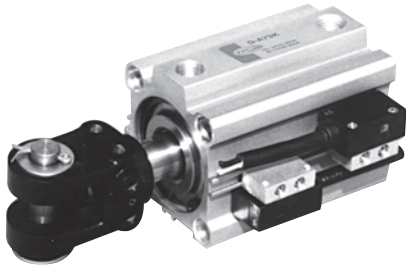


Series ADQCP

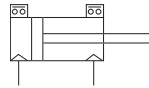
Compact Cylinder for Intense-Magnetism Resistant

Bore Size(mm) : Ø50, Ø63



- FOR WELDING MACHINE/INTENSE MAGNET FIELD
- SIZE/Ø50, Ø63

Symbol



How to Order



1 Series

Blank : Rc(PT)
U : NPT

2 Intense-Magnetism Resistant Auto Switch Attached Compact Cylinder Exclusively for Welding Machine, Coil Scraper Equipped

* CP : H Size M16×1.5
BP : H Size M18×1.5
Refer to H2 Size

3 Bore Size

50 : 50mm(2 Nom.)
63 : 63mm(2 ½ Nom.)

4 Standard Stroke(mm)

Ø50 : 25, 30, 35, 40, 45, 50
Ø63 : 25, 30, 35, 40, 45, 50

5 Double Action Type : DM

6 Rod End Option

Blank : None
Y : Double knuckle joint pin, plain washer, division pin attached(CP Type Only)

7 Series

Blank : Standard type
XC16 : Copper free

8 Types of Auto Switch

Blank : None
W6 : 120V AC, OFF Lighting
W7 : 24V DC, ON Lighting

9 Switch Lead Wire Length

L : 3m
Z : 5m

10 Auto Switch Additional Symbol

Blank : 2 pcs
S : 1 pc
N : N pcs

Components for Auto Switch

Switch Type	Component Number	
	Ø50	Ø63
W6, W7	BQP1T-050	

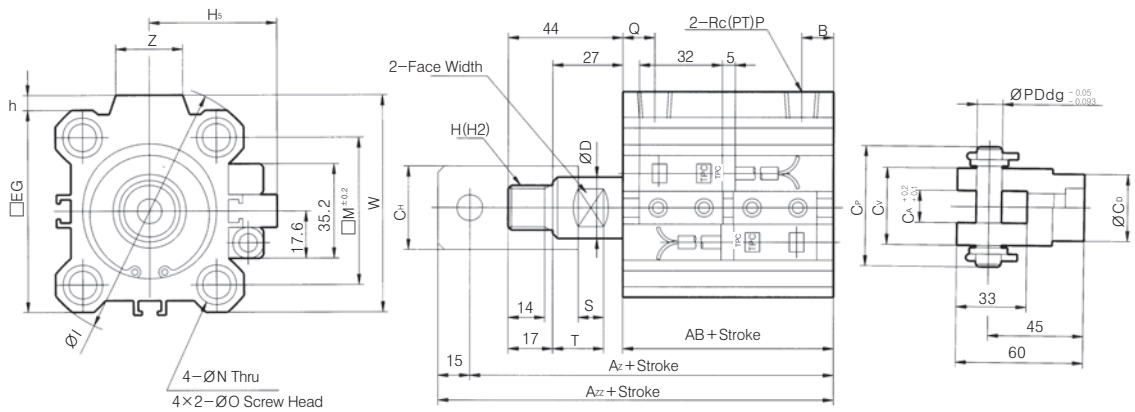
Standard Specification

Type	ADQCP
Applied Fluid	Air
Bore Size	Ø50, Ø63
Stroke	Refer to Standard Stroke Table
Max. Operating Pressure	1.0MPa(9.9kgf/cm ²)
Proofing Pressure	1.5MPa(15kgf/cm ²)
Vicinity and Applied Fluid Temperature	5~60°C
Rod end Thread Allowance	KS Level 2
Stroke Length Allowable	+1.0 0

- ACP
- APM
- AS
- AX
- AM2
- AM
- AL
- ALX
- AQ
- ADQ
- AQ2
- ADQ2
- AJ
- AJM
- ABK
- ACK1
- NSK
- AG
- NGQ
- AGX
- GX
- NP
- ADR
- AMR
- NDM
- ARD
- NST
- AST
- ASTH
- NLCD
- NLCS

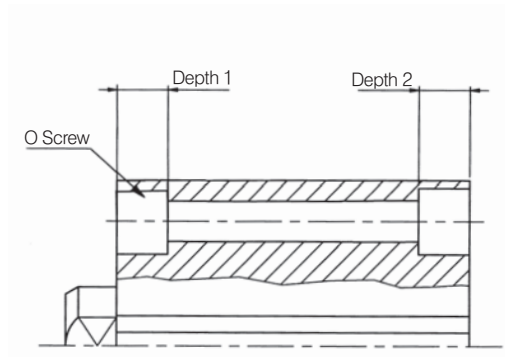
Series ADQCP

Double Knuckle Joint



Bore Size (mm)	AA	Az	Azz	AB	ØD	EGG	B	H(CP)	H2(BP)	Ø1	J	K	M	ØN	ØO	P	Q	W	Z	T	S	Hs	Cp	Cv	C1	PD	C1	C2
50	99.5	117.5	132.5	55.5	20	64	10.5	M16×1.5	M18×1.5	86	7	17	50	6.6	11Depth 8	1/4	10.5	71	22	20	10	49	55	36	16	12	30	30
63	105	123	138	61	20	77	10.5	M16×1.5	M18×1.5	103	7	17	60	9	14Depth 10.5	1/4	15	84	22	20	10	55.5	55	36	16	12	30	30

CP Type

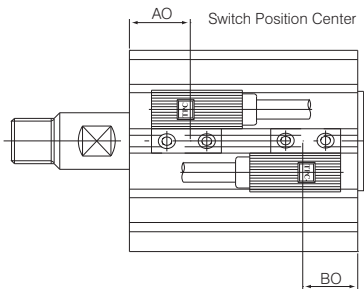


	Depth 1	Depth 2
Ø50	8	8
Ø63	10.5	11

Available Minimum Stroke For Intense-Magnetism Resistant Switch Attachment

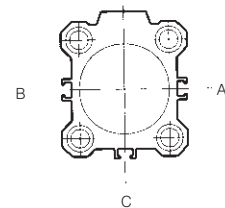
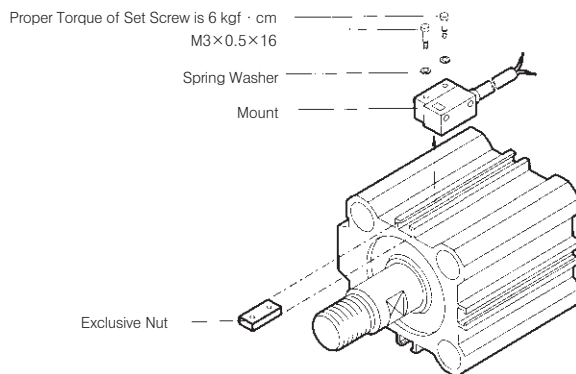
Switch Attaching Position	Attaching at the Same Surface			
		Attaching at the Same Surface	Attaching at Rear Surface	Attaching at Rear Surface
Bore Size				
ADQCP Ø50, 63	25	30	25	

Proper Attaching Position of Auto Switch (End of Stroke)



Cylinder Type	50		63	
	AO	BO	AO	BO
ADQCP	33.5	22.5	37.5	24

How to Attach Auto Switch



It is possible to attach auto switch at 3 positions of A, B, C.

- ACP
- APM
- AS
- AX
- AM2
- AM
- AL
- ALX
- AQ
- ADQ
- AQ2
- ADQ2
- AJ
- AJM
- ABK
- ACK1
- NSK
- AG
- NGQ
- AGX
- GX
- NP
- ADR
- AMR
- NDM
- ARD
- NST
- AST
- ASTH
- NLCD
- NLCS