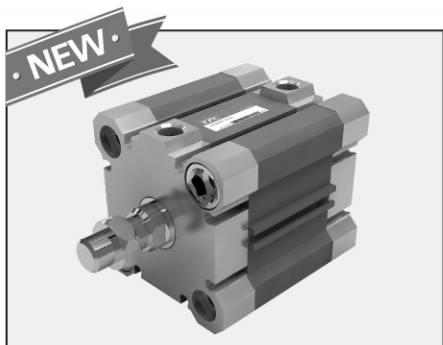


# AQ3 Series

Compact Cylinder (Square Body Shape) : ISO 21287 Standard / Bore Size :  $\phi 50, \phi 63$

Actuator  
Cylinder

AQ3 Series



- Space-saving cylinder
- Ideal for small space requirements
- Unadjustable air cushion provided by default



Double-acting : single rod

## How to Order

**A** **D** **Q 3** **A** **50** - **30** **D** **M** - **A73K** **S**

1 2 3 4 5 6 7 8

### 1 Auto Switch

Blank : None  
D : Auto switch mounted  
(built-in magnet)

### 2 Mounting

A : Through hole, both ends  
tapped (standard)

### 3 Bore Size

50 : 50mm  
63 : 63mm

### 4 Stroke(mm)

$\phi 50, \phi 63$  : 5, 10, 15, 20, 25, 30, 35  
40, 45, 50, 75, 100

※ Manufacture of Intermediate Stroke  
Intermediate strokes by the 1mm interval by using  
an exclusive body with the specified stroke are  
available.  
ex) With AQ3A-27D, manufacture 27 stroke tube.

### 5 Action

D : Double-acting

### 6 Body Option

Blank : Standard (rod end female thread)  
M : Rod end male thread

### 7 Auto Switch

Blank : No auto switch (built-in magnet cylinder)  
Reed Auto Switch

A73K : D-A73K

W8H : Micro reed switch (horizontal, 2 wires)

W8V : Micro reed switch (vertical, 2 wires)

W9H(L) : Micro solid state switch  
(Horizontal, 2 wires)

W9V : Micro solid state switch (Vertical, 2 wires)

W9HN : Micro solid state switch (Horizontal, 3 wires)

W9VN : Micro solid state switch (Vertical, 3 wires)

W2P(L) : Grommet type switch (Horizontal, 2 wires)

※ Refer to page 235 for more information.

### 8 Number of Switches

Blank : 2 pcs

S : 1 pc

N : n pcs

## Specifications

Action	Non-Lube
Fluid	Air
Proof Pressure	1,5MPa(15,3kgf/cm <sup>2</sup> )
Max. Operating Pressure	1,0MPa(10,2kgf/cm <sup>2</sup> )
Ambient & Fluid Temp.	5°C ~ 70°C (No freezing)
Thread Tolerance	KS 2 Class
Stroke Length Tolerance	+1,0mm 0
Piston Speed	50 ~ 500mm/s
Cushion	Unadjustable air cushion (Basic)
Mounting Type	Through hole, both ends tapped (Standard)