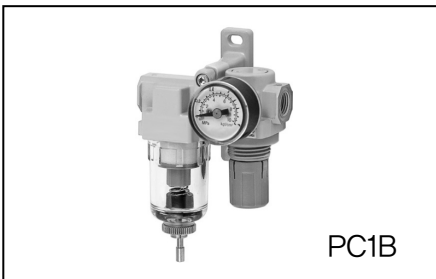


PC1 Series

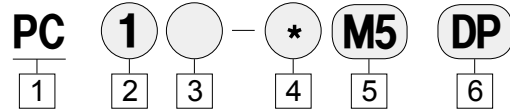
Combination M5

Air preparation unit

PC1 Series



How to Order



1 Series(Combination Unit)

2 Body Size
1 : 1/8

3 Combination

Blank : Filter-Regulator-Lubricator
A : Piggyback-Lubricator
B : Filter-Regulator

4 Screw

Blank : Rc
N : NPT
G : G(PF)

4 Port Size

M5 : M5

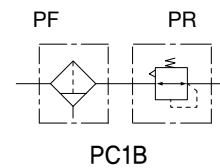
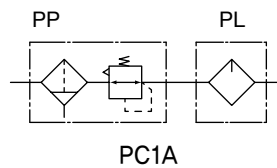
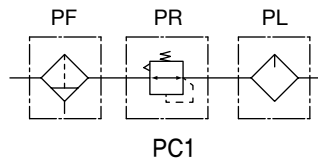
5 Component

Blank : Non Bracket/gauge
B : Bracket
D : Auto Drain
P : Pressure gauge Exterior
Note1) Differential pressure type
Auto Drain

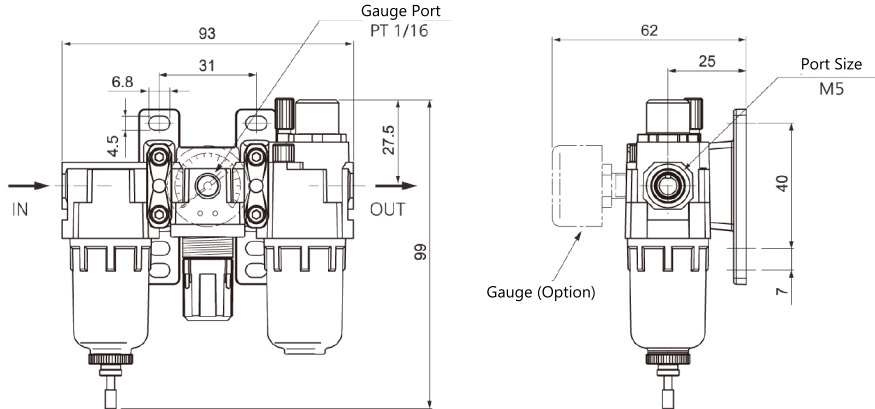
Specifications

Combination	PC1, PC1A, PC1B	
Fluid	Pressed Air	
Max.operating pressure(MPa)	Proof pressure(MPa)	10bar (1.0MPa) 15bar (1.5MPa)
Ambient and fluid temperature (°C)	-5~60(With no freezing)	
Set pressure(MPa)	0.5~8.5bar(0.05~0.85MPa)	
Filtration rating(μm)	10μm (Option : 2, 5, 20, 40)	
Recommended lubricant	ISO VG32(Class 1 turbine oil)	
Bowl material	Polycarbonate (Option : ALDC)	
Contruction	Relieving type	

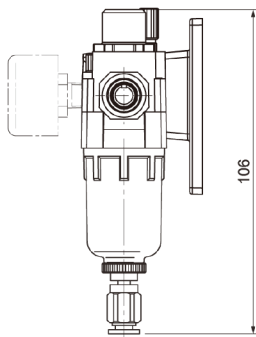
Symbol



■ PC1 Dimensional Drawing



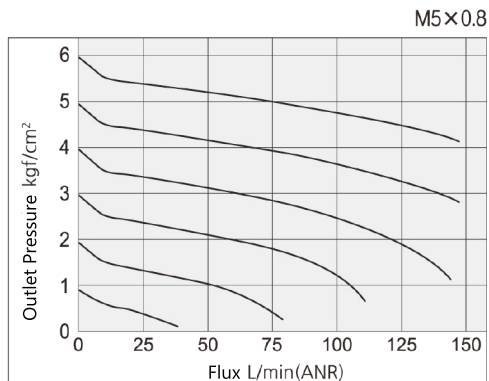
■ Dimensions when options are attached



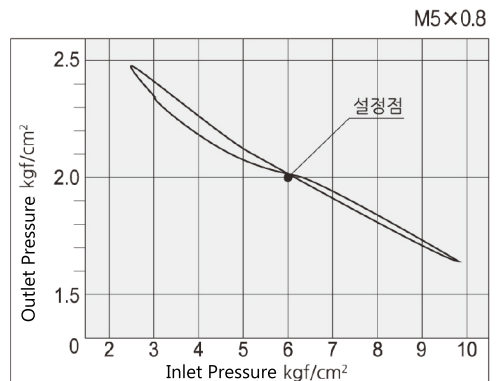
Auto drain
(differential pressure type) attached

Option	D : Auto drain (differential pressure type)	P : Gauge
Product Name	<p>Φ4mm One-touch fitting</p>	<p>G25, R1/16</p>

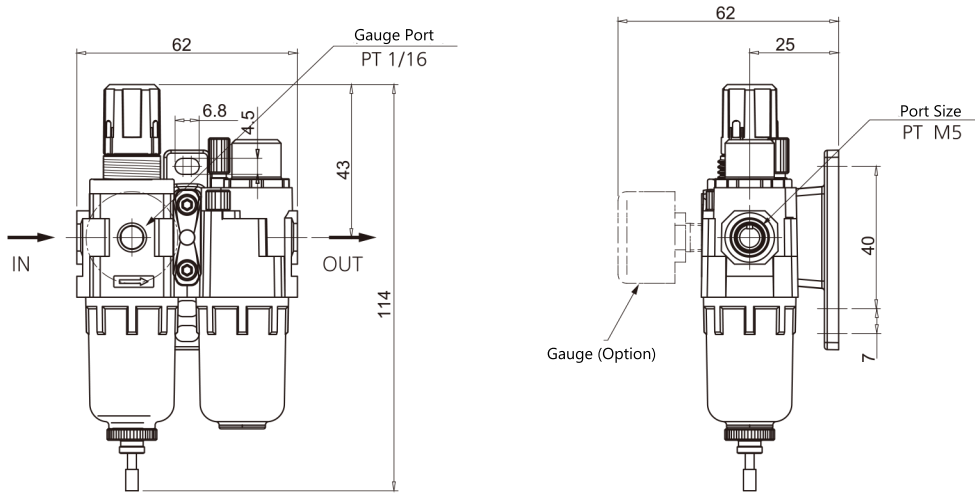
■ Flow Characteristics



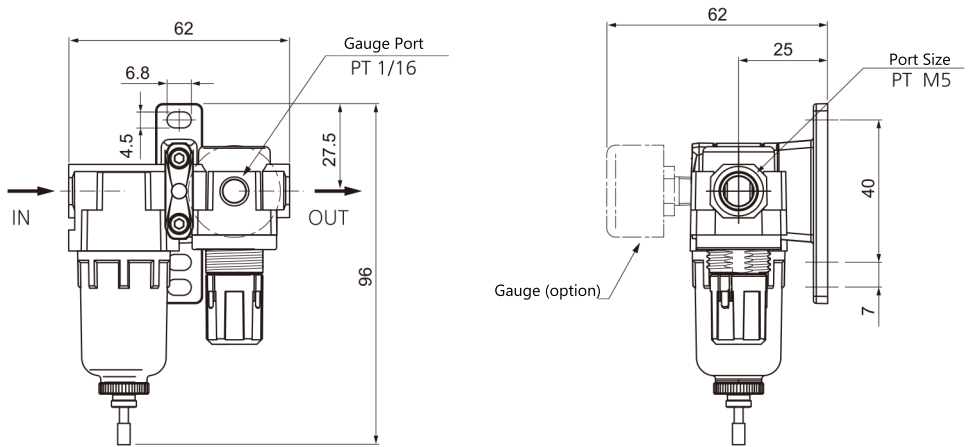
■ Pressure Characteristics



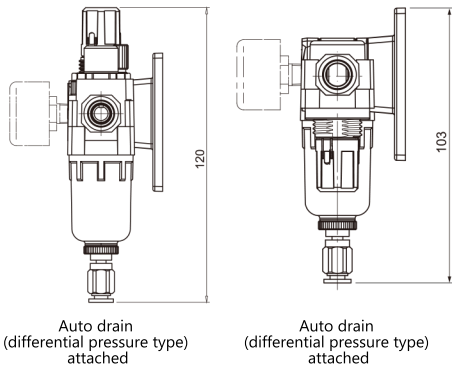
■ PC1A Dimensional Drawing





■ PC1B Dimensional Drawing



■ PC1A/PC1B Dimensions when options are attached



Option	D : Auto-drain (differential pressure type) <small>OPTION</small>	G : Gauge
Product Name	 $\Phi 4\text{mm}$ One-touch fitting	 G25, R1/16