

Series **PL2**

Lubricator 1/8" and 1/4"

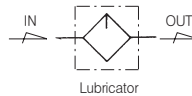


Standard Specifications

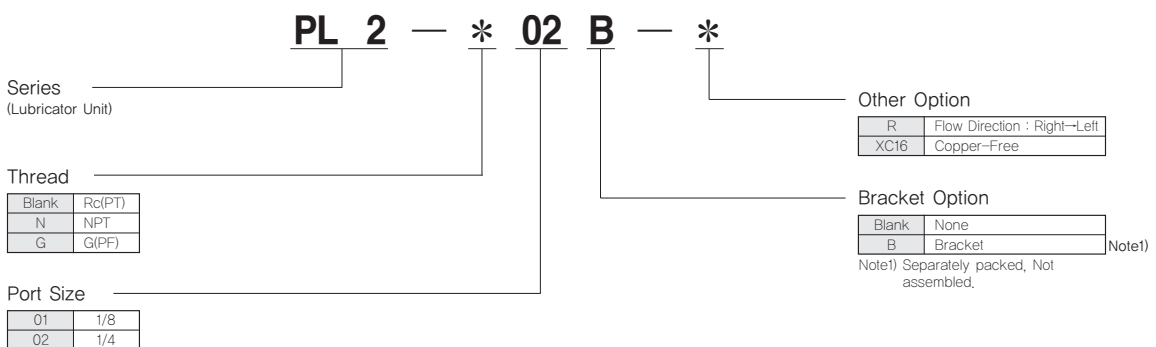
Fluid	Air	
Max. Operating Pressure (MPa)	1.0(140psi)	
Proof Pressure (MPa)	1.5(200psi)	
Min Operating Flow (N ℓ /min)	15(0.5scfm)(1/4 ")	
Bowl Capacity (cm ³)	18(0.61oz)	
Ambient and Fluid Temperature (°C)	-5~60(23~140°F)(Non-freezing)	
Flow Capacity ※ (N ℓ /min)	1/8 "	1,000(32scfm)
	1/4 "	1,700(57scfm)
Bowl Material	Polycarbonate	
Bowl Guard Material	Nylon	
Recommended Oil	ISO VG32(Turbine Oil 1 Class)	
Weight (kg)	0.14(0.31lb)	

※ Test conditions : Supply pressure 0.6MPa(90psi), Pressure drop 0.05MPa(7psi)

Symbol

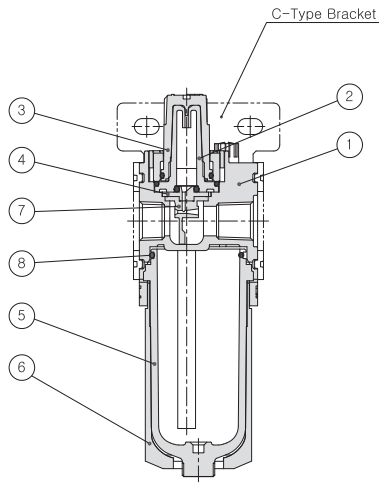


How to Order



Series PL2

Construction



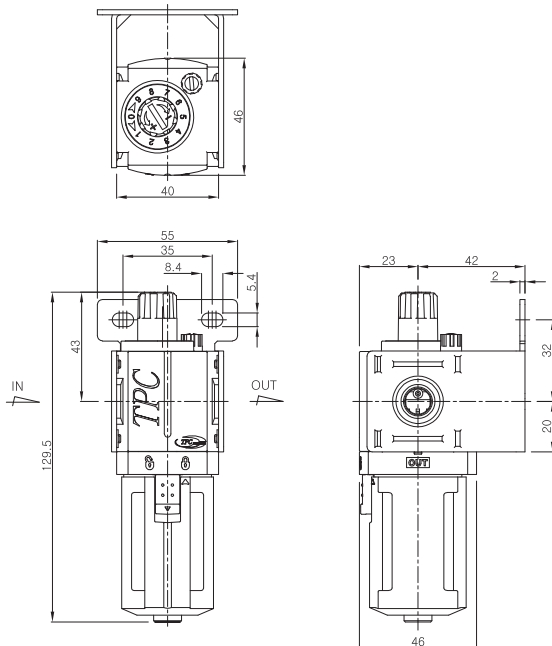
Main Parts/Part List

No.	Description	Material	Remark
①	Body	Aluminum	
②	Inner Sight Dome	Nylon(Clear)	
③	Outer Sight Dome	Nylon(Clear)	
④	Damper Plate	Acetal	
⑤	Bowl	Polycarbonate	
⑥	Bowl Guard	Nylon	

Replacement Parts/Parts List

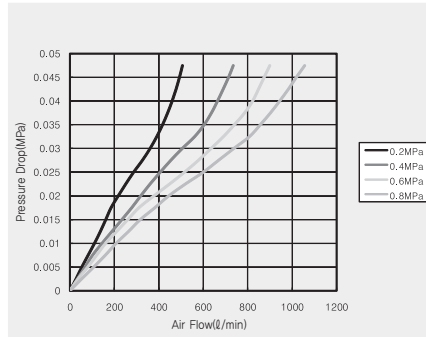
No.	Description	Material	Part No.
⑦	Damper	NBR	PL2-34-001-01
⑧	Bowl O-ring	NBR	DX2R-53-3000

Dimensions

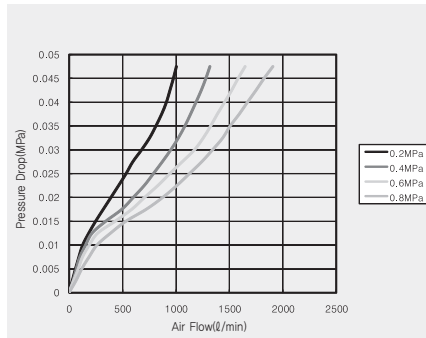


Flow Characteristics

▶ 1/8" PL2



▶ 1/4" PL2



PC2

PF2

PR2

PL2

PP2

PC3

PF3

PR3

PL3

PP3

PC4

PF4

PR4

PL4

PP4

PC5

PF5

PR5

PL5

PP5

PFH(U)2~
PFH(U)5

PPH(U)3~
PPH(U)4

PLV

PSH

PCV

MB