

Series **PL4**

Lubricator 3/8" and 1/2"

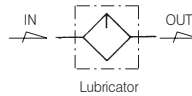


Standard Specifications

Fluid	Air	
Max. Operating Pressure (MPa)	1.0(140psi)	
Proof Pressure (MPa)	1.5(200psi)	
Min Operating Flow (N ℓ /min)	50(1.8scfm)(1/2")	
Bowl Capacity (cm ³)	127(4.29oz)	
Ambient and Fluid Temperature (°C)	-5~60(23~140°F)(Non-freezing)	
Flow Capacity ※ (N ℓ /min)	3/8"	2,400(85scfm)
	1/2"	4,500(159scfm)
Bowl Material	Poly carbonate	
Bowl Guard Material	Nylon	
Recommended Oil	ISO VG32(Turbine oil 1 class)	
Weight(kg)	0.54(1.19lb)	

※ Test conditions : Supply pressure 0.6MPa(90psi), Pressure drop 0.05MPa(7psi)

Symbol



How to Order

Series (Lubricator Unit) **PL 4** — * **04 B** — *

Thread

Blank	Rc(PT)
N	NPT
G	G(PF)

Port Size

03	3/8
04	1/2

Other Option

R	Flow Direction : Right → Left
XC16	Copper-free

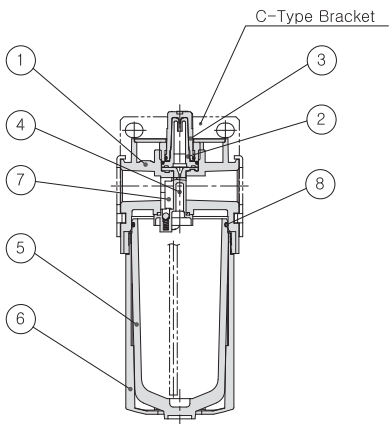
Bracket Option

Blank	None
B	Bracket

Note1) Separately packed. Not assembled.

Series PL4

Construction



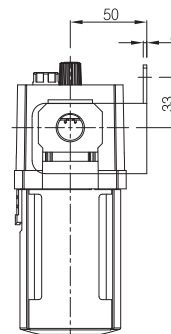
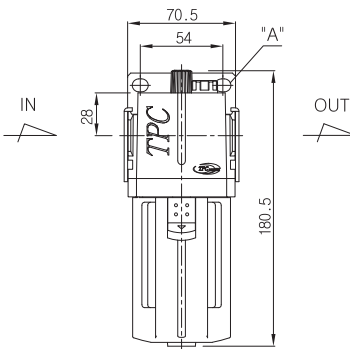
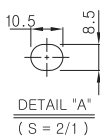
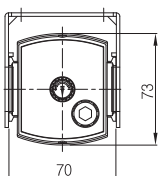
Main Parts/Parts List

No.	Description	Material	Remark
①	Body	Aluminum	
②	Inner Sight Dome	Nylon(Transparent)	
③	Outer Sight Dome	Nylon(Transparent)	
④	Damper Plate	Acetal	
⑤	Bowl	Polycarbonate	
⑥	Bowl Guard	Nylon	

Replacement Parts/Parts List

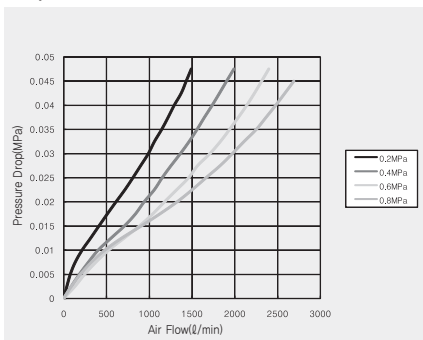
No.	Description	Material	Part No.
⑦	Damper	NBR	PL4000-14-6100-01
⑧	Bowl O-ring	NBR	TAF4000-08-6000

Dimensions

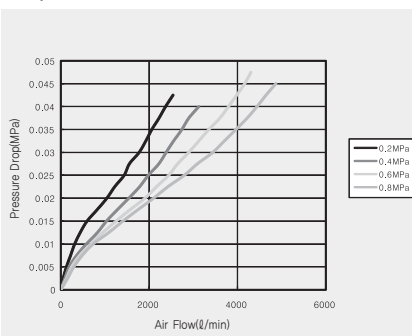


Flow Characteristics

▶ 3/8" PL4



▶ 1/2" PL4



- PC2
- PF2
- PR2
- PL2
- PP2
- PC3
- PF3
- PR3
- PL3
- PP3
- PC4
- PF4
- PR4
- PL4**
- PP4
- PC5
- PF5
- PR5
- PL5
- PP5
- PFH(U)2~
PFH(U)5
- PPH(U)3~
PPH(U)4
- PLV
- PSH
- PCV
- MB