

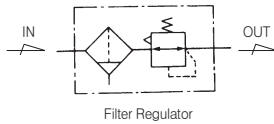
# Series PP2

## Piggyback 1/8" and 1/4"



PAT

Symbol



### Standard Specifications

Fluid	Air	
Max. Operating Pressure (MPa)	1.0(140psi)	
Proof Pressure (MPa)	1.5(200psi)	
Set Pressure (MPa)	Standard	0.05~1.0(7~140psi)
	Made to Order Specifications	0.05~0.2(7~30psi), 0.05~0.4(7~60psi)
Ambient and Fluid Temperature (°C)	-5~60(23~140° F)(NON-freezing)	
Flow Capacity ※ (N ℓ /min)	1/8"	1,200(42scfm)
	1/4"	1,300(46scfm)
Filtration (μm)	Standard : 5	
Construction	Relieving Style	
Bowl Material	Polycarbonate	
Bowl Guard Material	Nylon	
Drain Capacity (cm)	Manual Drain : 15, Auto Drain : 20	
Weight (kg)	0.23(0.5lb)	

※ Test conditions : Supply pressure 0.7MPa(100psi), pre-set 0.6MPa(90psi)

### How to Order

**PP 2 — \* 02 B D G — \***

Series (Piggyback Unit)

Thread

Blank	Rc(PT)
N	NPT
G	G(PF)

Port Size

01	1/8
02	1/4

Bracket Option

Blank	None
B	Bracket + Panel Nut
B1	Panel Nut

Note2) Separately packed, Not assembled.

#### Other Option

Blank	Set at 0 to 1.0 MPa, 5μm (Standard)		
2	Set at 0 to 0.2 MPa	K	Built-in Check Valve
4	Set at 0 to 0.4 MPa	R	Flow Direction : Right-Left
E	Non-Relieving Type	T	Tamper Resistant Kit
J2	Filter element - 20μm	XC16	Copper-free
J4	Filter element - 40μm		

Note1) Refer to page 935 for Built-in Check Valve, Tamper Resistant Kit.  
 \* If ordering more than one option, indicate symbols umerically then alphabetically Ex) 2EK  
 \* Over Max. pressure value can be set.

#### Pressure Gauge

Symbol	Description	Pressure Range
Blank	NO-Gauge	
G	Integral Pressure Gauge (W/Limit Indicator)	1.0MPa(140psi)
P	Pressure Gauge	1.0MPa(140psi)
P2	Pressure Gauge	0.2MPa(30psi)
P4	Pressure Gauge	0.4MPa(60psi)

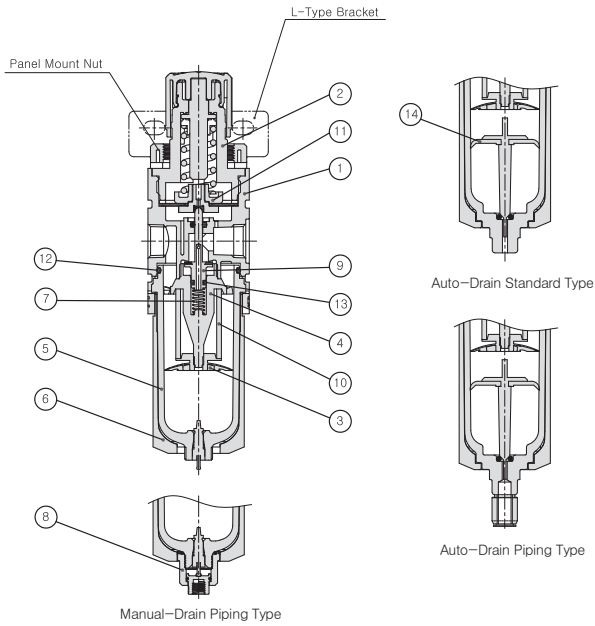
#### Drain Option

Blank	Manual Push Drain	
D	Auto Drain (N.O Type)	Note3)
D2	Auto Drain	
D5	Manual Drain	

Note3) Min. operating pressure is 0.15MPa(20psi) for Auto Drain(N.O Type)

# Series PP2

## Construction



### Main Parts/Parts List

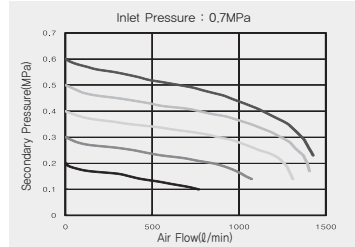
No.	Description	Material	Remark
①	Body	Aluminum	
②	Bonnet	Nylon	
③	Baffle	Acetal	
④	Deflector	Nylon	
⑤	Bowl	Polycarbonate	
⑥	Bowl Guard	Nylon	
⑦	Valve Spring	Stainless Steel	
⑧	Manual-Drain Pipe Ass'y	-	

### Replacement Parts/Parts List

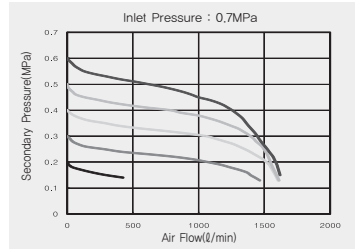
No.	Description	Material	Part No.
⑨	Valve Ass'y	Brass+NBR	PP2-08-001-01
⑩	Filter Element	Polyethylene	PF2-24-005-01
⑪	DiaphrAgm Ass'y	Nylon+NBR	PR2-11A001-01
⑫	Bowl O-ring	NBR	DX2R-53-3000
⑬	Valve O-ring	NBR	S4-01
⑭	Auto Bowl Ass'y (Auto-Drain Ass'y Included)	-	PF2-26A002-01

## Flow Characteristics

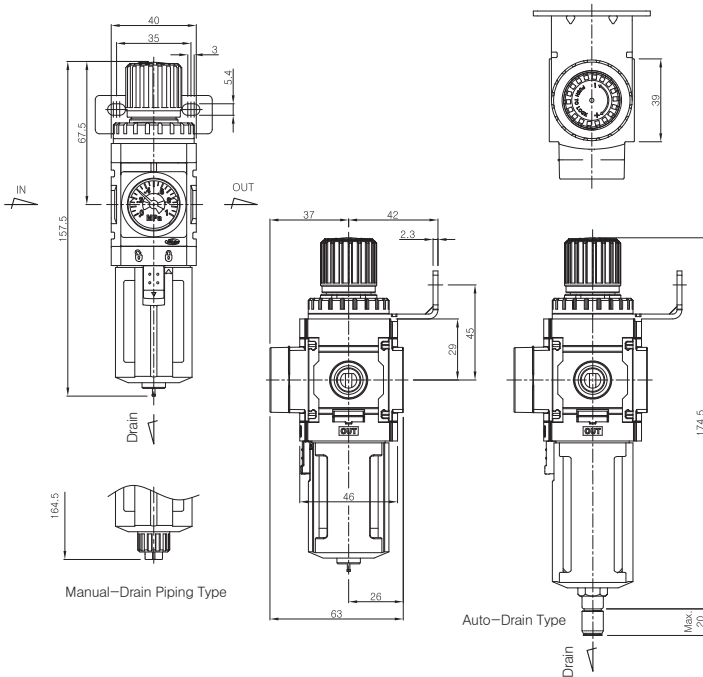
### ▶ 1/8" PP2



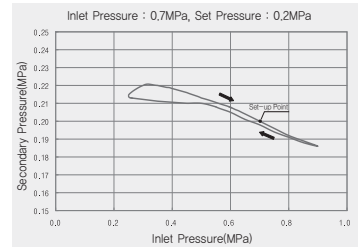
### ▶ 1/4" PP2



## Dimensions



## Pressure Characteristics



PC2

PF2

PR2

PL2

**PP2**

PC3

PF3

PR3

PL3

PP3

PC4

PF4

PR4

PL4

PP4

PC5

PF5

PR5

PL5

PP5

PPH(U)2~  
PFH(U)5

PPH(U)3~  
PFH(U)4

PLV

PSH

PCV

MB