

Series PR3

Regulator 1/4" and 3/8"

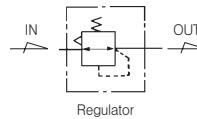


Standard Specifications

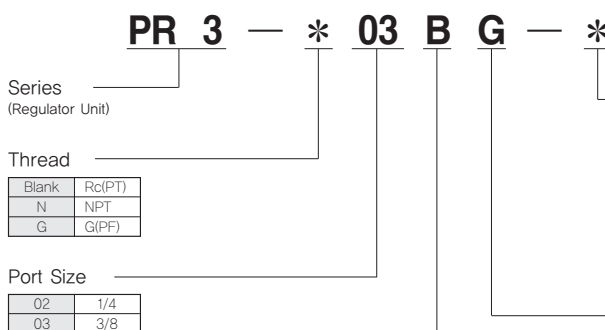
Fluid	Air	
Max. Operating Pressure (MPa)	1.0(140psi)	
Proof Pressure (MPa)	1.5(200psi)	
Set Pressure (MPa)	Standard	0.05~1.0(7~140psi)
	Made to Order Specifications	0.05~0.2(7~30psi), 0.05~0.4(7~60psi), 0.05~1.2(7~170psi)
Ambient and Fluid Temperature (°C)	-5~60(23~140°F) (Non-freezing)	
Flow Capacity ※ (N l /min)	1/4"	2,500(88scfm)
	3/8"	3,200(113scfm)
Construction	Relieving Style	
Port Size for Pressure Gauge (Rc (PT), NPT)	1/8"	
Weight (kg)	0.32(0.71lb)	

※ Test conditions : Supply pressure 0.7MPa(100psi), pre-set pressure 0.6MPa(90psi)

Symbol



How to Order



Other Option

Blank	Set at 0 to 1.0 MPa, Standard	K	Built-in Check Valve	Note1)
2	Set at 0 to 0.2 MPa	R	Flow Direction : Right → Left	
4	Set at 0 to 0.4 MPa	T	Tamper Resistant Kit	Note1,2)
12	Set at 0 to 1.2 MPa	XC16	Copper-free	
E	Non-Relieving Type			

Note1) Refer to page 935 for Built-in Check Valve, Tamper Resistant Kit.
 * If ordering more than one option, indicate symbols numerically then alphabetically Ex) 2EK
 * Over Max. pressure value can be set.

Pressure Gauge

Symbol	Description	Pressure Range
Blank	None	
G	Integral Pressure Gauge (W/Limit Indicator)	1.0MPa
P	Pressure Gauge	1.0MPa
P2	Pressure Gauge	0.2MPa
P4	Pressure Gauge	0.4MPa

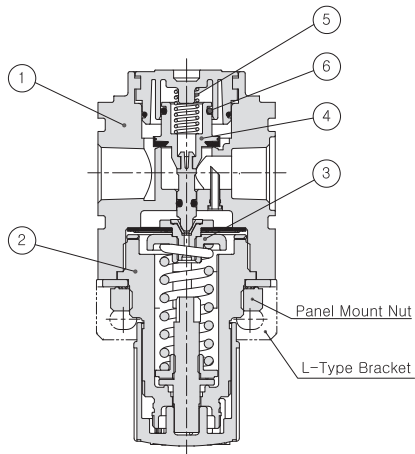
Bracket Option

Blank	None	
B	Bracket + Panel Nut	Note2)
B1	Panel Nut	

Note2) Separately packed, Not assembled.

Series PR3

Construction



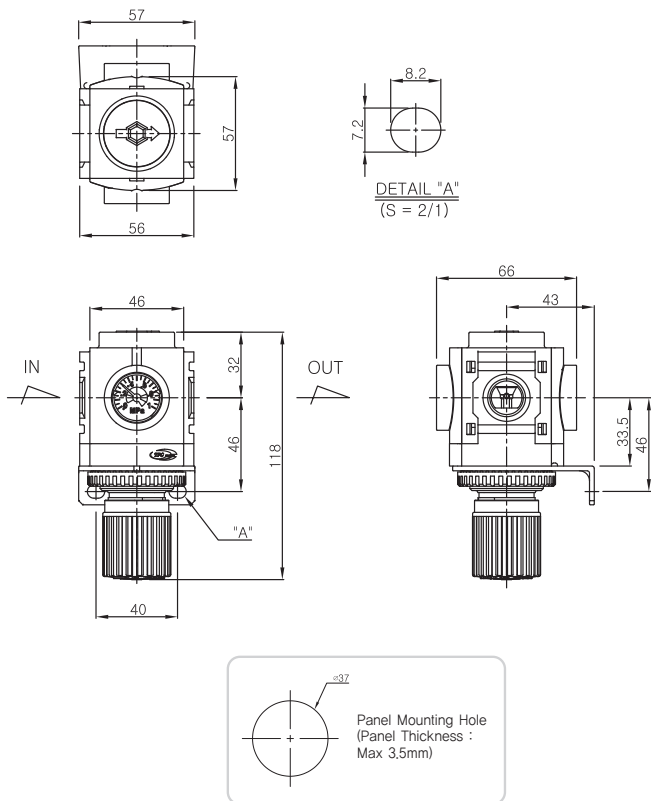
Main Parts/Parts List

No.	Description	Material	Remark
①	Body	Aluminum	
②	Bonnet	Nylon	

Replacement Parts/Parts List

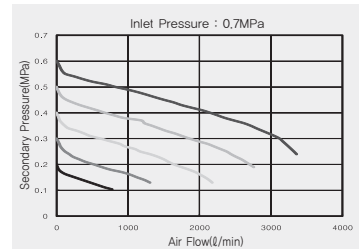
No.	Description	Material	Part No.
③	Diaphragm Ass'y	Nylon+NBR	PR3-11A001-01
④	Valve Ass'y	Nylon+NBR	PP4-08A001-01
⑤	Valve Spring	Stainless Steel	PR3-14-001-01
⑥	Valve O-ring	NBR	PR3-04-001-01

Dimensions

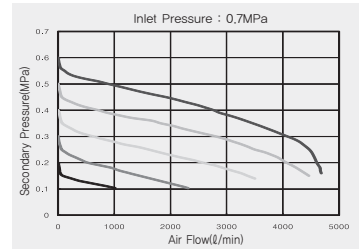


Flow Characteristics

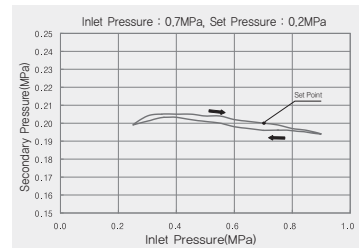
▶ 1/4" PR3



▶ 3/8" PR3



Pressure Characteristics



PC2

PF2

PR2

PL2

PP2

PC3

PF3

PR3

PL3

PP3

PC4

PF4

PR4

PL4

PP4

PC5

PF5

PR5

PL5

PP5

PPH(U)2~
PFH(U)5

PPH(U)3~
PPH(U)4

PLV

PSH

PCV

MB