

DMH Series

Hand lever valve

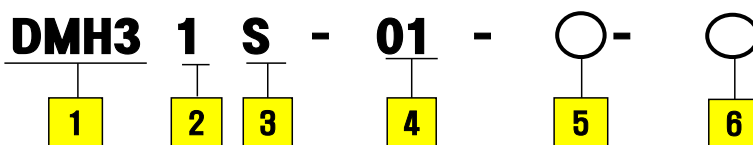


- Direct-acting type
- Improved maneuverability
- Variability of circuits
- Non-lubricate type
- Manifold attachable

Specifications

Model	Port	5 Port					3 Port	
	SERIES	DMH3	DMH4	DMH5	DMH4	DMH5	DMH4	DMH5
Fluid		Air, Inert gas						
Operating pressure		0~8Kgf/cm ²						
Ambient and fluid temperature		5 ~ 60 °C (41~140°F)						
Lubrication		Non-lube (class 1, ISO VG32)						
Effective orifice (mm ²)	2 position	3 position	2 position	3 position	2 position	3 position	2 position	
	13.5	11	18	11.5	36	30	18	36
Port size (PT/ NPT)	1/8		1/4		3/8		1/4	3/8
Actuator	Hand lever < Vertical / Horizontal >							
Symbol	 2Position Single		 2Position Double			 2Position		
	 3Position Close Center		 3Position Exhaust Center		 3Position Open Center			

How to order



1 DMH Series

DMH3 : 300 Series
DMH4 : 400 Series
DMH5 : 500 Series

3 Return type

S : Spring return
D : Double stationary type
※ S Type is not available for 2 p double.
※ D Type is not available for 2 p single.

5 Port connection type

Blank : PT(Rc)
N : NPT

2 Type of actuation

1 : 5Port 2Position Single
2 : 5Port 2Position Double
3 : 5Port 3Position Close Center
4 : 5Port 3Position Exhaust Center
5 : 5Port 3Position Open Center
6 : 3Port 2Position
※ 6 Type is only for DMH4, DMH5 series.

4 Port size

01 : 1/8 (300 Series)
02 : 1/4 (400 Series)
03 : 3/8 (500 Series)
※ 01 Type is only for 5 port.

6 Lever

Blank : Horizontal type
V : Vertical type
※ Manifold is only for V type.

DMH Series

How to order DMH3 5 port manifold (Vertical type)

DMH35M - 02

1

2

1 Series

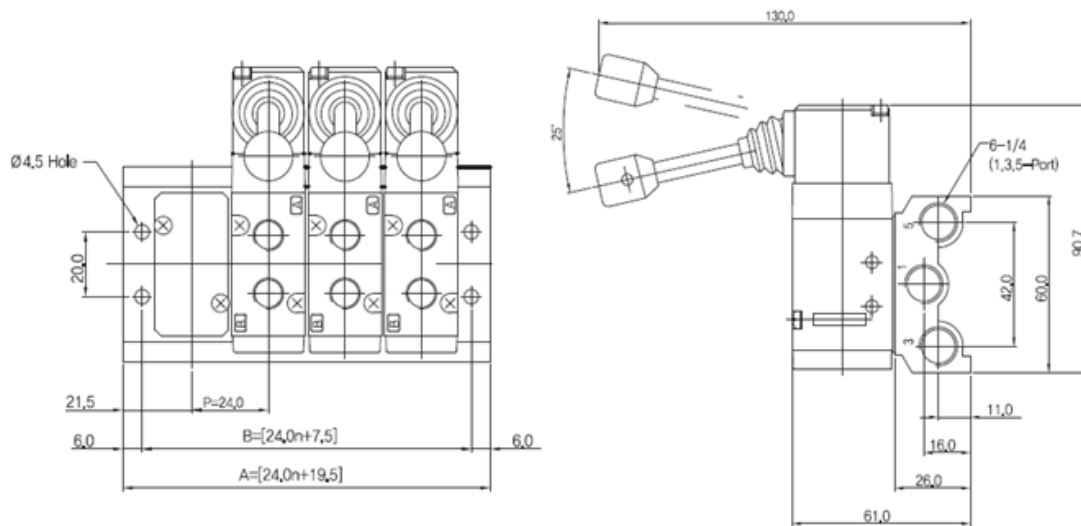
DMH3 5 port manifold (Vertical type)

2 Stations

02 : 2 stations manifold (Standard : 2 ~ 14 stations)

BLK : Blanking plate

SP : Packing & bolt set

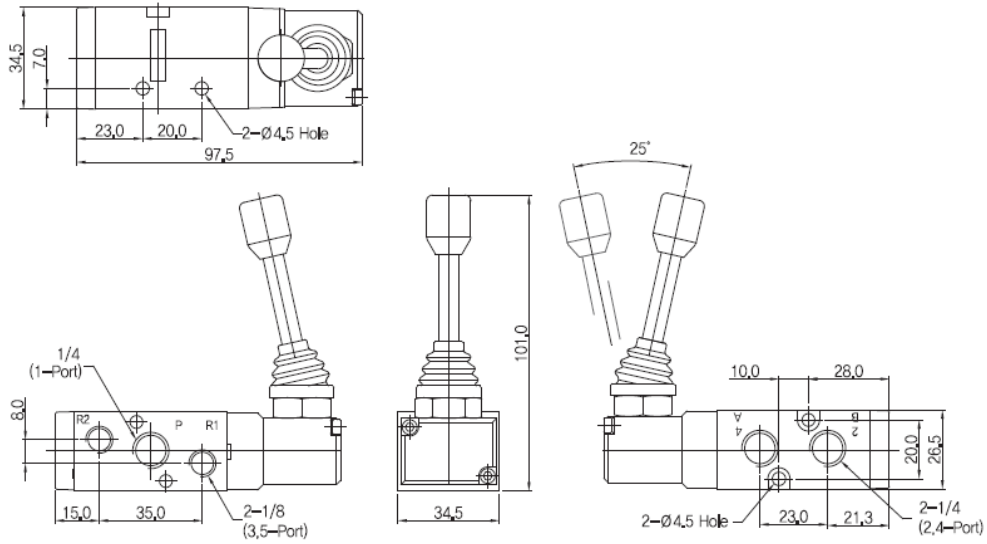


Dimensions

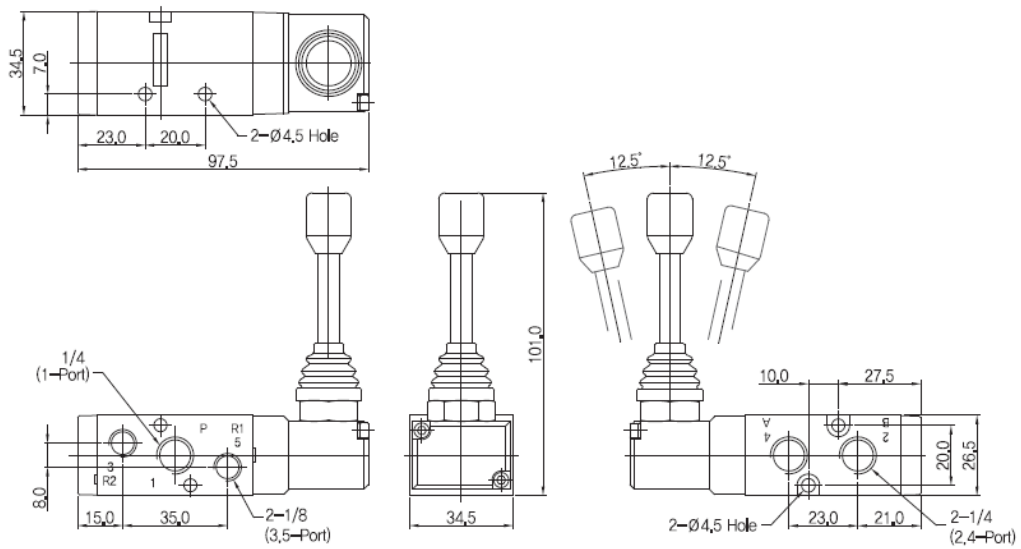
Stn Type	2	3	4	5	6	7	8	9	10	11	12	13	14
B	55.5	79.5	103.5	127.5	151.5	175.5	199.5	223.5	247.5	271.5	295.5	319.5	343.5
A	67.5	91.5	115.5	139.5	163.5	187.5	211.5	235.5	259.5	283.5	307.5	331.5	355.5

DMH Series

DMH4 horizontal 5 port 2 position hand lever valve

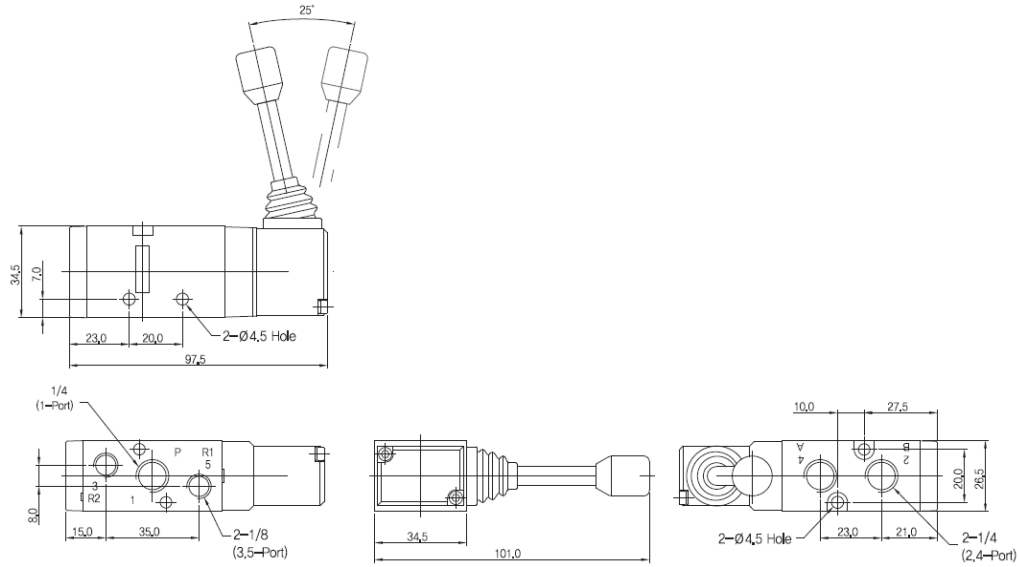


DMH4 horizontal 5 port 3 position hand lever valve

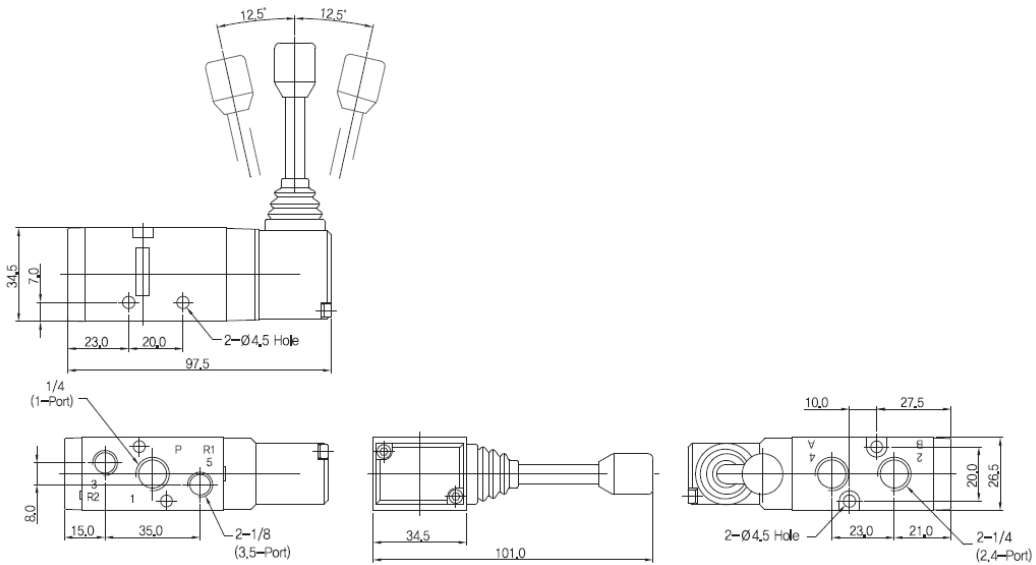


DMH Series

DMH4 vertical 5 port 2 position hand lever valve



DMH4 vertical 5 port 3 position hand lever valve



DMH Series

How to order DMH4 5 port manifold (Vertical type)

DMH45M - 02

1

2

1 Series

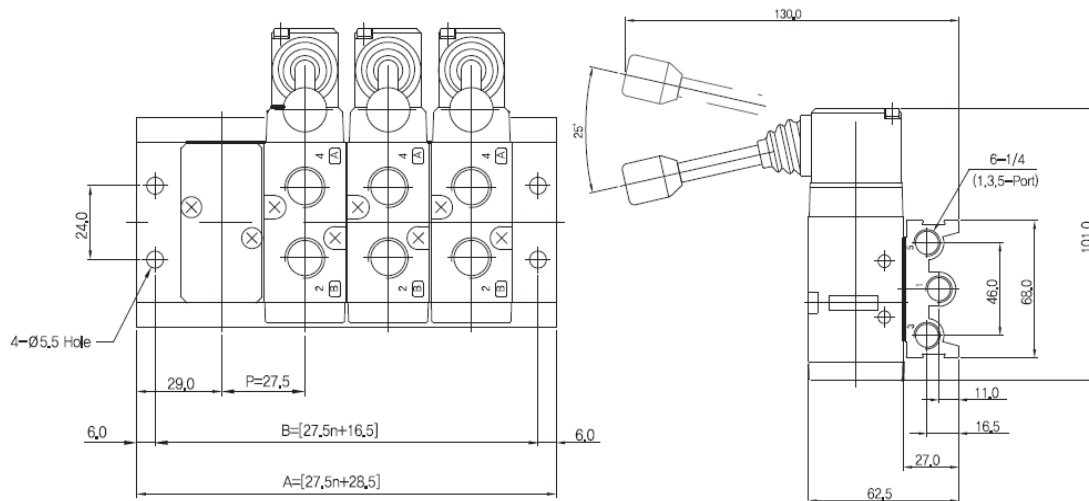
DMH4 5 port manifold (Vertical type)

2 Stations

02 : 2 stations manifold (Standard : 2 ~ 14 stations)

BLK : Blanking plate

SP : Packing & bolt set



Dimensions

Stn Type	2	3	4	5	6	7	8	9	10	11	12	13	14
B	71.5	99.0	126.5	154.0	181.5	209.0	236.0	264.0	291.5	319.0	346.5	374.0	401.5
A	83.5	111.0	138.5	166.0	193.5	221.0	248.5	276.0	303.5	331.0	358.5	386.0	413.5

DMH Series

How to order DMH4 3 port manifold (Vertical type)

DMH43M - 02

1

2

1 Series

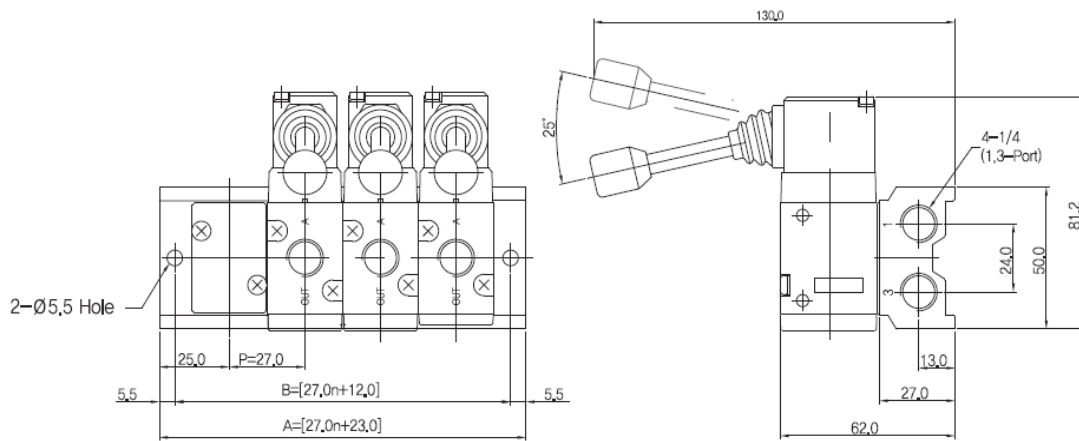
DMH4 3 port manifold (Vertical type)

2 Stations

02 : 2 stations manifold (Standard : 2 ~ 12 stations)

BLK : Blanking plate

SP : Packing & bolt set

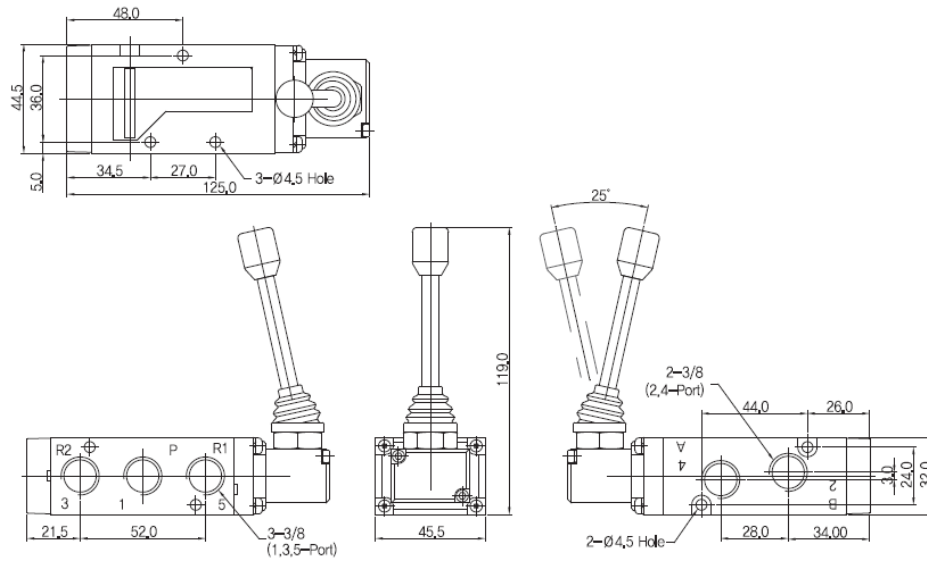


Dimensions

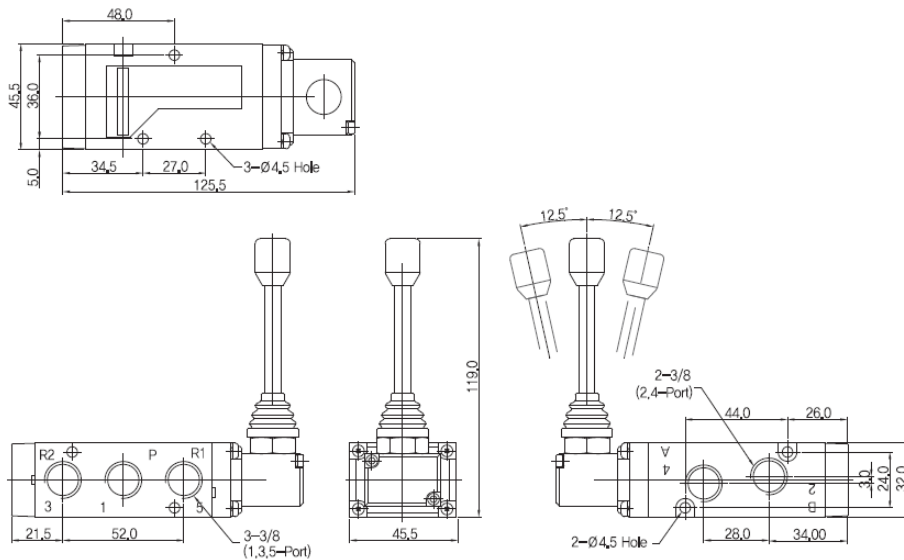
Stn Type	2	3	4	5	6	7	8	9	10	11	12
B	66.0	93.0	120.0	147.0	174.0	201.0	228.0	255.0	282.0	309.0	336.0
A	77.0	104.0	131.0	158.0	185.0	212.0	239.0	266.0	293.0	320.0	347.0

DMH Series

DMH5 horizontal 5 port 2 position hand lever valve

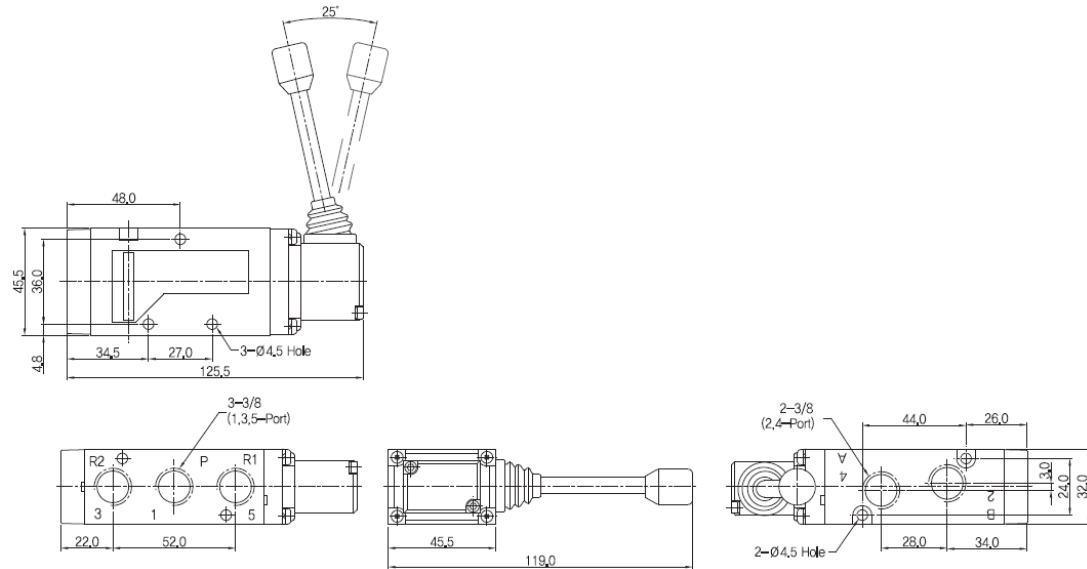


DMH5 horizontal 5 port 3 position hand lever valve

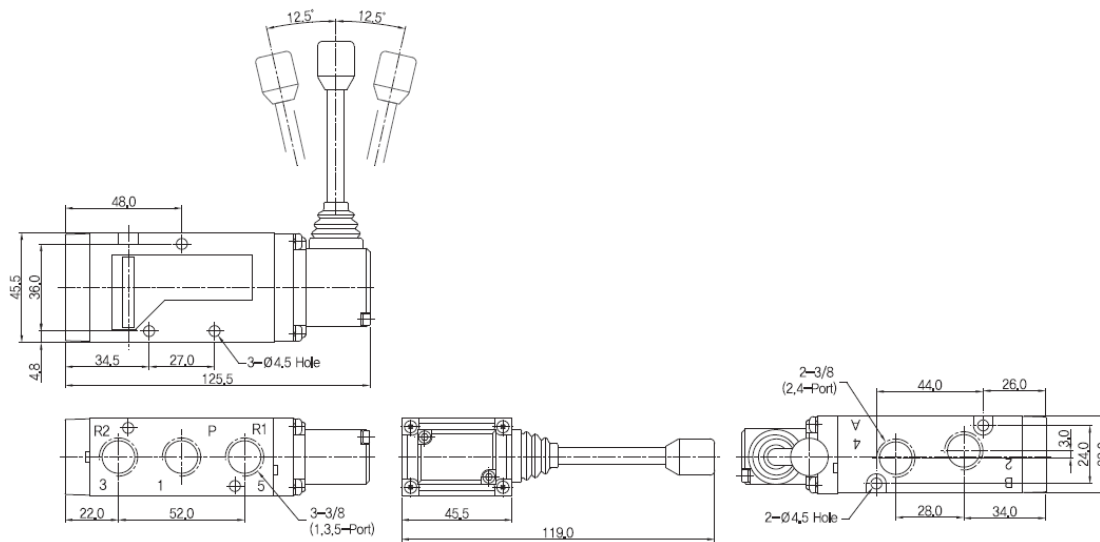


DMH Series

DMH5 vertical 5 port 2 position hand lever valve



DMH5 vertical 5 port 3 position hand lever valve



DMH Series

How to order DMH5 5 port manifold (Vertical type)

DMH55M - 02

1

2

1 Series

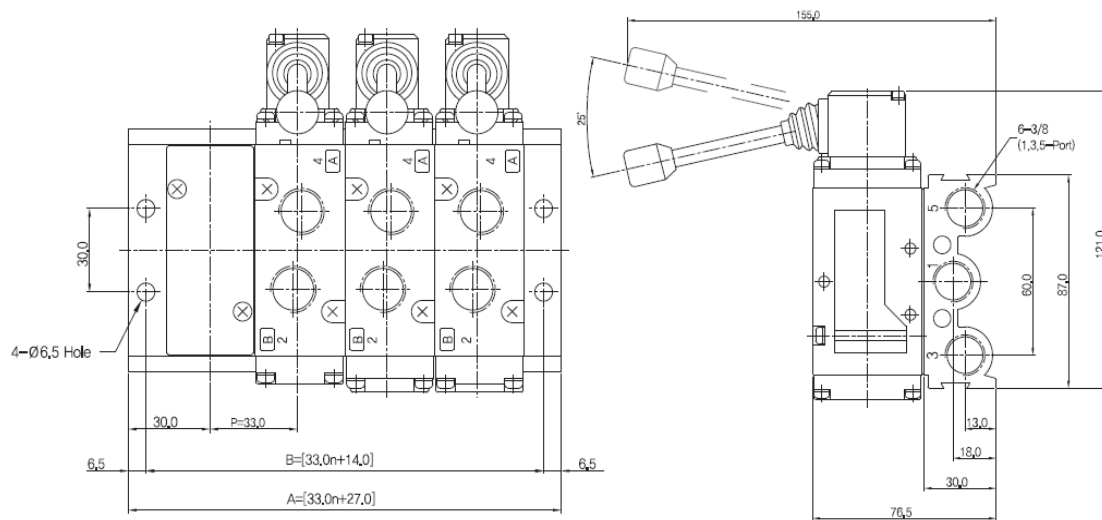
DMH5 5 port manifold (Vertical type)

2 Stations

02 : 2 stations manifold (Standard : 2 ~ 14 stations)

BLK : Blanking plate

SP : Packing & bolt set

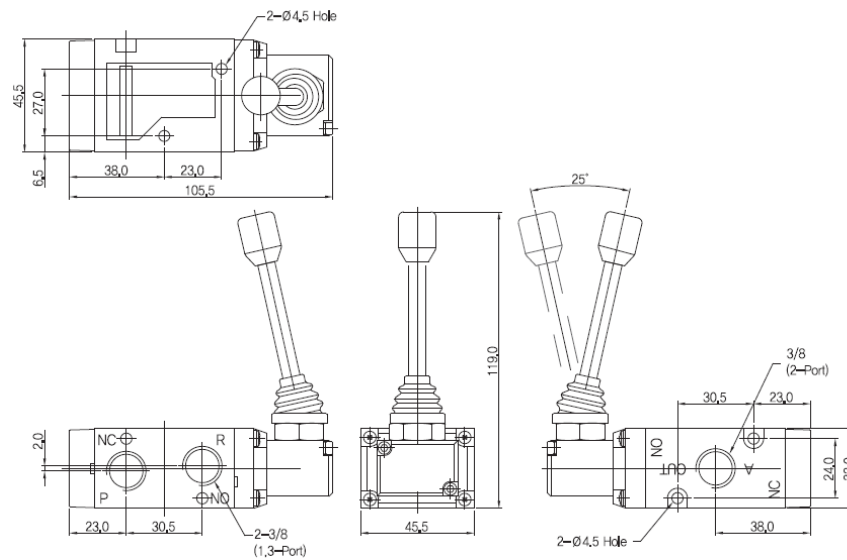


Dimensions

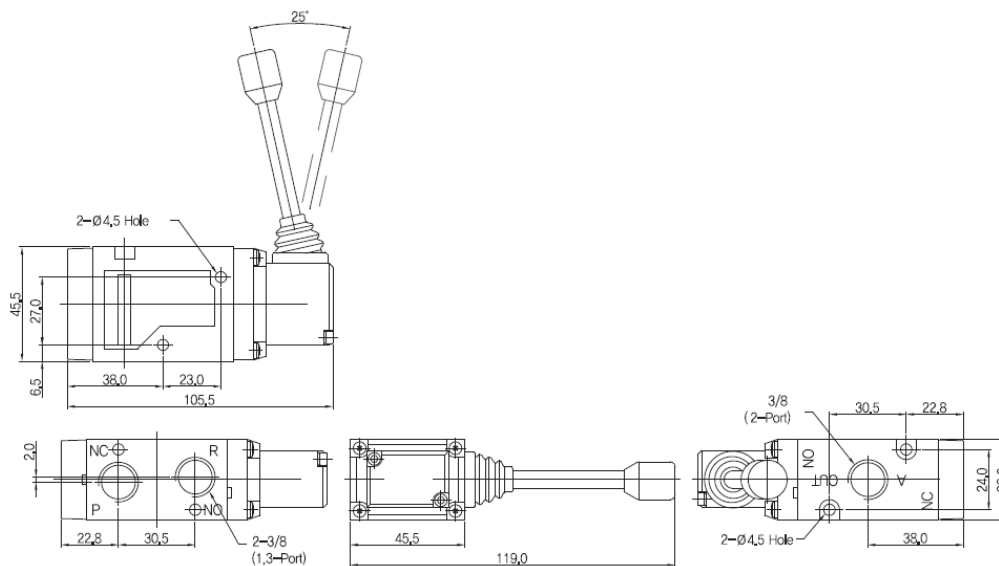
Stn Type	2	3	4	5	6	7	8	9	10	11	12	13	14
B	80.0	113.0	146.0	179.0	212.0	245.0	278.0	311.0	344.0	377.0	410.0	443.0	476.0
A	93.0	126.0	159.0	192.0	225.0	258.0	291.0	324.0	357.0	390.0	423.0	456.0	489.0

DMH Series

DMH5 horizontal 3 port 2 position hand lever valve

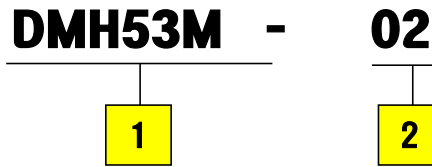


DMH5 vertical 3 port 2 position hand lever valve



DMH Series

How to order DMH5 3 port manifold (Vertical type)



1 Series

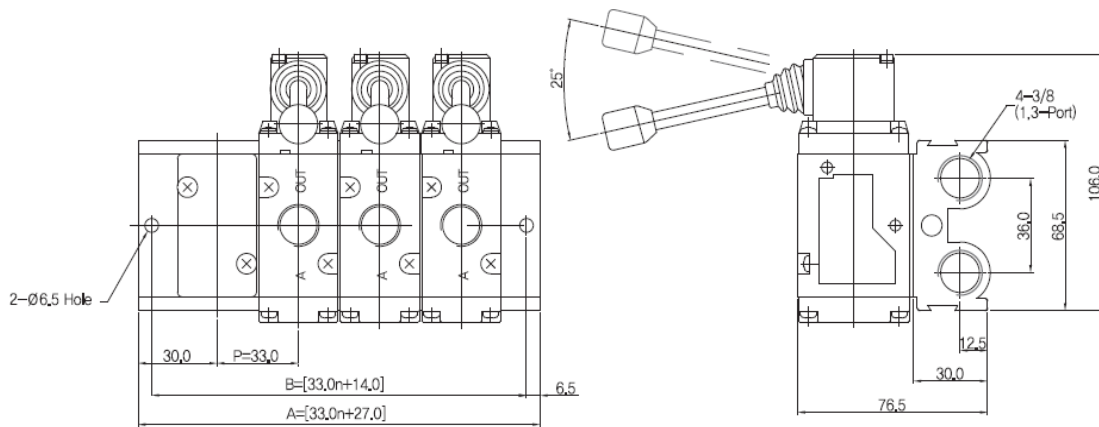
DMH5 3 port manifold (Vertical type)

2 Stations

02 : 2 stations manifold (Standard : 2 ~ 12 stations)

BLK : Blanking plate

SP : Packing & bolt set



Dimensions

Stn Type	2	3	4	5	6	7	8	9	10	11	12
B	80.0	113.0	146.0	179.0	212.0	245.0	278.0	311.0	344.0	377.0	410.0
A	93.0	126.0	159.0	192.0	225.0	258.0	291.0	324.0	357.0	390.0	423.0

300 5 port manifold

Station \ Option	2	3	4	5	6	7	8	9	10	11	12	13	14
B	55.5	79.5	103.5	127.5	151.5	175.5	199.5	223.5	247.5	271.5	295.5	319.5	343.5
A	67.5	91.5	115.5	139.5	163.5	187.5	211.5	235.5	259.5	283.5	307.5	331.5	355.5

400 5 port manifold

Station \ Option	2	3	4	5	6	7	8	9	10	11	12	13	14
B	71.5	99.0	126.5	154.0	181.5	209.0	236.5	264.0	291.5	319.0	346.5	374.0	401.5
A	83.5	111.0	138.5	166.0	193.5	221.0	248.5	276.0	303.5	331.0	358.5	386.0	413.5

400 3 port manifold

Station \ Option	2	3	4	5	6	7	8	9	10	11	12
B	66.0	93.0	120.0	147.0	174.0	201.0	228.0	255.0	282.0	309.0	336.0
A	77.0	104.0	131.0	158.0	185.0	212.0	239.0	266.0	293.0	320.0	347.0

500 5 port manifold

Station \ Option	2	3	4	5	6	7	8	9	10	11	12	13	14
B	80.0	113.0	146.0	179.0	212.0	245.0	278.0	311.0	344.0	377.0	410.0	443.0	476.0
A	93.0	126.0	159.0	192.0	225.0	258.0	291.0	324.0	357.0	390.0	423.0	456.0	489.0

500 3 port manifold

Station \ Option	2	3	4	5	6	7	8	9	10	11	12
B	80.0	113.0	146.0	179.0	212.0	245.0	278.0	311.0	344.0	377.0	410.0
A	93.0	126.0	159.0	192.0	225.0	258.0	291.0	324.0	357.0	390.0	423.0