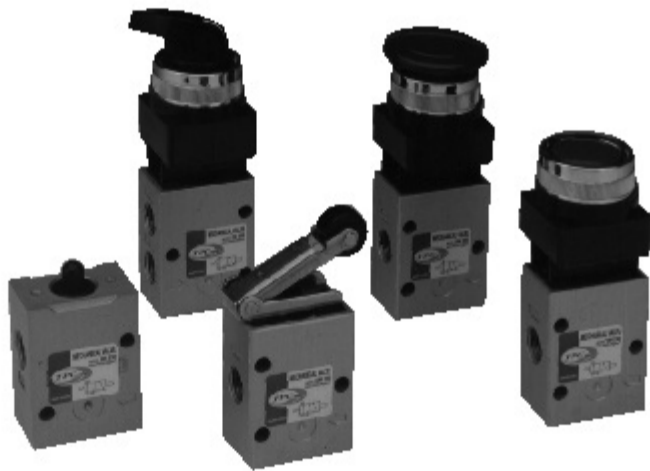


Series **DM**

3 · 5 Port Mechanical Valves



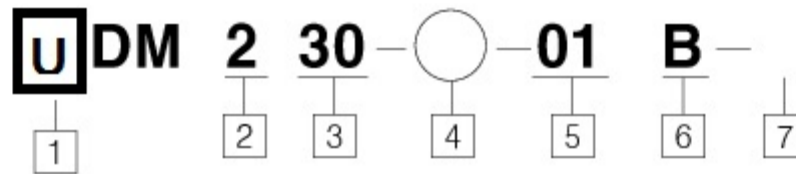
- VARIOUS ACTUATORS AVAILABLE
- EASY TO INTERCHANGE ACTUATOR ASSEMBLIES

Specifications

| Body Type | DM230 | DM330 | DM450 | DM550 |
|--|---|-----------|---------------------------------------|-----------|
| Fluid | Air | | | |
| Operating Pressure Range | 0~7kgf/cm ² (0~99.57psi) | | 1.5~7kgf/cm ² (21.34~7psi) | |
| Effective Orifice mm ² (Cv) | 11.0(0.6) | 19.0(1.0) | 14.0(0.7) | 19.0(1.0) |
| Lubrication | Not Required | | | |
| Port Size | Rc(PT)1/8 | Rc(PT)1/4 | Rc(PT)1/8 | Rc(PT)1/4 |
| Weight g(ozs) | 88(3.1) | 125(4.4) | 163(5.75) | 191(6.74) |
| Actuator | Basic Type, Roller Plunger, Roller, Push Button(Mushroom), Push Button(Flush), Selector | | | |
| Symbol | | | | |

- DW
- DR100
- DR200
- RS1000, 2000
- RS4000
- SI UNIT
- DV1000
- DV3000
- DV4000
- DS300
- DS3000
- DS5000
- DS2000
- DS6000
- DX1,DX2
- DX1(2)R
- DH
- DP300
- DP3000
- DP5000
- DM**
- DT220

How To Order



1 Mechanical Valve
Blank : Metric(PT)
U : NPT

2 Body Type / Size

- 2 : B Type
- 3 : C Type
- 4 : D Type
- 5 : E Type

3 Type of Actuation

- 30 : 2 Position 3 Port N.O/N.C.
- 50 : 2 Position 5 Port

4 Mounting

- Blank : Standard
- *B : Bracket
- *Bracket Part No
- DM450 Series : DM-4B
- DM550 Series : DM-5B

5 Port Size

- 01 : 1/8
- 02 : 1/4

6 Actuator

- B : Basic Type

R : Roller Plunger

RB : Roller Bearing Type

E : Push Button(Mushroom)

R2 : One Way Roller

RB2 : One Way Roller Bearing Type

P : Push Button(Flush)

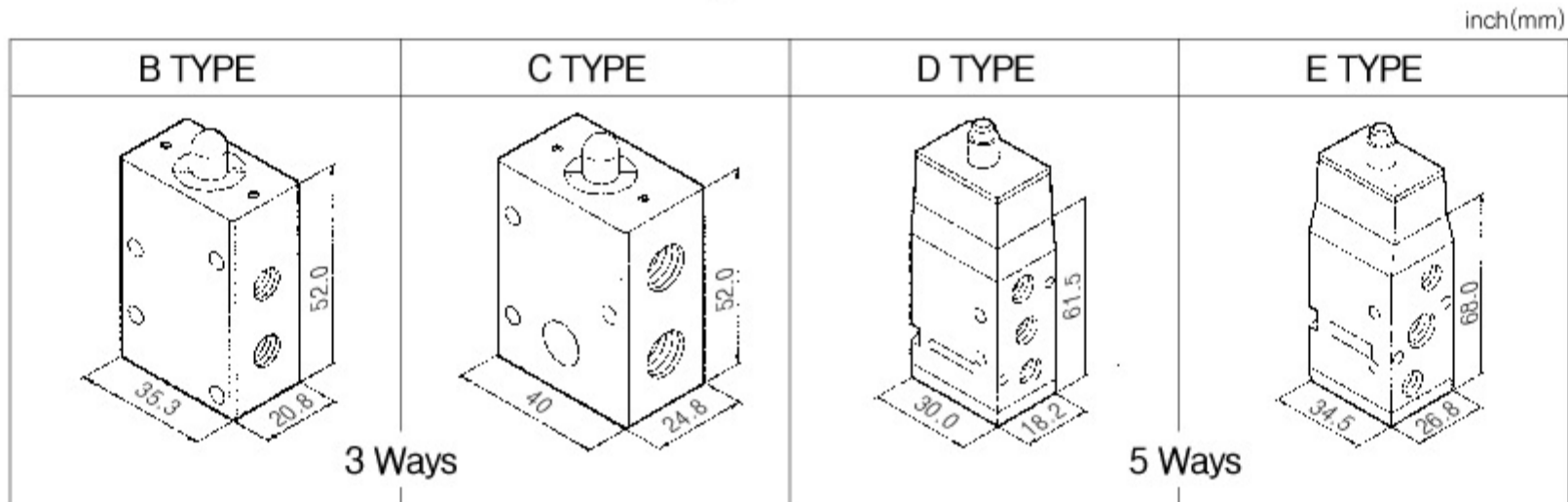
S : Selector

7 Actuator's Color(switch)

Blank : Red

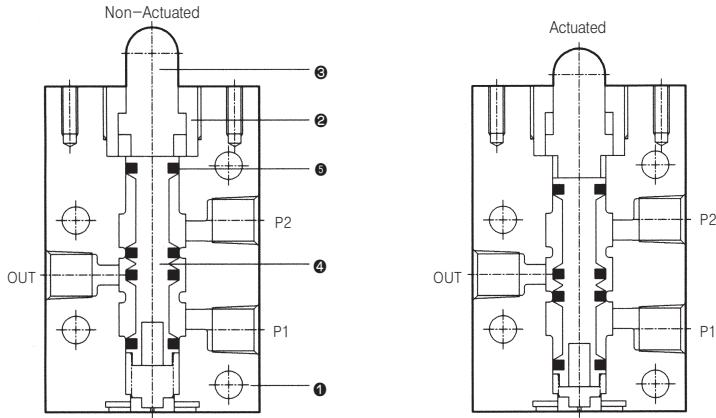
G : Green

B : Black



Series DM

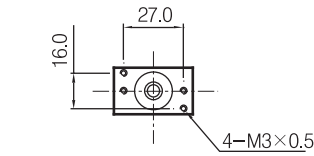
DM230 Construction/Parts List



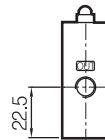
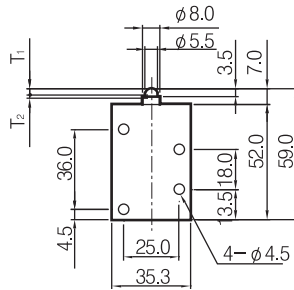
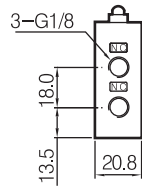
| No. | Description | Material |
|-----|---------------|----------|
| 1 | Body | A 1 DC |
| 2 | Housing | C3604 |
| 3 | Button | POM |
| 4 | Spool | A 1 |
| 5 | Spool Packing | NBR |

DM230-01B(Standard Type)

Symbol

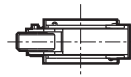


| Specifications | | |
|----------------|--------------------------------|-------|
| T1 | Effective Moving Area | 3.5mm |
| T2 | Non-Effective Moving Area | 1.0mm |
| F1 | Able to Withstand the Weight | 3.5kg |
| F2 | Unable to Withstand the Weight | |

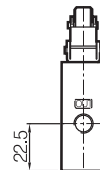
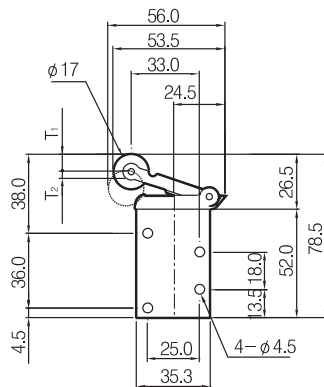
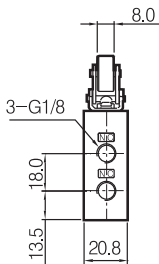


DM230-01R(Roller Type)/ DM230-01RB(Roller Bearing Type)

Symbol



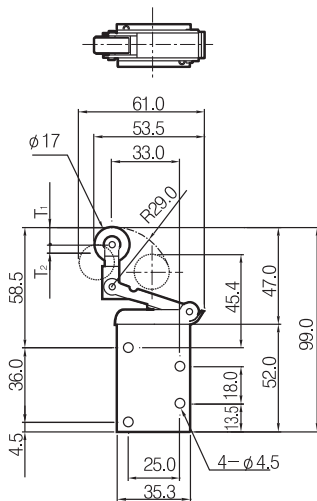
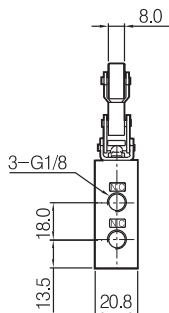
| Specifications | | |
|----------------|--------------------------------|-------|
| T1 | Effective Moving Area | 8.0mm |
| T2 | Non-Effective Moving Area | 3.0mm |
| F1 | Able to Withstand the Weight | 2.0kg |
| F2 | Unable to Withstand the Weight | |



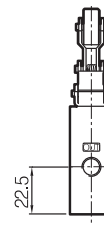
Series DM

DM230-01R2(One Way Roller Type) / DM230-01R2B(One Way Roller Bearing Type)

Symbol

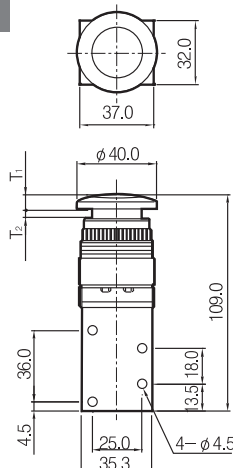
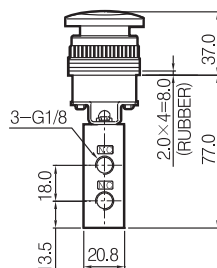


| Specifications | | |
|----------------|--------------------------------|-------|
| T1 | Effective Moving Area | 9.0mm |
| T2 | Non-Effective Moving Area | 3.5mm |
| F1 | Able to Withstand the Weight | 2.0kg |
| F2 | Unable to Withstand the Weight | |

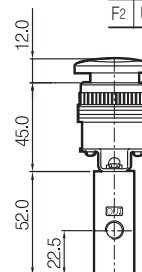


DM230-01E(Mushroom Button Type)

Symbol

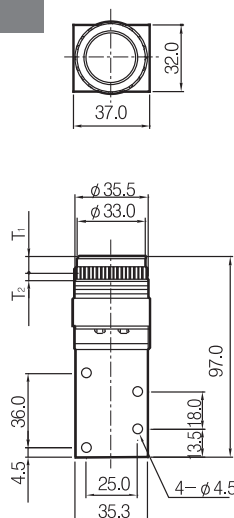
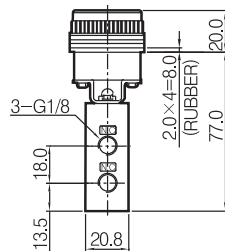
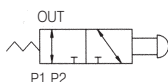


| Specifications | | |
|----------------|--------------------------------|-------|
| T1 | Effective Moving Area | 5.5mm |
| T2 | Non-Effective Moving Area | 1.0mm |
| F1 | Able to Withstand the Weight | 3.5kg |
| F2 | Unable to Withstand the Weight | |

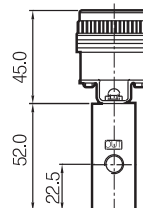


DM230-01P(Push Button Type)

Symbol



| Specifications | | |
|----------------|--------------------------------|-------|
| T1 | Effective Moving Area | 5.5mm |
| T2 | Non-Effective Moving Area | 1.0mm |
| F1 | Able to Withstand the Weight | 3.5kg |
| F2 | Unable to Withstand the Weight | |

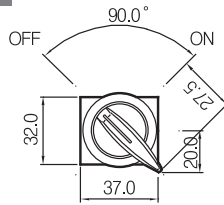
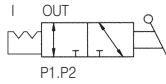


- DW
- DR100
- DR200
- RS1000, 2000
- RS4000
- SI UNIT
- DV1000, DV3000, DV4000
- DS300
- DS3000
- DS5000
- DS2000
- DS6000
- DX1,DX2
- DX1(2)R
- DH
- DP300, DP3000, DP5000
- DM**
- DT220

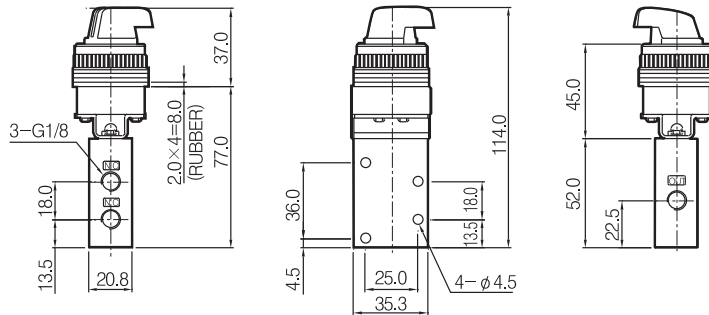
Series DM

DM230-01S(Twist Selector Type)

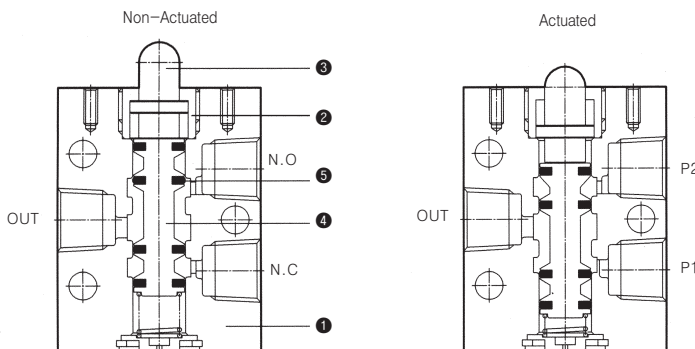
Symbol



| Specifications | | |
|----------------|--------------------------------|-------|
| T1 | Effective Moving Area | 3.6mm |
| T2 | Non-Effective Moving Area | |
| F1 | Able to Withstand the Weight | 2.5kg |
| F2 | Unable to Withstand the Weight | |



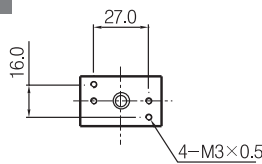
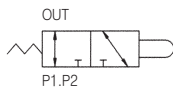
DM330/Construction/Parts List



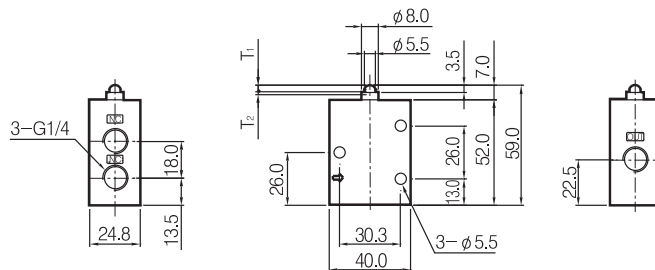
| NO. | Description | Material |
|-----|---------------|----------|
| 1 | Body | A & DC |
| 2 | Housing | C3604 |
| 3 | Button | POM |
| 4 | Spool | A2011 |
| 5 | Spool Packing | NBR |

DM330-02B(Standard Type)

Symbol



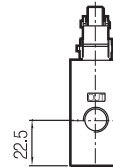
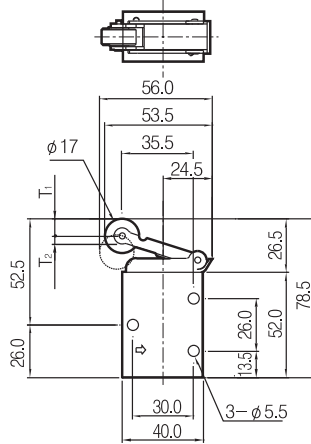
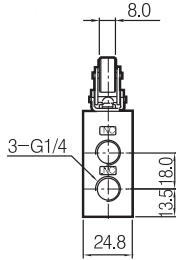
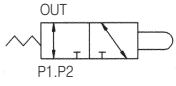
| Specifications | | |
|----------------|--------------------------------|-------|
| T1 | Effective Moving Area | 3.5mm |
| T2 | Non-Effective Moving Area | 1.0mm |
| F1 | Able to Withstand the Weight | 3.5kg |
| F2 | Unable to Withstand the Weight | |



Series DM

DM330-02R(Roller Type)/DM330-02RB(Roller Bearing Type)

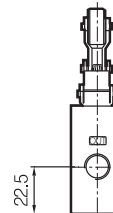
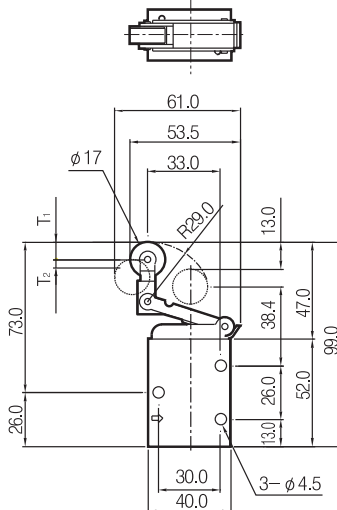
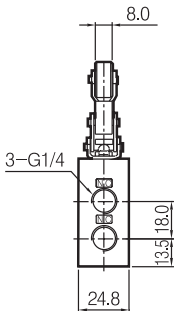
Symbol



| Specifications | | |
|----------------|--------------------------------|-------|
| T1 | Effective Moving Area | 8.0mm |
| T2 | Non-Effective Moving Area | 3.0mm |
| F1 | Able to Withstand the Weight | 2.0kg |
| F2 | Unable to Withstand the Weight | |

DM330-02R2(Only Way Roller Type) / DM330-02R2B(Only Way Roller Bearing Type)

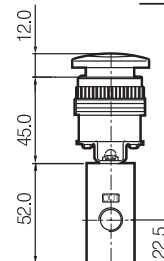
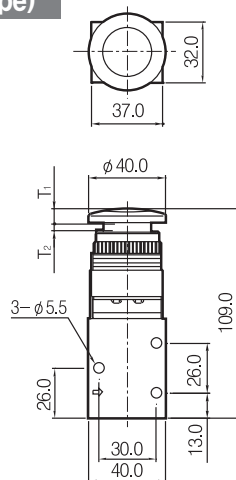
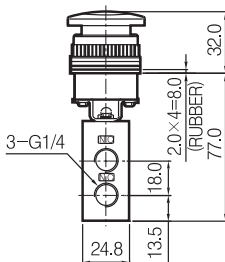
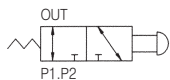
Symbol



| Specifications | | |
|----------------|--------------------------------|-------|
| T1 | Effective Moving Area | 9.0mm |
| T2 | Non-Effective Moving Area | 3.5mm |
| F1 | Able to Withstand the Weight | 2.0kg |
| F2 | Unable to Withstand the Weight | |

DM330-02E(Mushroom Button Type)

Symbol



| Specifications | | |
|----------------|--------------------------------|-------|
| T1 | Effective Moving Area | 5.5mm |
| T2 | Non-Effective Moving Area | 1.0mm |
| F1 | Able to Withstand the Weight | 3.5kg |
| F2 | Unable to Withstand the Weight | |

DW

DR100

DR200

RS1000,
2000

RS4000

SI UNIT

DV1000
DV3000
DV4000

DS300

DS3000

DS5000

DS2000

DS6000

DX1,DX2

DX1(2)R

DH

DP300
DP3000
DP5000

DM

DT220

Series DM

DM330-02P(Push Button Type)

Symbol

OUT
P1, P2

Dimensions: 32.0, 37.0, 20.0, 77.0, 2.0x4=8.0 (RUBBER), 18.0, 13.5, 24.8, 3-G1/4, 26.0, 30.0, 40.0, 13.0, 26.0, 97.0, 45.0, 52.0, 22.5, 3-φ4.5, φ35.5, φ30.0, T1, T2

| Specifications | | |
|----------------|--------------------------------|-------|
| T1 | Effective Moving Area | 5.5mm |
| T2 | Non-Effective Moving Area | 1.0mm |
| F1 | Able to Withstand the Weight | 3.5kg |
| F2 | Unable to Withstand the Weight | |

DM330-02S(Twist Selector Type)

Symbol

OUT
P1, P2

Dimensions: 90°, OFF, ON, 32.0, 37.0, 21.5, 20.0, 37.0, 114.0, 45.0, 52.0, 22.5, 3-φ5.5, 26.0, 30.0, 40.0, 13.0, 26.0, 77.0, 2.0x4=8.0 (RUBBER), 18.0, 13.5, 24.8, 3-G1/4

| Specifications | | |
|----------------|--------------------------------|-------|
| T1 | Effective Moving Area | 3.6mm |
| T2 | Non-Effective Moving Area | |
| F1 | Able to Withstand the Weight | 2.5kg |
| F2 | Unable to Withstand the Weight | |

DM450/Construction/Parts List

Non-Actuated Actuated

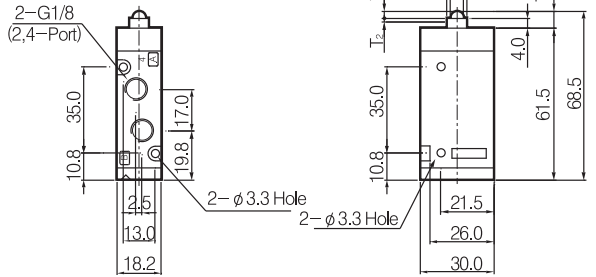
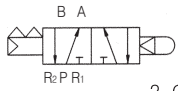
A ← R1 A → R1
B → P B → P
R2 R2

| NO. | Description | Material |
|-----|---------------|----------|
| 1 | Body | A & DC |
| 2 | Semi Pilot | ZADC |
| 3 | Cap | ZnDC |
| 4 | Pilot | ZnDC |
| 5 | Piston | PBT |
| 6 | Spool | A2011 |
| 7 | Spool Packing | NBR |

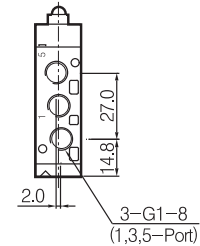
Series DM

DM450-01B (Standard Type)

Symbol

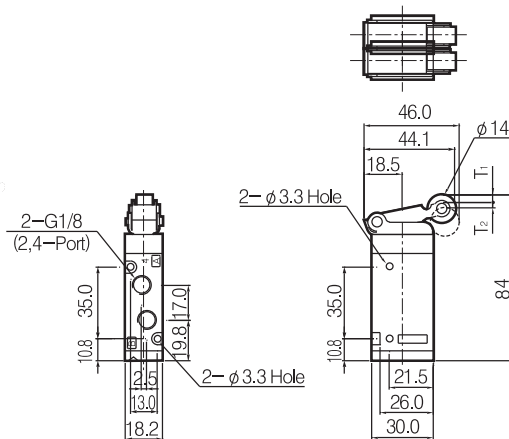


| Specifications | |
|----------------|------------------------------------|
| T1 | Effective Moving Area 3.0mm |
| T2 | Non-Effective Moving Area 1.0mm |
| F1 | Able to Withstand the Weight 2.5kg |
| F2 | Unable to Withstand the Weight |

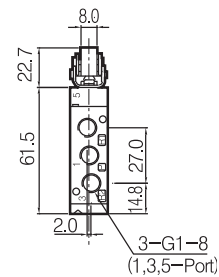


DM450-01R(Roller Type)/DM450-01RB(Roller Bearing Type)

Symbol

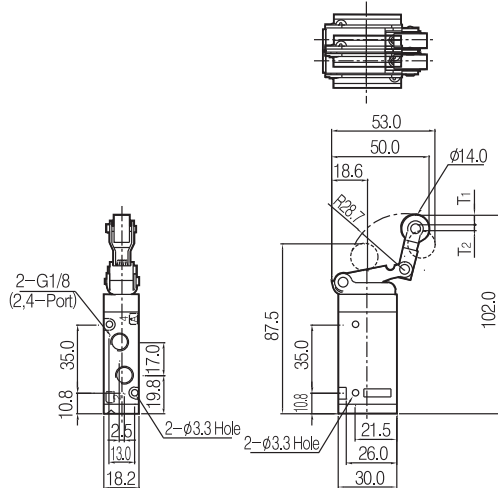
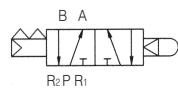


| Specifications | |
|----------------|------------------------------------|
| T1 | Effective Moving Area 8.5mm |
| T2 | Non-Effective Moving Area 2.0mm |
| F1 | Able to Withstand the Weight 1.5kg |
| F2 | Unable to Withstand the Weight |

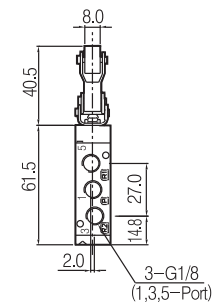


DM450-01R2(One Way Roller Type)/DM450-01R2B(One Way Roller Bearing Type)

Symbol



| Specifications | |
|----------------|------------------------------------|
| T1 | Effective Moving Area 9.5mm |
| T2 | Non-Effective Moving Area 2.0mm |
| F1 | Able to Withstand the Weight 1.5kg |
| F2 | Unable to Withstand the Weight |

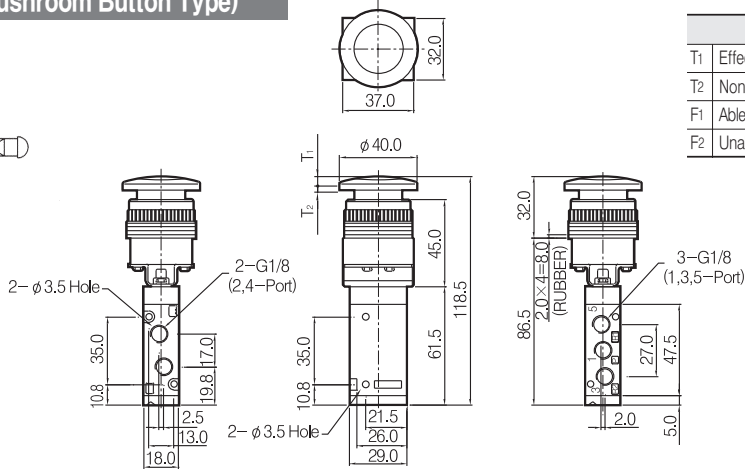
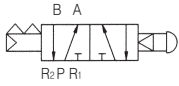


- DW
- DR100
- DR200
- RS1000, 2000
- RS4000
- SI UNIT
- DV1000, DV3000, DV4000
- DS300
- DS3000
- DS5000
- DS2000
- DS6000
- DX1,DX2
- DX1(2)R
- DH
- DP300, DP3000, DP5000
- DM**
- DT220

Series DM

DM450-01E(Mushroom Button Type)

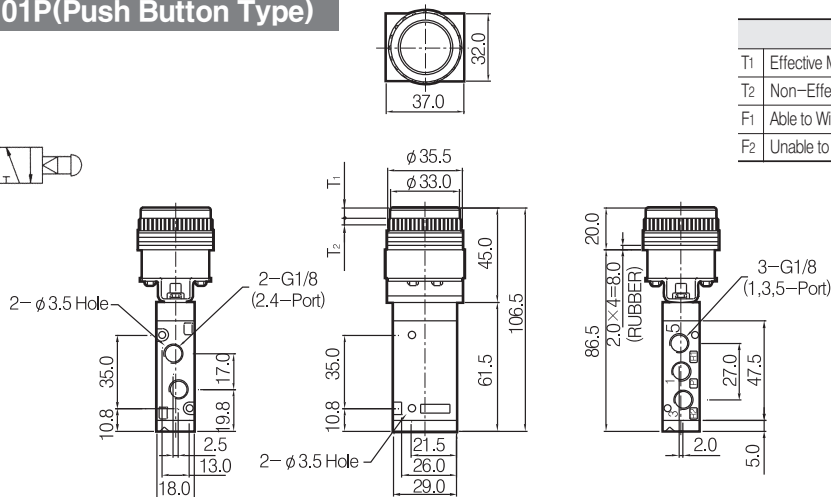
Symbol



| Specifications | | |
|----------------|--------------------------------|-------|
| T1 | Effective Moving Area | 6.5mm |
| T2 | Non-Effective Moving Area | 1.0mm |
| F1 | Able to Withstand the Weight | 3.0kg |
| F2 | Unable to Withstand the Weight | |

DM450-01P(Push Button Type)

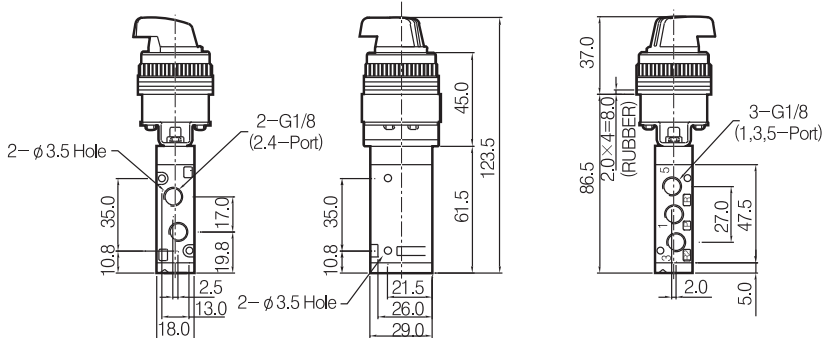
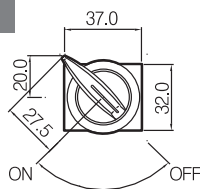
Symbol



| Specifications | | |
|----------------|--------------------------------|-------|
| T1 | Effective Moving Area | 6.5mm |
| T2 | Non-Effective Moving Area | 1.0mm |
| F1 | Able to Withstand the Weight | 3.0kg |
| F2 | Unable to Withstand the Weight | |

DM450-01S(Twist Selector Type)

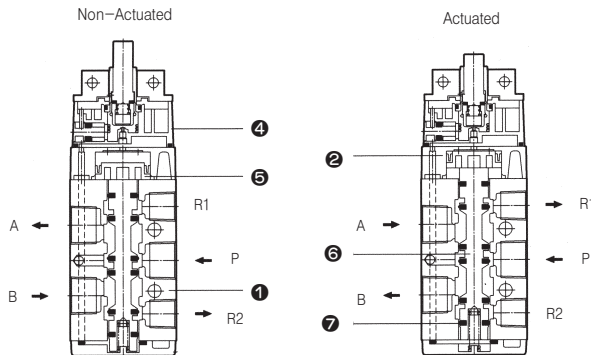
Symbol



| Specifications | | |
|----------------|--------------------------------|-------|
| T1 | Effective Moving Area | 3.6mm |
| T2 | Non-Effective Moving Area | |
| F1 | Able to Withstand the Weight | 2.5kg |
| F2 | Unable to Withstand the Weight | |

Series DM

DM450/Construction/Parts List

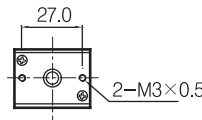


| No. | Description | Material |
|-----|---------------|----------|
| 1 | Body | A 4 DC |
| 2 | Semi Pilot | ZnDC |
| 3 | Cap | ZnDC |
| 4 | Pilot | PBT |
| 5 | Piston | POM |
| 6 | Spool | A2011 |
| 7 | Spool Packing | NBR |

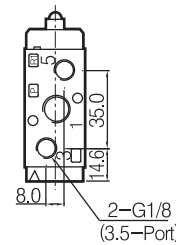
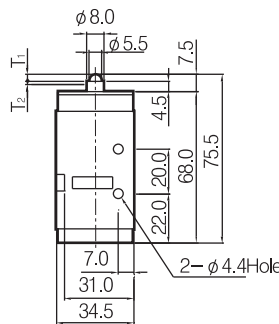
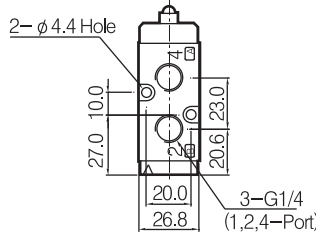
- DW
- DR100
- DR200
- RS1000, 2000
- RS4000
- SI UNIT
- DV1000
DV3000
DV4000

DM550-02B(Standard Type)

Symbol



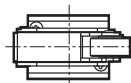
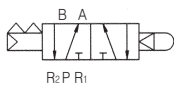
| Specifications | | |
|----------------|--------------------------------|-------|
| T1 | Effective Moving Area | 3.6mm |
| T2 | Non-Effective Moving Area | 1.0mm |
| F1 | Able to Withstand the Weight | 3.5kg |
| F2 | Unable to Withstand the Weight | |



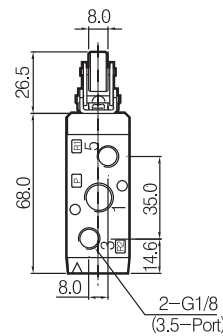
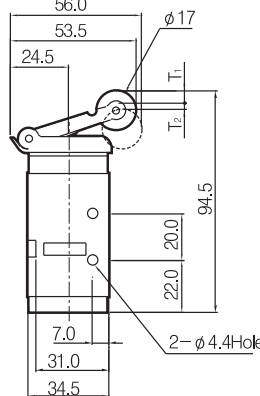
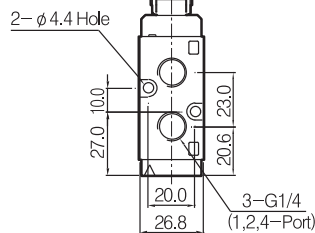
- DS300
- DS3000
- DS5000
- DS2000
- DS6000
- DX1,DX2
- DX1(2)R
- DH
- DP300
DP3000
DP5000

DM550-02R(Roller Type)/ DM550-02RB(Roller Bearing Type)

Symbol



| Specifications | | |
|----------------|--------------------------------|-------|
| T1 | Effective Moving Area | 9.0mm |
| T2 | Non-Effective Moving Area | 3.0mm |
| F1 | Able to Withstand the Weight | 1.5kg |
| F2 | Unable to Withstand the Weight | |

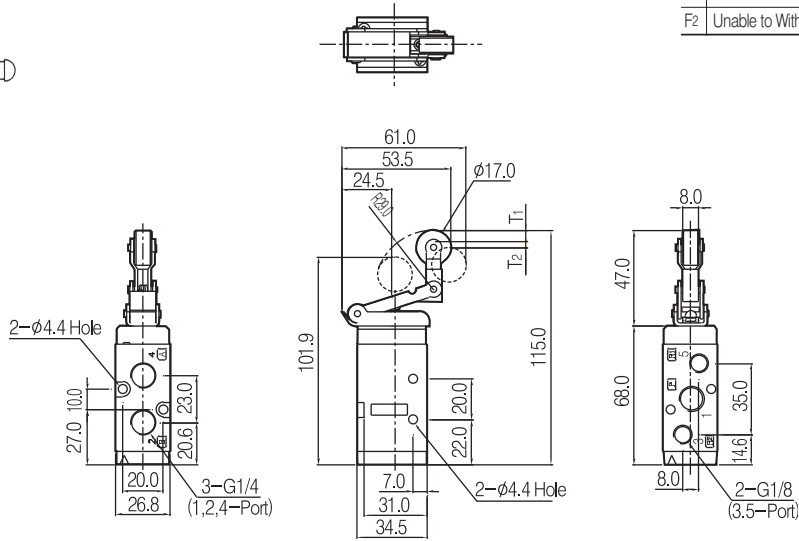
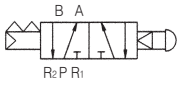


- DM
- DT220

Series DM

DM550-02R2(One Way Roller Type)/ DM550-02R2B(One Way Roller Bearing Type)

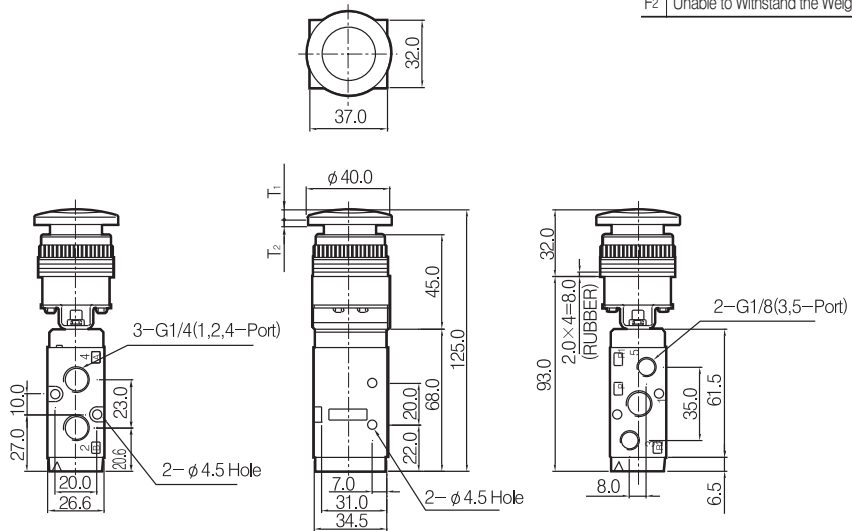
Symbol



| Specifications | | |
|----------------|--------------------------------|--------|
| T1 | Effective Moving Area | 10.5mm |
| T2 | Non-Effective Moving Area | 3.0mm |
| F1 | Able to Withstand the Weight | 1.5kg |
| F2 | Unable to Withstand the Weight | |

DM550-02E(Mushroom Button Type)

Symbol

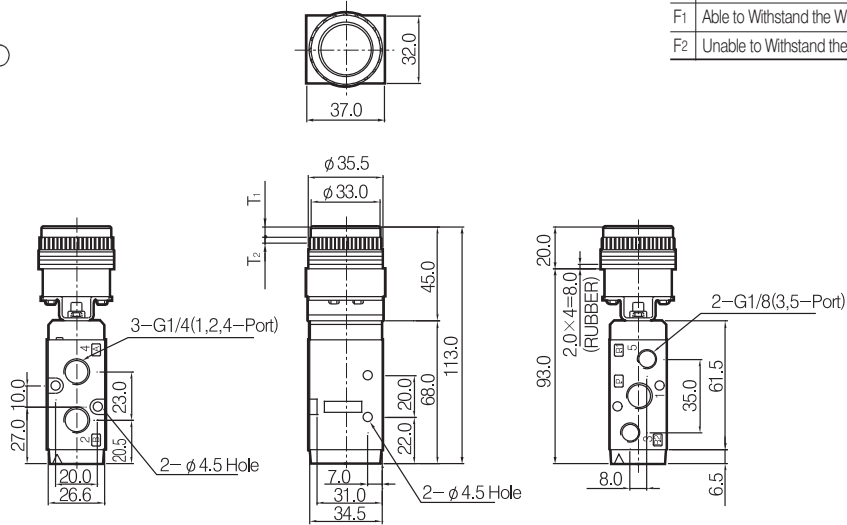
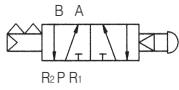


| Specifications | | |
|----------------|--------------------------------|-------|
| T1 | Effective Moving Area | 5.5mm |
| T2 | Non-Effective Moving Area | 1.0mm |
| F1 | Able to Withstand the Weight | 4.0kg |
| F2 | Unable to Withstand the Weight | |

Series DM

DM550-02P(Push Button Type)

Symbol



| Specifications | | |
|----------------|--------------------------------|-------|
| T1 | Effective Moving Area | 5.5mm |
| T2 | Non-Effective Moving Area | 1.0mm |
| F1 | Able to Withstand the Weight | 4.0kg |
| F2 | Unable to Withstand the Weight | |

DW

DR100

DR200

RS1000,
2000

RS4000

SI UNIT

DV1000
DV3000
DV4000

DS300

DS3000

DS5000

DS2000

DS6000

DX1,DX2

DX1(2)R

DH

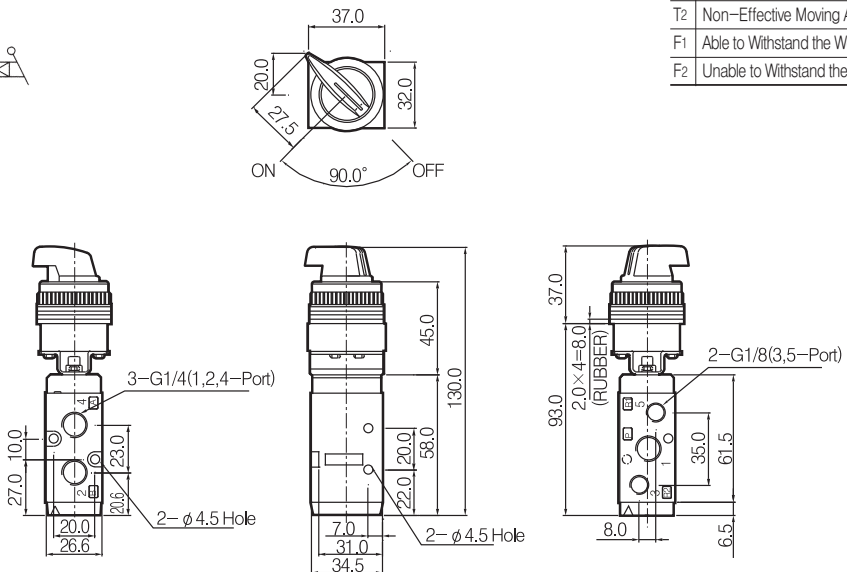
DP300
DP3000
DP5000

DM

DT220

DM550-02S (Twist Selector Type)

Symbol



| Specifications | | |
|----------------|--------------------------------|-------|
| T1 | Effective Moving Area | 3.6mm |
| T2 | Non-Effective Moving Area | |
| F1 | Able to Withstand the Weight | 2.5kg |
| F2 | Unable to Withstand the Weight | |