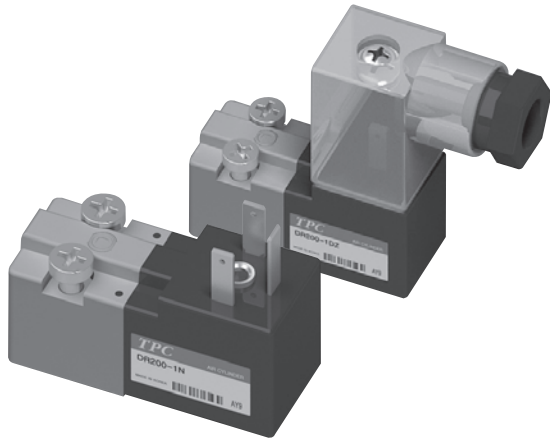


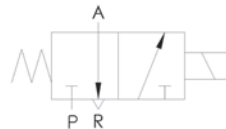
# Series **DR 200**

## 3-Port Small (15mm) Solenoid Valve



- 15MM WIDE 3-PORT DIRECT MOTION TYPE VALVE
- SUPERB PERFORMANCE IN HIGH PRESSURE CONDITION (MAX' 1.0MPA)
- REALIZATION OF COMPACT SIZE AND LIGHT WEIGHT
- SUPERB PERFORMANCE E/PLASTIC APPLIED FOR CHEMICAL-RESISTANCE

symbol (N.C)



### How to Order

**DR 200** — **1** **D** — **M5**

1                      2    3                      4

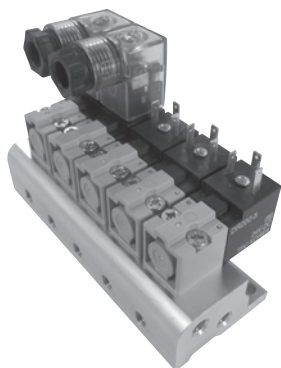
**1** DR200 Series  
Small (15mm wide) 3-port valve

**2** Voltage  
1 : AC 110V  
2 : AC 220V  
5 : DC 24V

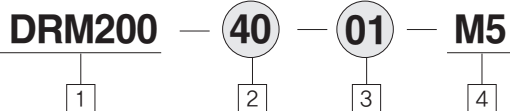
**3** Electrical Entry  
D : DIN type terminal (Lamp non-existed)  
DZ : DIN type terminal (Lamp existed)  
N : Connector non-existed

**4** Sub Plate Option  
Blank : None  
M5 : Sub-plate attached  
(for M5x0.8 pipe port installation)

Manifold



How to Order



1 Manifold for DR200 Valve  
Subcompact (15mm wide) valve

2 Piping Method  
40 : Base piping type

3 Connection Number  
01 : 1connection setting  
(in case of single use of sub-plate)

02 : 2connection setting  
03 : 3connection setting  
04 : 4connection setting  
⋮  
12 : 12connection setting

4 Port Screw Classification  
M5 : M5 X 0.8  
(P, A and R port)

Specifications

Applied Fluid	Air	
Applied Pressure Range Mpa(kgf/cm <sup>2</sup> )	0~1.0(0~10)	
Operating Method	N.C Type	
Ambient Temperature and Applied Fluid Temperature (°C)	Maximum 50	
Allowable Voltage Fluctuation (%)	-10~+10 of Voltage	
Maximum Operating Frequency (Hz)	10	
Minimum Operating Frequency	1 Time / 30 Days	
Lubrication	Not Required	
Impact-Resistance/Vibration-Resistance (m/s <sup>2</sup> )	150 / 30	
Protecting Structure	IP65	
Mounting Position	Frdd	
Manual Override	Non Lock Push Type	
Lead Track Extracting Method	Din Type Connector	
Coil Rated Voltage (V)	AC 50/60Hz	110, 220
	DC	24
Apparent electric Power (VA)	3.5	
Energy Consumption (W)	1.8	
Effective Sectional Area mm <sup>2</sup> (ℓ /min)	Supply(P→A) : 0.56 (36), Exhaust(A→R) : 0.65 (42)	
Response Time (ms)	15 or Less (0.5MPa base)	

DW

DR100

DR200

RS1000,  
2000

RS4000

SI UNIT

DV1000  
DV3000  
DV4000

DS300

DS3000

DS5000

DS2000

DS6000

DX1,DX2

DX1(2)R

DH

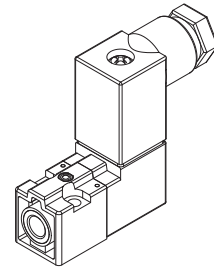
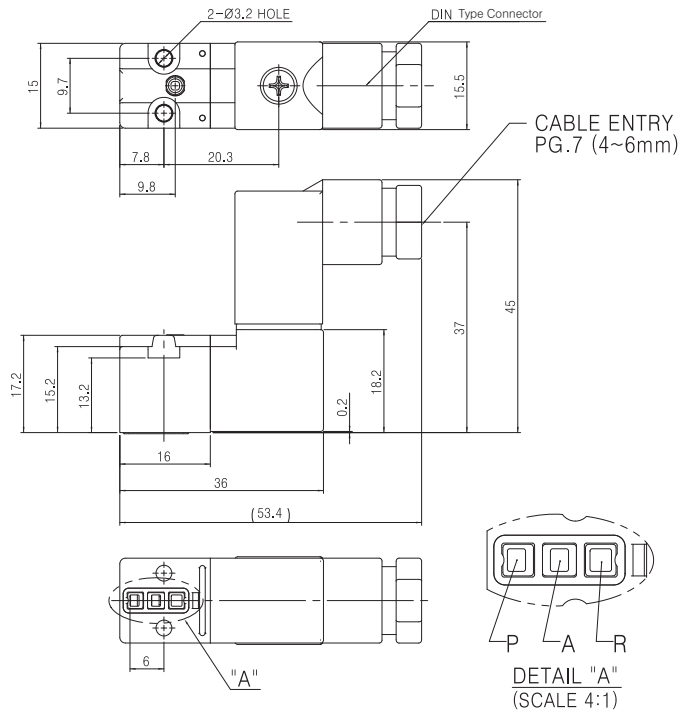
DP300  
DP3000  
DP5000

DM

DT220

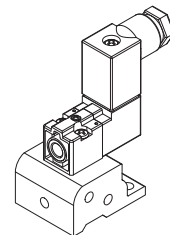
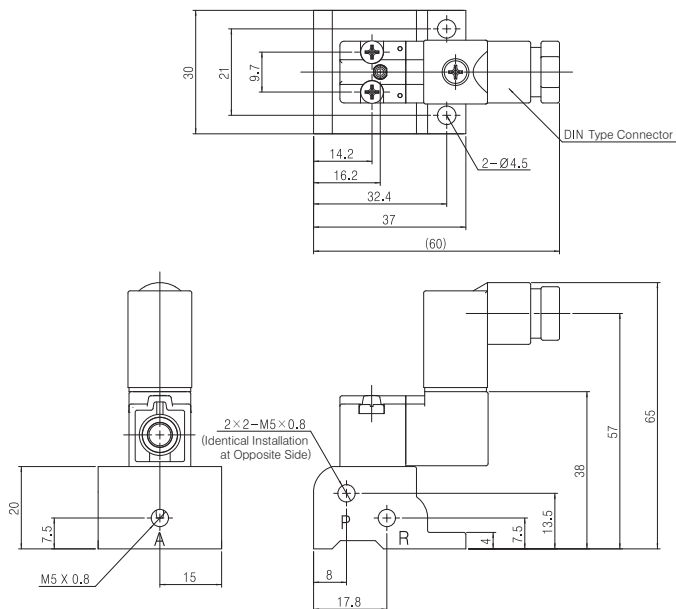
# Series DR200

## Dimensions



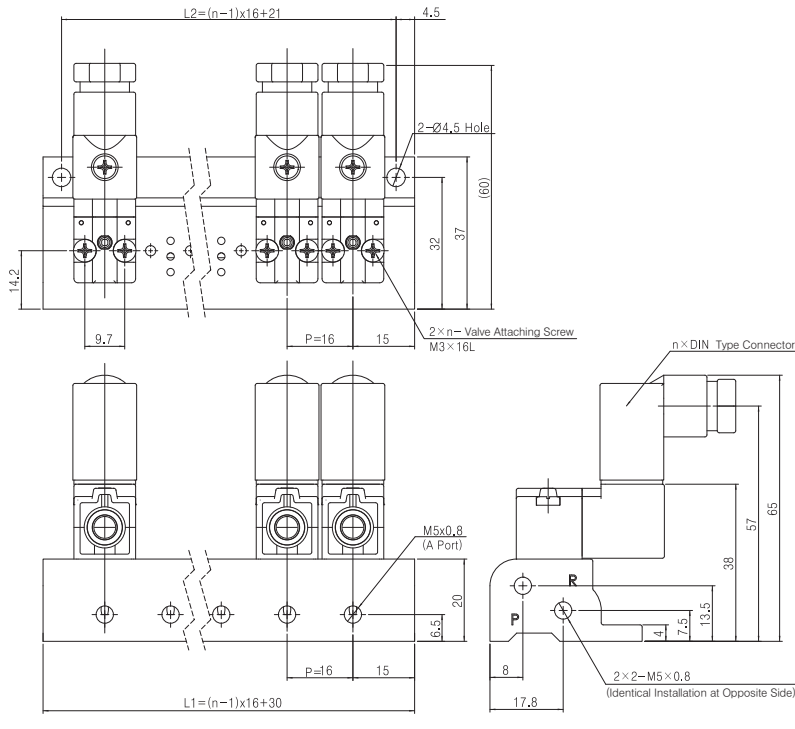
ISO METRIC VIEW  
(SCALE 2:1)

## Dimensions (Sub-Plate Attaching Type)



ISO METRIC VIEW  
(SCALE 1:1)

Dimensions (DRM100)



(n=Connection Number)

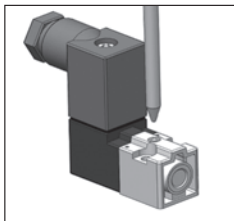
n	1	2	3	4	5	6	7	8	9	10	11	12
L1	30	46	62	78	94	110	126	142	158	174	190	206
L2	21	37	53	69	85	101	117	133	149	165	181	197

△ Notice for Product

User must fully understand the notice herein. Refer to a preface for notice and common notice contents for use.

△ Caution

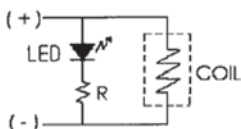
- Manual (Non-lock push type) operation  
Since manual operation runs installed equipment, it should be utilized after checking danger parameters.



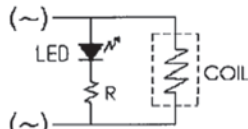
△ Notice

- Do not use sharp end device to manipulate manual.
- Do not apply overload when pushing manual.

● Valve circuit diagram (DC)



(AC)



● Din type connector connecting guideline

- ① Disassembly connector from terminal with releasing fixed screw.
- ② Remove fixed screw, and disassembly case and terminal block by flat-head screwdriver with using a groove at lower side of connector.
- ③ Disassembly ground nut, and disassembly washer and grommet.
- ④ Pass electric wire through the sequence of ground, washer, grommet (rubber) and case.
- ⑤ Release terminal screw of separated terminal block, and firmly fix core wire.
- ⑥ Put terminal block into the case correctly.
- ⑦ Fasten ground nut, and fix wire.
- ⑧ After assembly of connector and terminal, connect fix screw.

Note) 1. In case connector and terminal are not properly assembled, try it again after adjusting terminal (3 PIN) posture.  
2. If overload is applied for fix screw connection, be cautious for damage to case.

● Notice for attaching valve at manifold

- ① It is recommended to use exclusive attaching screw enclosed with package.
- ② If excessive connecting torque during attachment is applied for screw, it causes deformation of body. Be cautious. (Proper connecting torque: 2.5~3kgf.cm)

DW

DR100

DR200

RS1000,  
2000

RS4000

SI UNIT

DV1000  
DV3000  
DV4000

DS300

DS3000

DS5000

DS2000

DS6000

DX1,DX2

DX1(2)R

DH

DP300  
DP3000  
DP5000

DM

DT220