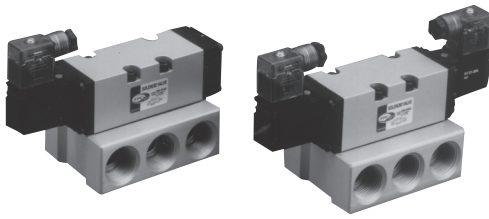


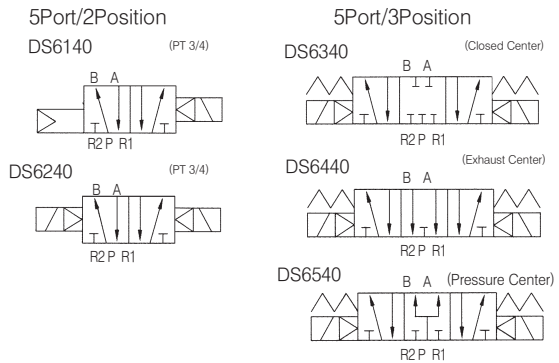
Series **DS6000**

Elastic Seal 5 Port Pilot Solenoid Type



- INTEGRATED SUB-BASE
- COMPACT SIZE AND LIGHT FLOW CAPACITY
EFFECTIVE ORIFICE 90mm²(Cv 5.0)
- LOW POWER CONSUMPTION - 1.8w(DC)
- MANY VARIATIONS AVAILABLE

Symbol



DW
DR100
DR200
RS1000, 2000
RS4000
SI UNIT
DV1000, DV3000, DV4000
DS300
DS3000
DS5000
DS2000
DS6000
DX1,DX2
DX1(2)R
DH
DP300, DP3000, DP5000
DM
DT220

How To Order

U
DS
6
1
4
0
—
1
G

06

1
2
3
4
5
6

- 1 Series**
Blank : Rc(PT)Port
U : NPT
- 2 Configuration**
1 : 2 Position Single
2 : 2 Position Double
3 : 3 Position Closed Center
4 : 3 Position Exhaust Center
5 : 3 Position Pressure Center
- 3 Voltage**
1 : AC 110V(50/60Hz)
2 : AC 220V(50/60Hz)
5 : DC 24V
6 : DC 12V

- 4 Electrical Entry**
G : Grommet
D : DIN Connector
DN : DIN Connector(With indicator Light)
DZ : DIN Connector(With indicator Light and surge suppressor)
- 5 Thread**
Blank : Rc(PT)
G : Rc(PF)
- 6 Port Size**
06 : 3/4

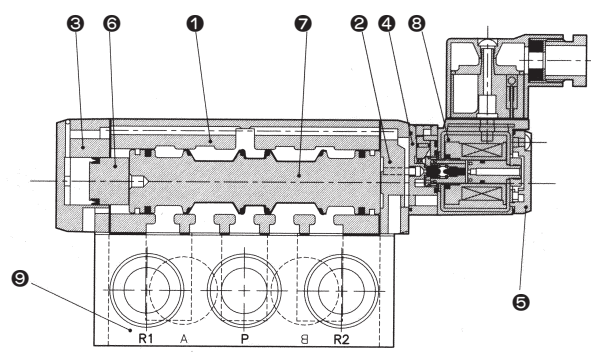
Series DS6000

Specifications

Model		DS6140	DS6240	DS6340	DS6440	DS6540
Fluid		Air				
Operating Pressure Range MPa(psi)		0.15~1.0(21~141)	0.1~1.0(14~141)	0.15~1.0(21~141psi)		
Effective Orifice mm ² (Cv)		90(5.0)		70(3.89)		
Ambient and Fluid Temperature		Max. 50°C(122°F)				
Response Time(0.5MPa)		≤40ms		≤60ms		
Max. Operating frequency		5c/s		3c/s		
Lubrication		Not required				
Manual Override		Non-locking Push Type				
Impact/Vibration Resistance		30G/5G(8.3~2000HZ)				
Enclosure		Dust Proof				
Coil Voltage		AC 50/60HZ 110V, 220V, DC12V, 24V				
Allowable Voltage		-15%~+10% of Rated Voltage				
Coil Insulation		Class B or equivalent(130°C)266°F				
Apparent Power	AC	Inrush	5.6VA(50HZ), 5.0VA(60HZ)			
		Holding	4.5VA(50HZ), 3.8VA(60HZ)			
Power Consumption	DC	1.8W/2W(With LED)				
Weight(kgf)		1.17	1.2	1.22	1.22	1.22
Surge suppressor circuit		AC, DC : Varistor				
Indicator Light		LED				

Construction/Parts List

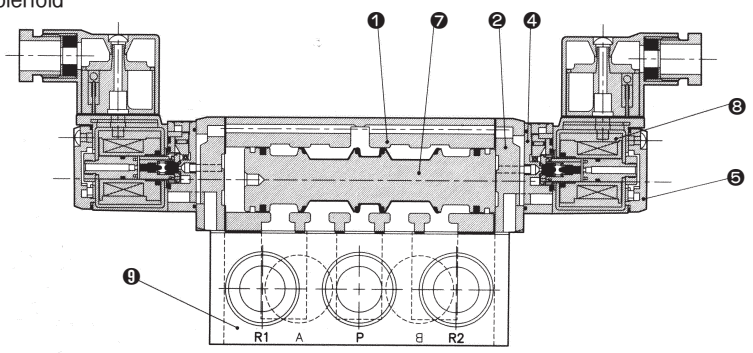
Single Solenoid



Main Parts

No.	Description	Material
1	Body	Aluminum
2	Adapter Plate	Aluminum
3	End Cover	Aluminum
4	Pilot Body	Polyacetal
5	Pilot Cover	Polyacetal
6	Piston	Polyacetal
7	Spool	Aluminum · NBR
8	Coil Ass'y	-
9	Base	Aluminum

Double Solenoid

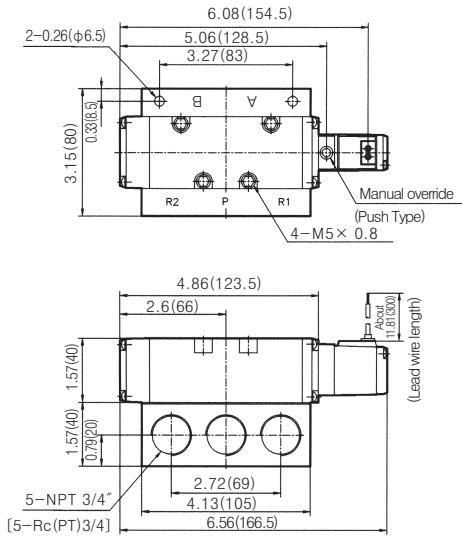


Series DS6000

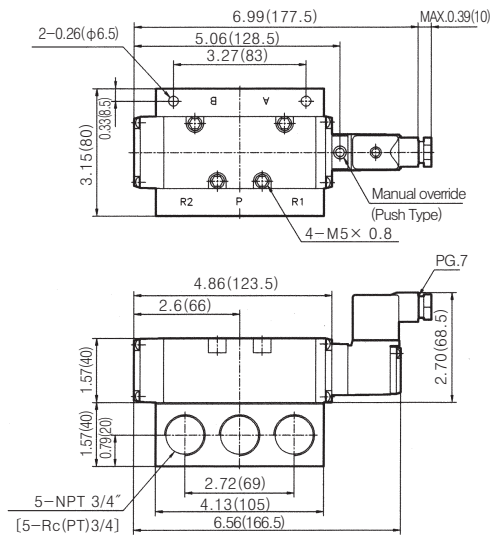
2 Position Single Solenoid

inch(mm)

Grommet(G)/DS 6140-OG



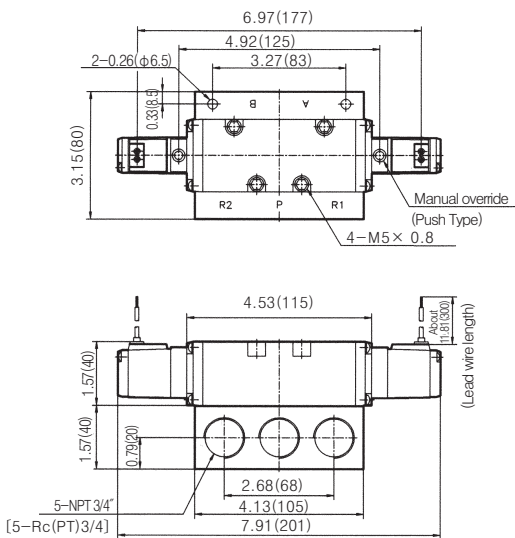
DIN Connector Type (D, DZ) DS6140-O
 D
 DN
 DZ



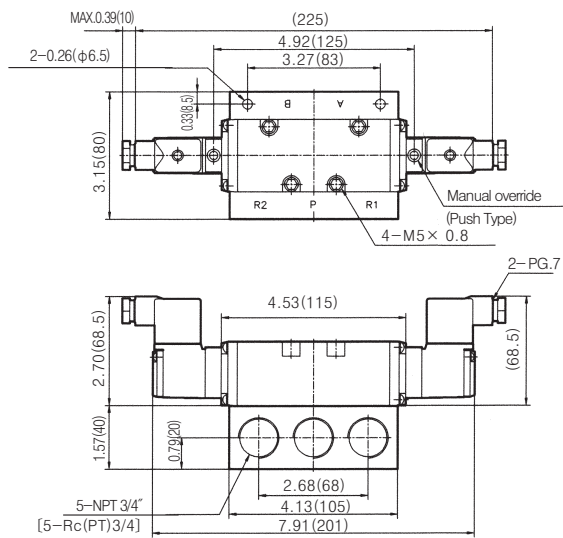
2 Position Double Solenoid

inch(mm)

Grommet(G)/DS 6240 - OG



DIN Connector Type (D, DZ) DS6240-O
 D
 DN
 DZ



DW
DR100
DR200
RS1000, 2000
RS4000
SI UNIT
DV1000 DV3000 DV4000
DS300
DS3000
DS5000
DS2000
DS6000
DX1,DX2
DX1(2)R
DH
DP300 DP3000 DP5000
DM
DT220

