

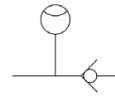
# DWFI Series

## Flow Indicator



- 2 port valve that indicates coolant flow volume
- Used to prevent coolant to flow backward
- Coolant module components

Symbol



## How to order

DW — FI — 06  
1                      2                      3

1 DW Series  
2 PORT VALVE

2 Made to Order

FI	FLOW INDICATOR
----	----------------

3 Port size

06	Rc 3/4
----	--------

# Flow indicator DWFI Series

## Specifications

Max. Operating pressure (MPa)	0.5
Proof pressure (MPa)	0.6
Fluid	Water
Min. Operating pressure (MPa)	0.05
Ambient & Fluid Temp.	-5 - 60
Operating flow rate	8
Max. Flow rate	50
Port size	2 - Rc 3/4

## Precautions

### ⚠ Caution

#### 1) Piping and connection direction

Check the → mark on the side of the flow indicator. → indicates water flow direction. (It does not back flow.)

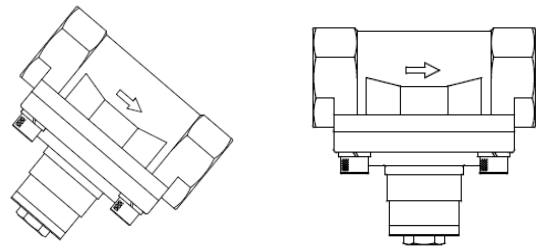
#### 2) Piping

Connect the flow indicator after flushing the piping to be used.

If remaining scale, sand, dust, and etc. in the pipe, it may cause malfunction.

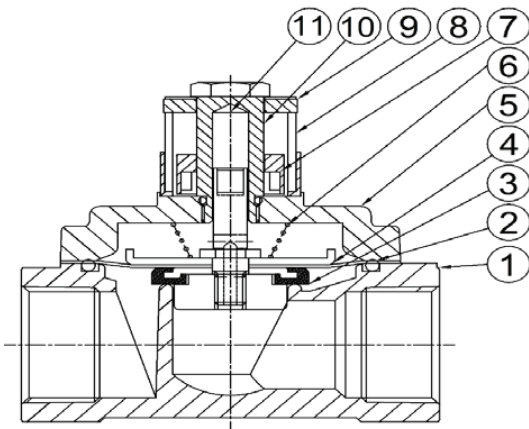
#### 3) Installation

It can be installed horizontally and vertically. However, do not install the product facing downward as shown like Picture 1.



(Picture 1)

## Structure



No.	Components	Materials	Remarks
1	Body	BRASS	
2	O-ring	NBR	
3	Seal	STS + NBR	
4	Diaphragm	NBR	
5	Cover	BRASS	
6	Diaphragm spring	STS	
7	Indicator	PP	
8	Site	PC	
9	Stopper	BRASS	
10	Support	BRASS	
11	Stem	BRASS	

# DWFI Series

## Dimensions

