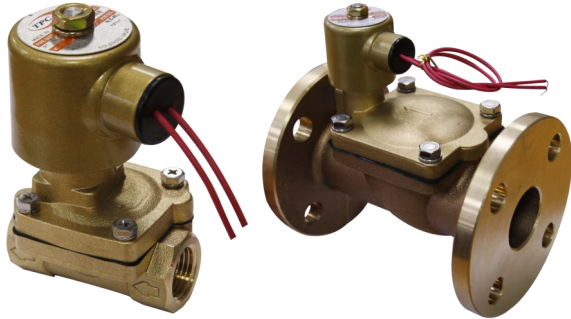


DW series

2 Port solenoid valve (Pilot type, Flange type)

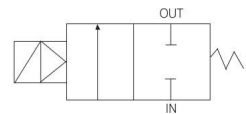
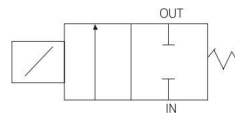


- Various operating pressure
- Large capacity
- Low power consumption
- Coil protection design
- Various mounting available

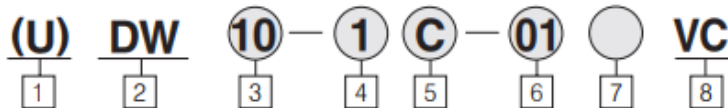
Symbol

Direct operated

Pilot operated



How to order



1 Series

Blank : Rc(PT)
U : NPT

2 2 Port Solenoid Valve Applicable Fluid

DW : Water, Air
DWS : Steam
DWF : Water, Air with flange
DWSF : Steam with flange
-Flange type is available for $\varnothing 25$ or larger

3 Orifice Size

03 : $\varnothing 2.5$
10 : $\varnothing 10$
15 : $\varnothing 15$
20 : $\varnothing 20$
25 : $\varnothing 25$
32 : $\varnothing 32$
40 : $\varnothing 40$
50 : $\varnothing 50$

4 Voltage

1 : AC110V, 60Hz
AC100V, 50/60Hz
2 : AC220V, 60Hz
AC200V, 50/60Hz
-Only for AC type(Orifice size $\varnothing 3-25$),
please contact us for other types
5 : DC24V
9 : DC12V
-Only for DC type(Orifice size $\varnothing 20-50$),
please contact us for other types

5 Electrical Entry

C : Console Box Type (Only for orifice 03 option)
G : Grommet type

6 Port Size Rc(PT)

01 : PT1/8
02 : PT1/4
03 : PT3/8
04 : PT1/2
06 : PT3/4
10 : PT1
12 : PT1 1/4
14 : PT1 1/2
20 : PT2

7 Material

Vacuum
Blank : Standard type
VC : Vacuum (-100kPa)
* Both AC and DC are available

8 VC : Vacuum Type(-100kpa)

Blank : Normally closed
NO : Normally opened

2 Port solenoid valve (Pilot type, Flange type) DW series

Caution

Please fully understand the notices prior to utilization, and refer to safety notice and common notice

Piping

Caution

- Use heat-resistant fittings, tubes, etc. for steam type. (Insert fitting, Teflon tube copper tube, etc.)

Specifications

Fluid		Air, Water, Oil	Steam
Fluid temperature		0~60°C	0~180°C
Ambient and fluid temperature		50°C (MAX)	
Operating pressure	AC	0~10kgf/cm ²	0.5~7kgf/cm ²
	DC	0.3~7(10)kgf/cm ²	0.5~7kgf/cm ²
Body material		BRASS	
Power consumption		AC, DC : 14W	
Voltage compensation rate		±10%(AC), ±5%(DC)	
Seal material		NBR	PTFE+SUS304 PISTON

Weight

Orifice	Port size	Normally closed	Normally opened	Normally closed for flange type	Normally opened for flange type
Ø2.5	PT1/8, 1/4	0.5kg			
Ø10	PT1/4	0.5kg	0.6kg		
Ø10	PT 3/8	0.53kg	0.6kg		
Ø15	PT1/2	0.75kg	0.8kg		
Ø20	PT3/4	1.3kg	1.3kg		
Ø25	PT1	1.3kg	1.3kg	4.7kg	3.7kg
Ø32	PT11/4	2.2kg	2.2kg	6.2kg	6.2kg
Ø40	PT11/2	2.47kg	2.5kg	6.15kg	6.15kg
Ø50	PT2	3.57kg	3.7kg	8kg	8kg

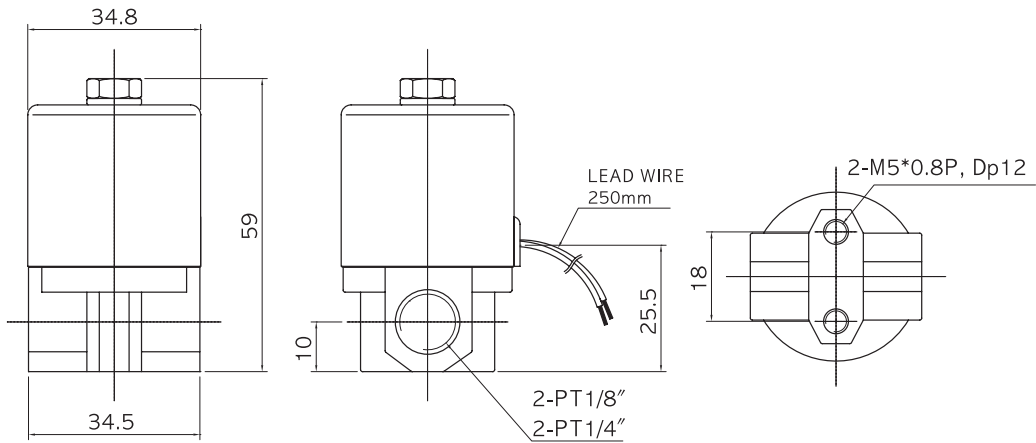
※ Steam

Orifice	Port size	Normally closed	Normally opened	Normally closed for flange type	Normally opened for flange type
Ø10	PT1/4	0.53kg	0.7kg		
Ø10	PT 3/8	0.53kg	0.7kg		
Ø15	PT1/2	0.77kg	0.9kg		
Ø20	PT 3/4	1.55kg	1.55kg		
Ø25	PT1	1.57kg	1.57kg	3.9kg	3.9kg
Ø32	PT11/4	2.55kg	2.55kg	6.6kg	6.6kg
Ø40	PT11/2	2.75kg	2.75kg	6.55kg	6.55kg
Ø50	PT2	3.92kg	3.92kg	8.5kg	8.5kg

DW series

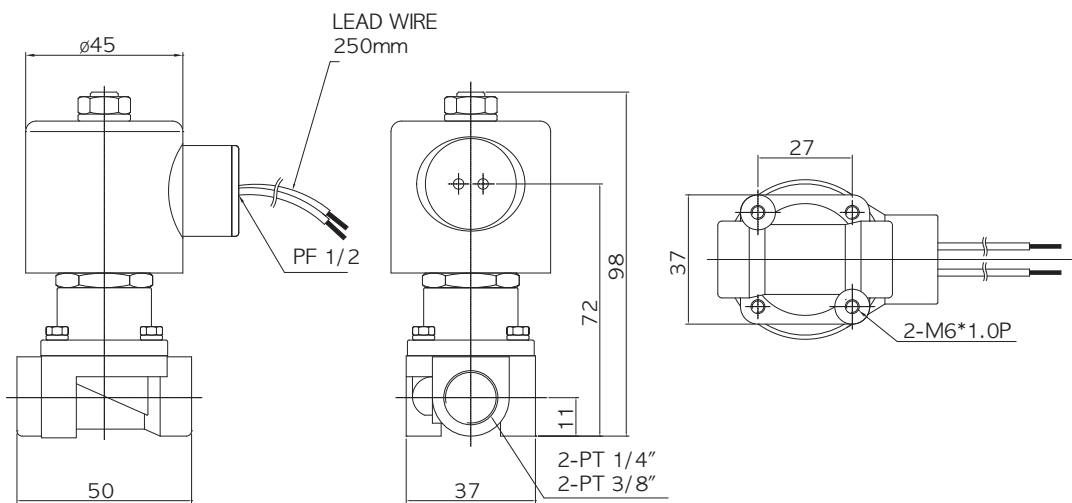
Direct acting type

DW03 - ○ - 01
02



Pilot type

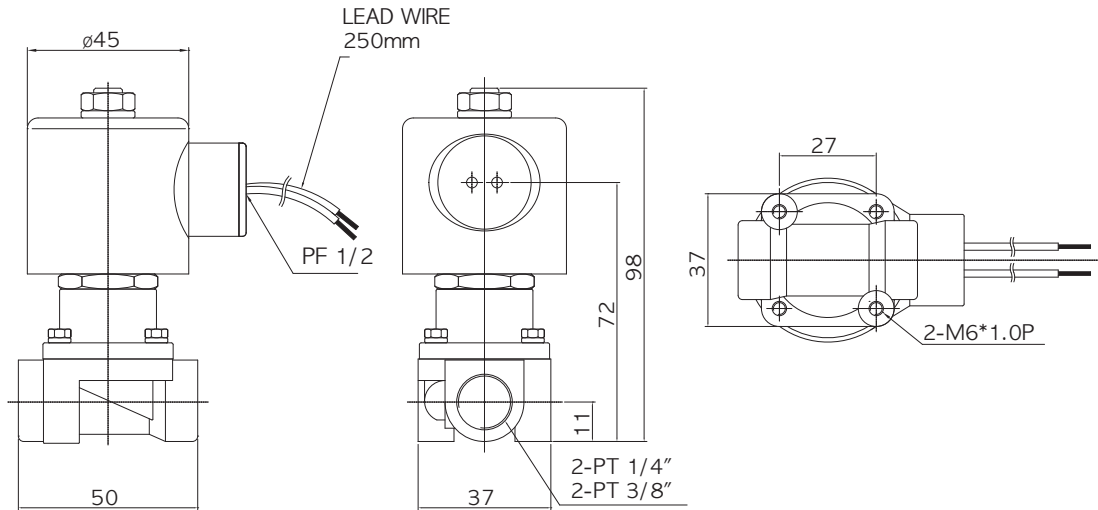
DW10 - ○ - 02



2 Port solenoid valve (Pilot type, Flange type) DW series

Pilot type

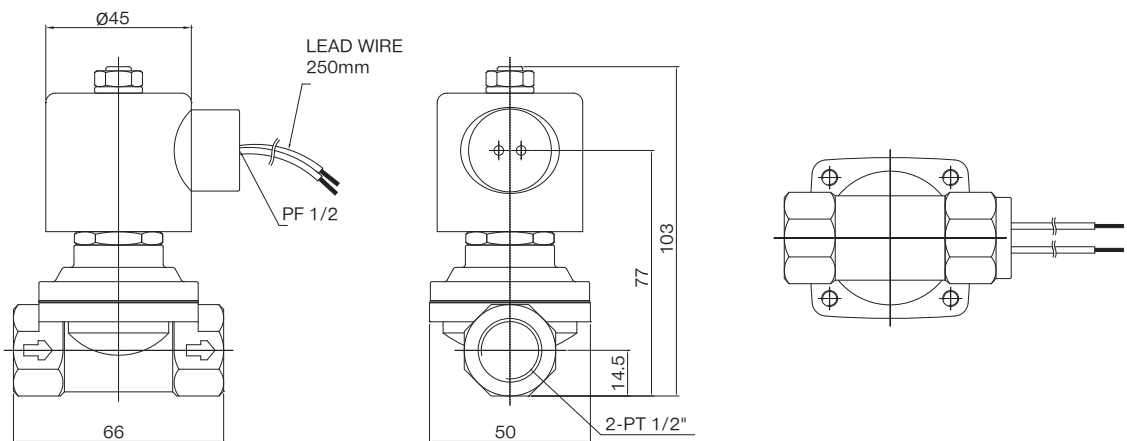
DW10 - ○ - 03



Pilot type

DW15 - ○ - 04

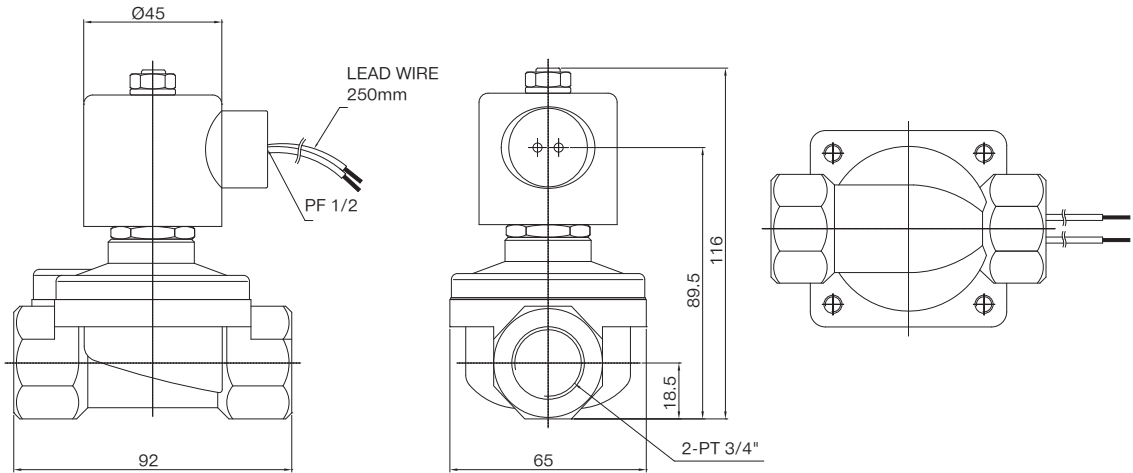
※ Contact us for DW15-O-04(N.O type)



DW series

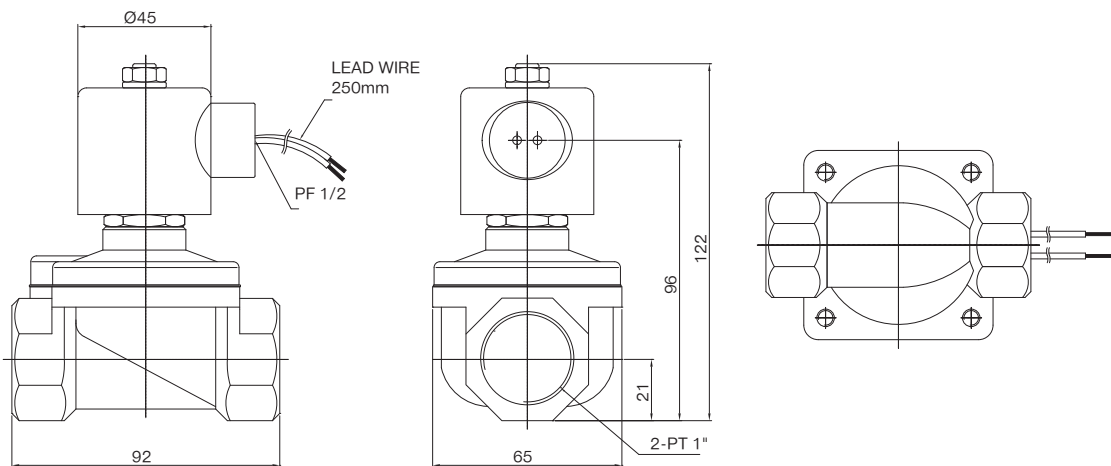
Pilot type

DW20 - ○ - 08



Pilot type

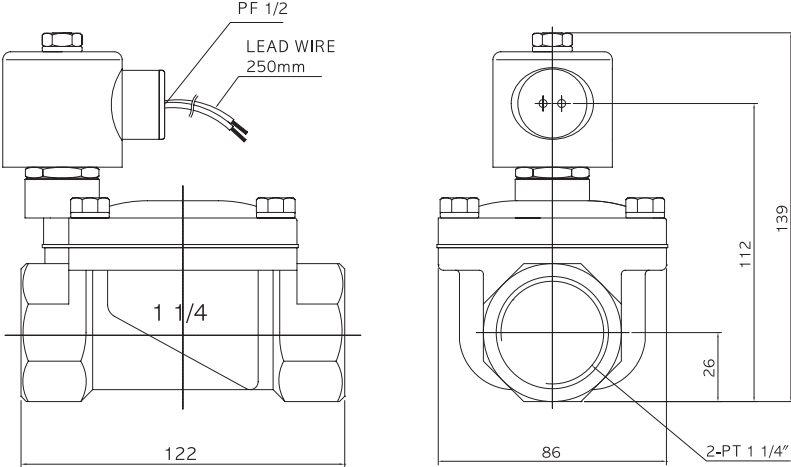
DW25 - ○ - 10



2 Port solenoid valve (Pilot type, Flange type) DW series

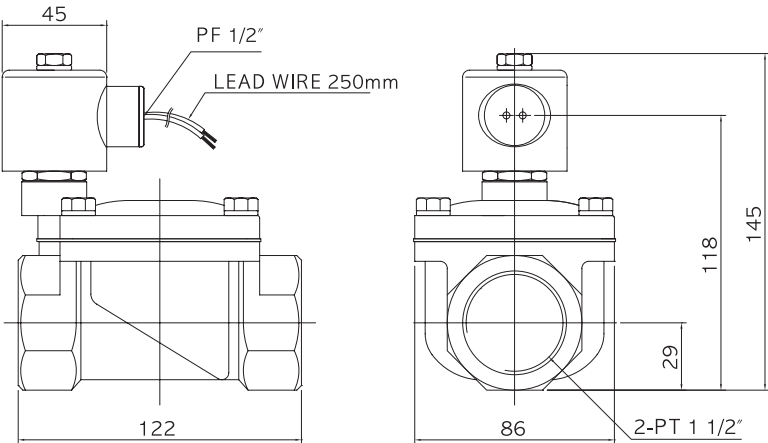
Pilot type

DW32 - ○ - 12



Pilot type

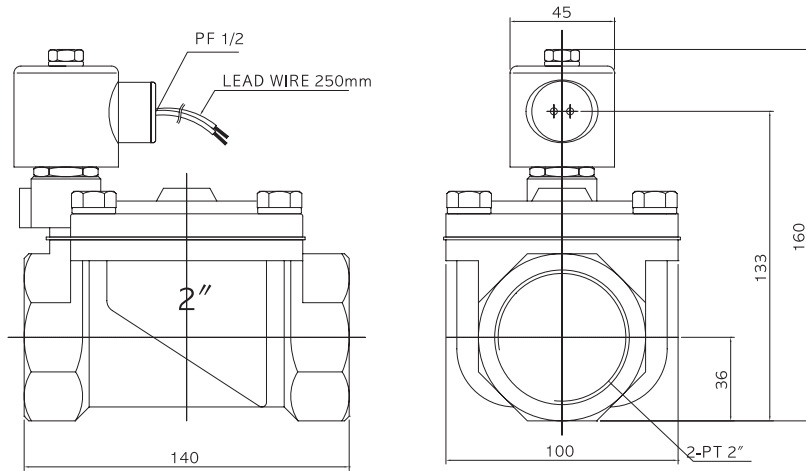
DW40 - ○ - 14



DW series

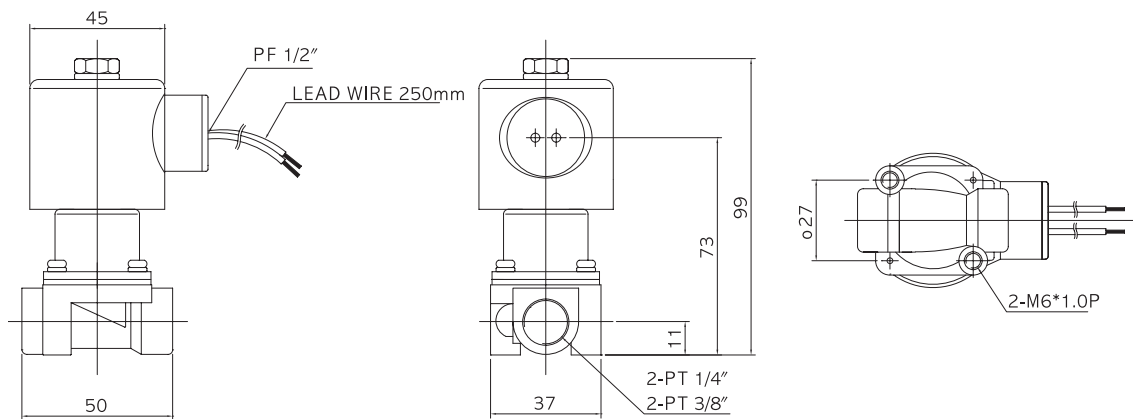
Pilot type

DW50 - ○ - 20



Steam

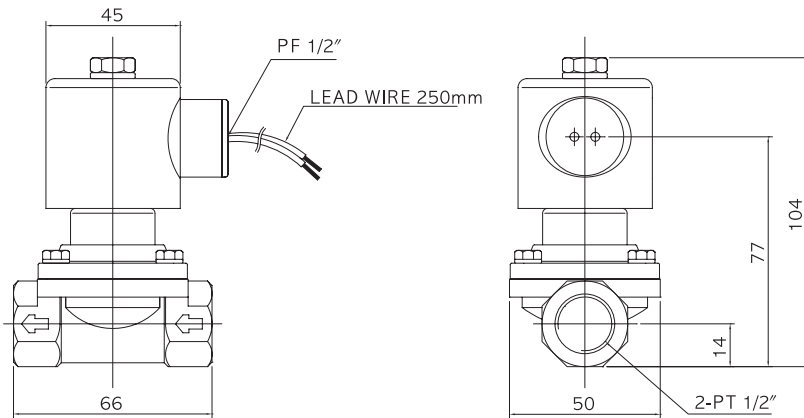
DWS10 - ○ - 02
03



2 Port solenoid valve (Pilot type, Flange type) DW series

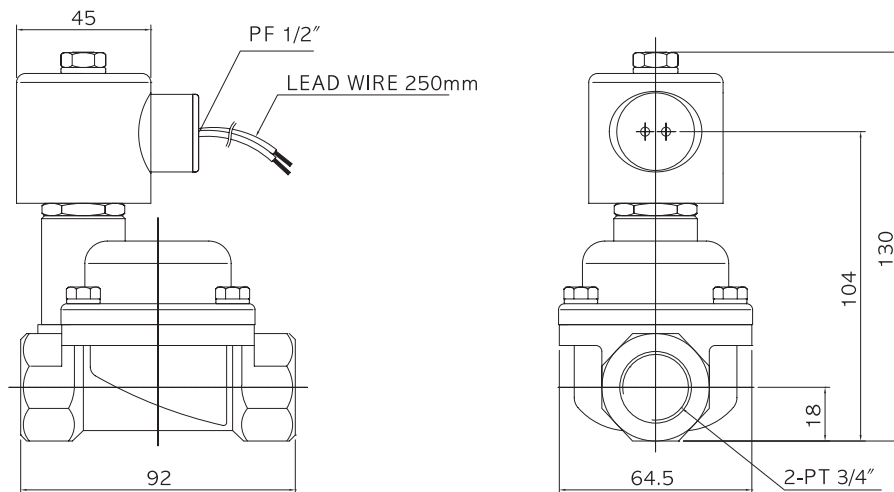
Steam

DWS15 - ○ - 04



Steam

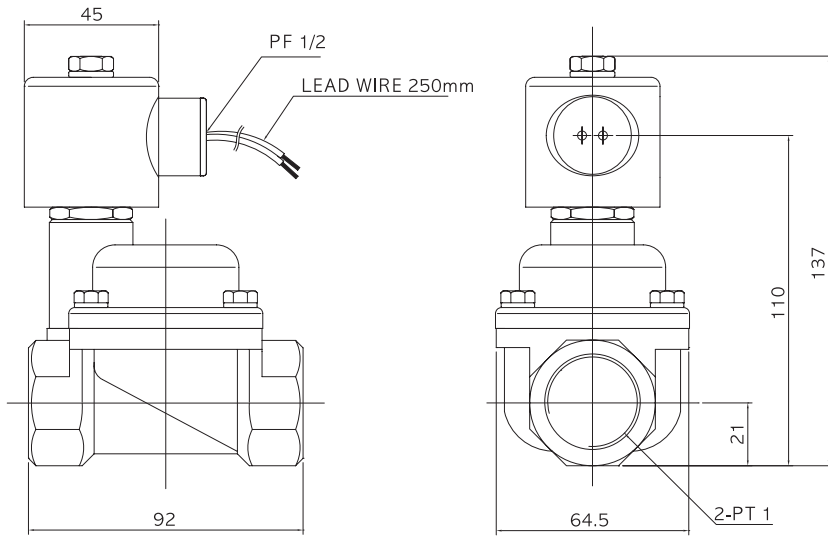
DWS20 - ○ - 06



DW series

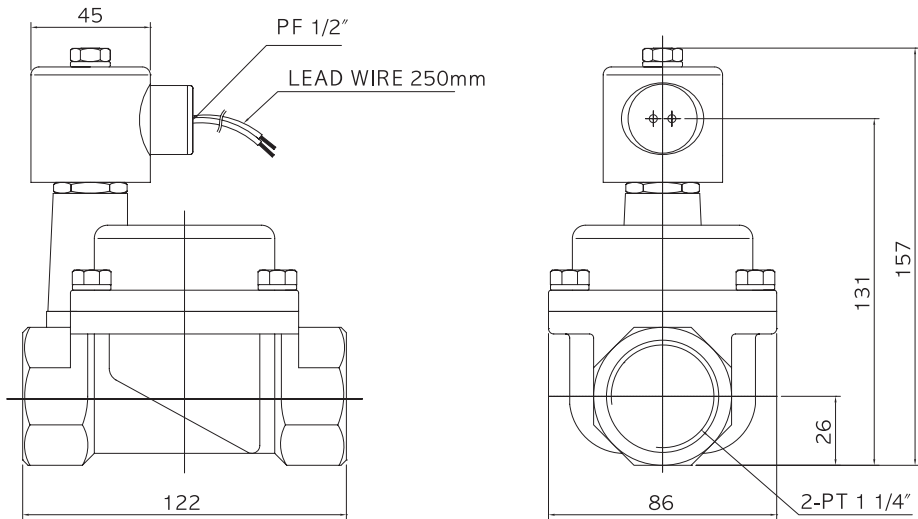
Steam

DWS25 - ○ - 10



Steam

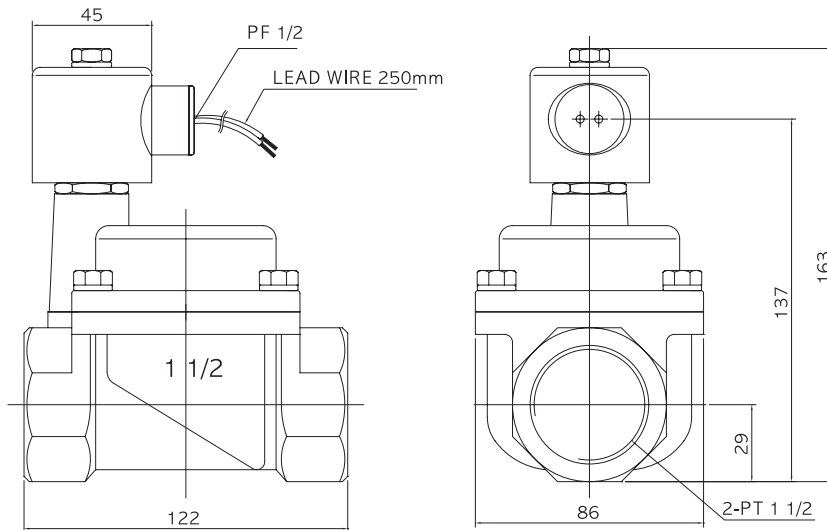
DWS32 - ○ - 12



2 Port solenoid valve (Pilot type, Flange type) DW series

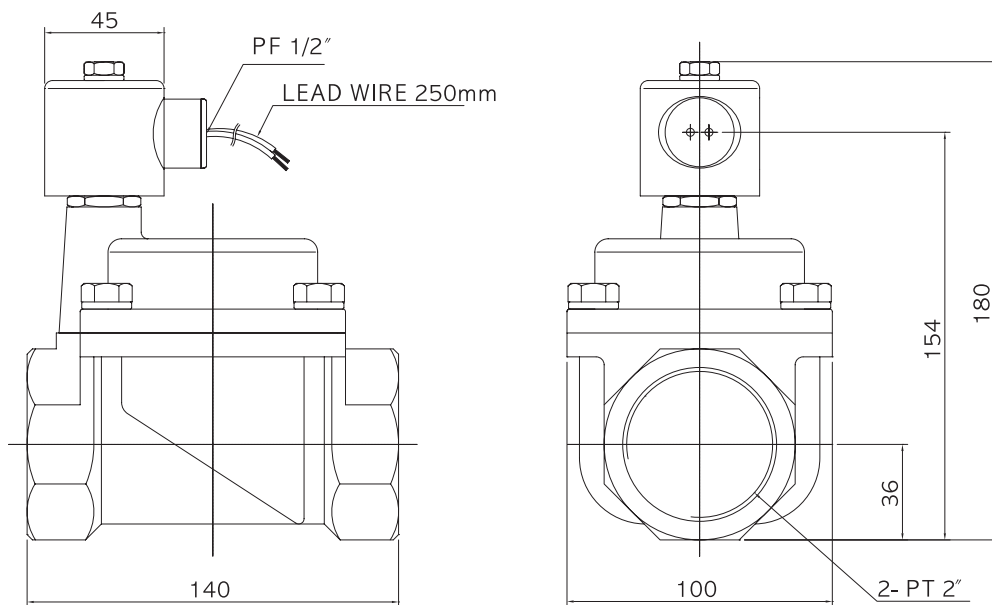
Steam

DWS40 - ○ - 14



Steam

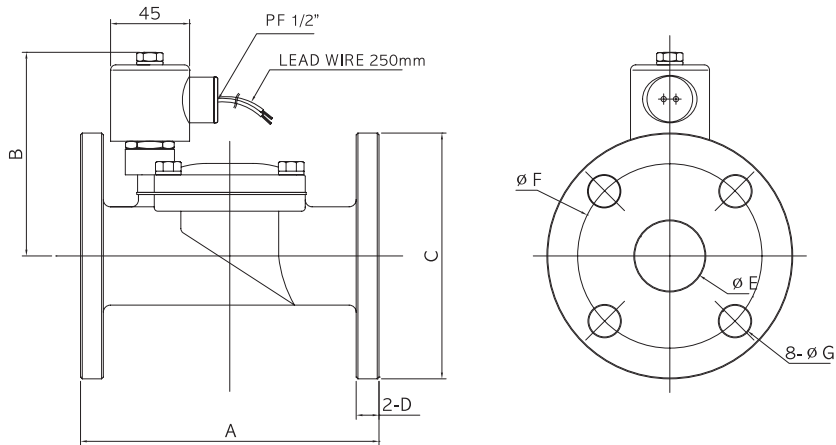
DWS50 - ○ - 20



DW series

Flange type

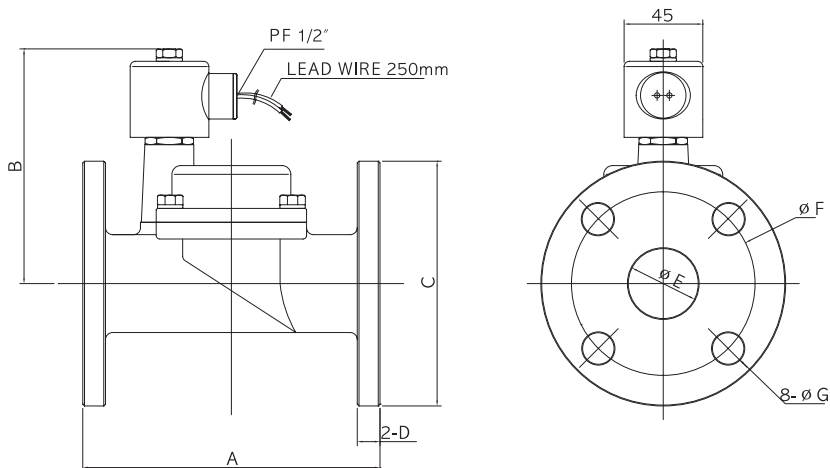
DWF



Orifice	Flange	A	B	C	D	E	F	G
Ø25	25A	127	99	125		25	90	18
Ø32	32A	170	117	135	13	35	100	18
Ø40	40A	170	117	140		40	105	18
Ø50	SOA	180	123	155	14	TO	120	18

Flange type

DWSF



Orifice	Flange	A	B	C	D	E	F	G
Ø25	25A	27	115	125	13	25	90	18
Ø32	32A	70	135	125	13	35	100	18
Ø40	40A		135	125		40	105	18
Ø50	SOA	180	145	125	14	TO	120	18