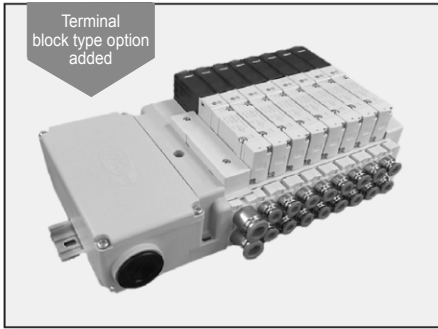


# RS1000, 2000 Series

Plug-in type 5-port pilot type solenoid valve

Directional Control Valve

RS 1000, 2000 Series



- Able to connect with din rail or tie rod in accordance with utilization condition
- No restriction on installation location and quantity of SUP/EXH block
- Up to 24 connections for single and 12 connections for double
- Response to both (+) and (-) common (Dual 3-port type responds only for (+) common)
- Able to make single, double, 3-position and dual 3-port 4 position
- Able to install single and double valve on the same base
- Able to use D-Sub connector, Flat cable connector and SI Unit

## Specifications

Applied fluid		Air	
Operating pressure range MPa(kgf/cm <sup>2</sup> )	Internal pilot	2 position single	0.15~0.7 (1.5~7.1)
		2 position single	0.1~0.7 (1~7.1)
		3 position	0.2~0.7 (2~7.1)
		4 position dual 3 port	0.15~0.7(2~7.1)
	External pilot	Operating pressure range	-100kPa~0.7MPa
		Pilot pressure	0.25~0.7
Ambient and fluid temperature(°C)		-5 ~ 50	
Manual override		Non-lock push type	
Pilot exhaust method	Internal pilot	Integrated exhaust type for main and pilot valve	
	External pilot	Pilot valve individual exhaust type	
Lubrication		Non-lube	
Mounting		Unrestricted	
Impact/Vibration-resistance %		150/30 (8.3~2000Hz)	
Maximum operation frequency (Hz)	2 position, 4 position	5	
	3 position	3	
Enclosure		IP 40, IP65 (block type)	
Rated voltage (V)		DC 24, DC 12	
Allowable voltage fluctuation (%)		-10 ~ + 10 of rated voltage	
Polarity		Polar based (Note 1)	
Power consumption (W)		0.45	

Note 1) Dual 3-port type is basically (+) common, and if you want (-) common, separate orders are required.



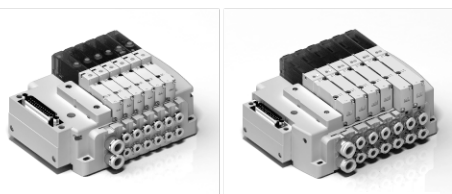
RS2000 Terminal block type

## Manifold specifications

Index	RS 1000	RS 2000
Connection method between blocks	Compatible between din rail and tie rod	
SUP/EXH method	Integrated SUP/EXH	
Max. stations	24 Stations	
Number of output	24	
Port size	P, R	Ø8, Ø5/16
	A, B	Ø4, Ø6, Ø5/32, Ø1/4
		Ø10, Ø3/8 Ø4, Ø6, Ø5/32, Ø1/4, Ø5/16

## Weight sheet

Item	RS 1000	RS 2000
Valve	Single	60
	Double	68
	3-Position	70
Terminal box side cover ass'y	-	512
D-sub/Flat cable manifold side cover ass'y	232	338
Base	36	80



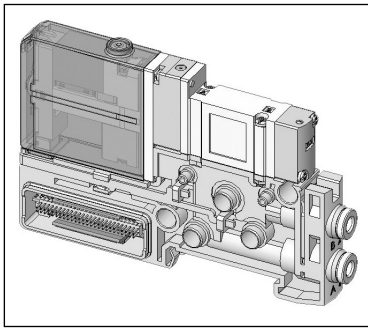
RS1000 standard

RS2000 standard

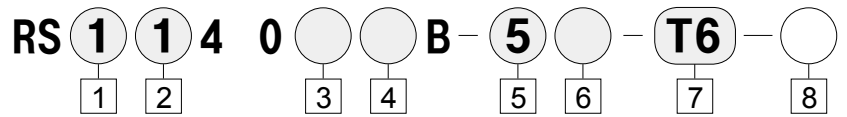


D-sub

Flat cable



## How to order valve & base assembly



### 1 Series

- 1 : RS 1000
- 2 : RS 2000

### 2 Configuration

1	2 position single	
2	2 position double	
3	3 position closed center	
4	3 position exhaust center	

5	3 position pressure center	
6	4 position dual 3-port : NC, NC	
7	4 position dual 3-port : NO, NO	
8	4 position dual 3-port : NC, NO	

### 3 Pilot specifications

- Blank : Internal pilot
- P : External pilot

### 4 IP marking

Blank	IP40
T	Dust proof (IP65)

Note) T(IP65) type is only for RS2000 terminal block type manifold

### 5 Rated voltage

- 5 : DC 24V
- 6 : DC 12V

### 6 Coil option

- P : +com
- N : -com

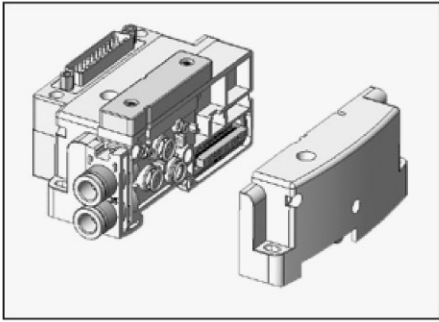
### 7 A, B port size

Symbol	mm	Symbol	Inch	Series
T3	Ø3	-	-	RS1000
T4	Ø4	U4	Ø5/32	
T6	Ø6	U6	Ø1/4	RS2000
T4	Ø4	U4	Ø5/32	
T6	Ø6	U6	Ø1/4	
T8	Ø8	U8	Ø5/16	

### 8 PCB wiring specifications

- Blank : Double wiring specifications
- S : Single wiring specifications

Note) Single also uses basic double wiring specifications, and single wiring is combined only for over 12 connection setting.



## How to order manifold

RSM 1 A — T — — B — — T8

1
2
3
4
5
6

### 1 Series





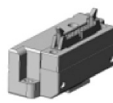
- 1 : RS 1000
- 2 : RS 2000

### 2 Connector type

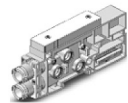
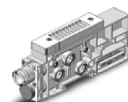
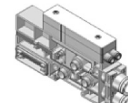
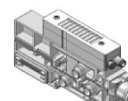
- T : Terminal block
- D : D-sub connector
- F : Flat cable connector

### 3 Connector type

- Blank : Terminal block
- D : D-sub connector
- V : Vertical direction
- H : Horizontal direction

Connector type	Horizontal direction	Vertical direction
Terminal block		
D-sub connector		
Flat cable connector		

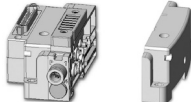
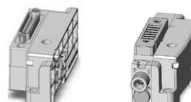

### 5 Pilot specifications

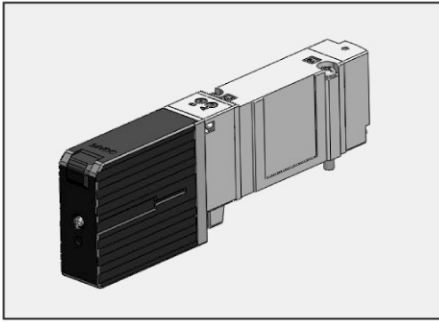
Blank	Internal pilot	
N	Internal pilot with silencer	
P	External pilot	
PN	External pilot with silencer	

### 6 P, PE port size

Symbol	mm	Symbol	Inch	Applied series
T8	Ø8	U8	Ø5/32"	RS1000
T10	Ø10	U10	Ø3/8"	RS2000

### 4 Sup/Exh position

<b>B</b> (2~10 stations)	
<b>T</b> (2~10 stations)	
<b>A</b> (more than 11 stations)	



## How to order valve

**RS** 1 1 **4** **0**     **B** - 5   -  

### 1 Series

- 1 : RS 1000
- 2 : RS 2000

### 2 Configuration

1	2 position single		5	3 position pressure center	
2	2 position double		6	4 position dual 3-port : NC, NC	
3	3 position closed center		7	4 position dual 3-port : NO, NO	
4	3 position exhaust center		8	4 position dual 3-port : NC, NONO	

### 3 Pilot specifications

- Blank : Internal pilot
- P : External pilot

### 6 Coil option

- P : +com
- N : -com

### 4 IP Marking

Blank	IP marking
T	Dust proof (IP65)

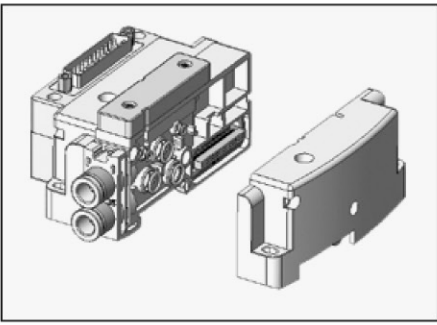
Note) T(IP65) type is only for RS2000 terminal block type manifold

### 7 Manifold attachment

- Blank : No manifold
- WM : Manifold attached

### 5 Rated voltage

- 5 : DC 24V
- 6 : DC 12V



## How to order Sup/Exh block

RSM

① S — ○ M T

1                      2    3    4

### ① Series

- 1 : RS 1000
- 2 : RS 2000

### ③ P, PE port size

Symbol	mm	Symbol	Inch	Applied series
T8	Ø8	U8	Ø5/32"	RS1000
T10	Ø10	U10	Ø3/8"	RS2000

### ② Pilot specifications

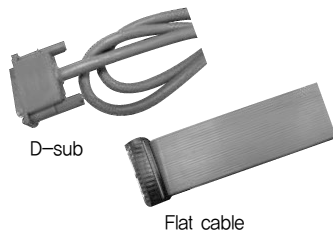
Blank	Internal pilot	
N	Internal pilot, with silencer	
P	External pilot	
PN	External pilot with silencer	

### ④ IP marking

Blank	IP40
T	Dust proof (IP65)

Note) T(IP65) type is only for RS2000 terminal block type manifold

### ■ How to order cable



RSM — C — ○ D — 15

1                      2

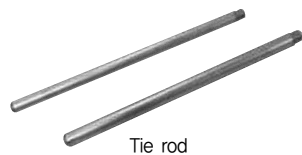
### ① Connector type

- D : D-sub connector (25-pin)
- F : Flat cable connector (26-pin)

### ② Length of cable

- 15 : 1.5m
- 30 : 3m
- 50 : 5m

### ■ How to order tie rod



RSM

① T — B ○ 5 — ○

1                      2                      3

### ① Series

- 1 : RS1000
- 2 : RS2000

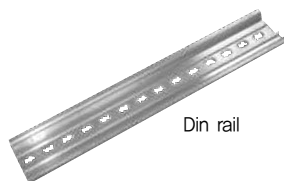
### ② Stations

(5~24 stations)

### ③ Sup/Exh station

- Blank : 1 station
- S2 : 2 station
- S3 : 3 station
- 4 : 4 station

### ■ How to order din rail



RSM

① D — B ○ 06 — ○

1                      2                      3

### ① Series

- 1 : RS1000
- 2 : RS2000

### ② Stations

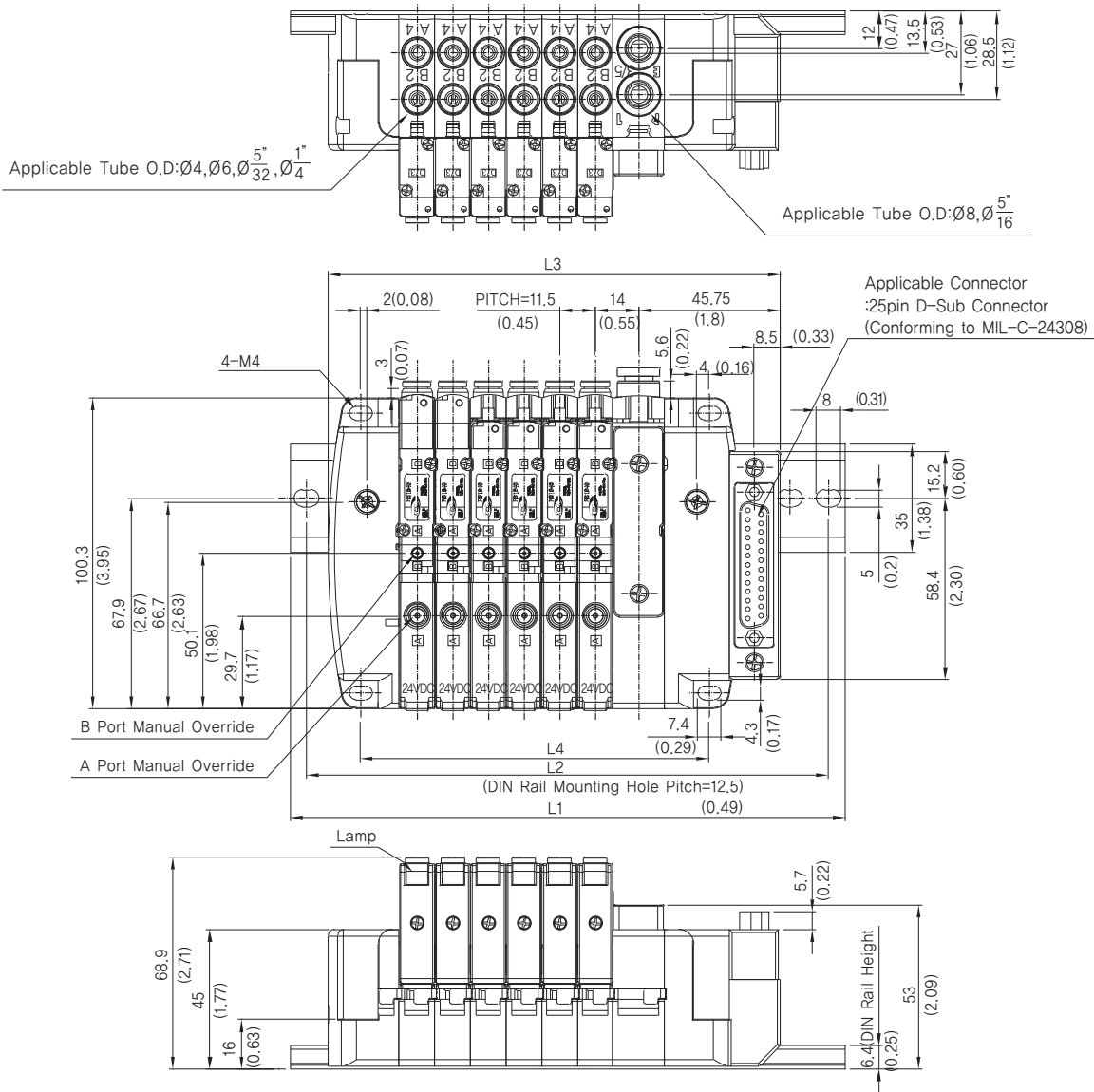
- 06 : 2~6 stations
- 10 : 7~10 stations
- 15 : 11~15 stations
- 20 : 16~20 stations
- 24 : 21~24 stations

### ③ Connector type

- Blank : D-sub connector
- Flat cable connector
- T : Terminal block type

# Series RS 1000, 2000

## RS1000 External Dimension Drawing (Basic Type, D-Sub)

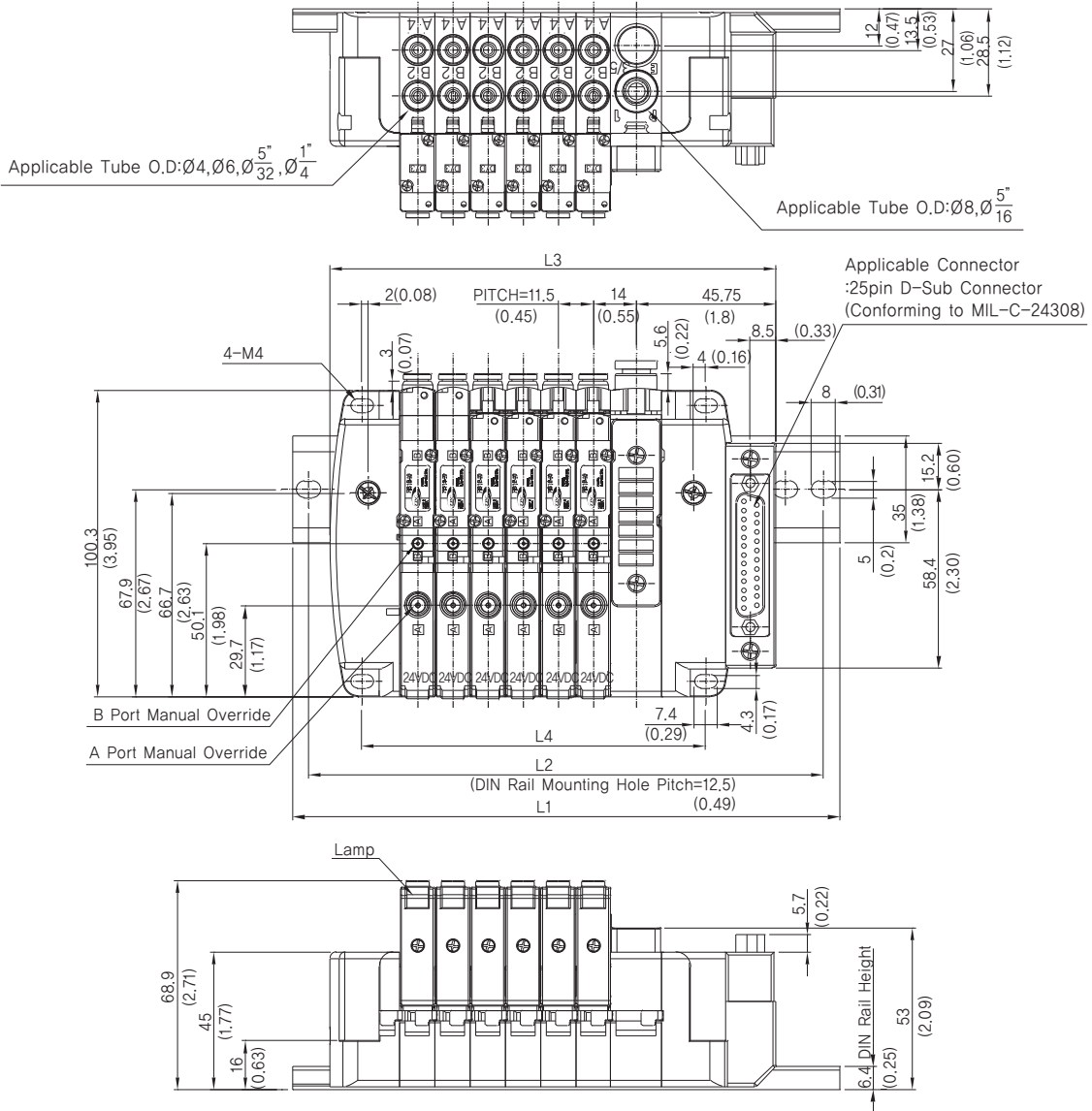


### Dimensions

L	n	2	3	4	5	6	7	8	9	10	11	12	13	14	15	16	17	18	19	20	21	22	23	24
		L1	mm		200					250				300						387.5				
L1	inch		7.87					9.84				11.81						15.26					17.22	
L2	mm		187.5					237.5				287.5						375					425	
L2	inch		7.38					9.35				11.32						14.76					16.73	
L3	mm	100	111.5	123	134.5	146	157.5	169	180.5	192	220	231.5	243	245.5	266	277.5	289	300.5	312	323.5	335	346.5	358	369.5
L3	inch	3.94	4.39	4.84	5.30	5.75	6.20	6.65	7.11	7.56	8.66	9.11	9.57	10.02	10.47	10.93	11.38	11.83	12.28	12.74	13.19	13.64	14.09	14.55
L4	mm	66.5	78	89.5	101	112.5	124	135.5	147	158.5	186.5	198	209.5	221	232.5	244	255.5	267	278.5	290	301.5	313	324.5	336
L4	inch	2.62	3.07	3.52	3.98	4.43	4.88	5.33	5.79	6.24	7.34	7.80	8.25	8.70	9.15	9.61	10.06	10.51	10.96	11.42	11.87	12.32	12.78	13.23

# Series RS 1000, 2000

## RS1000 External Dimension Drawing (Built-in Silencer, D-Sub)



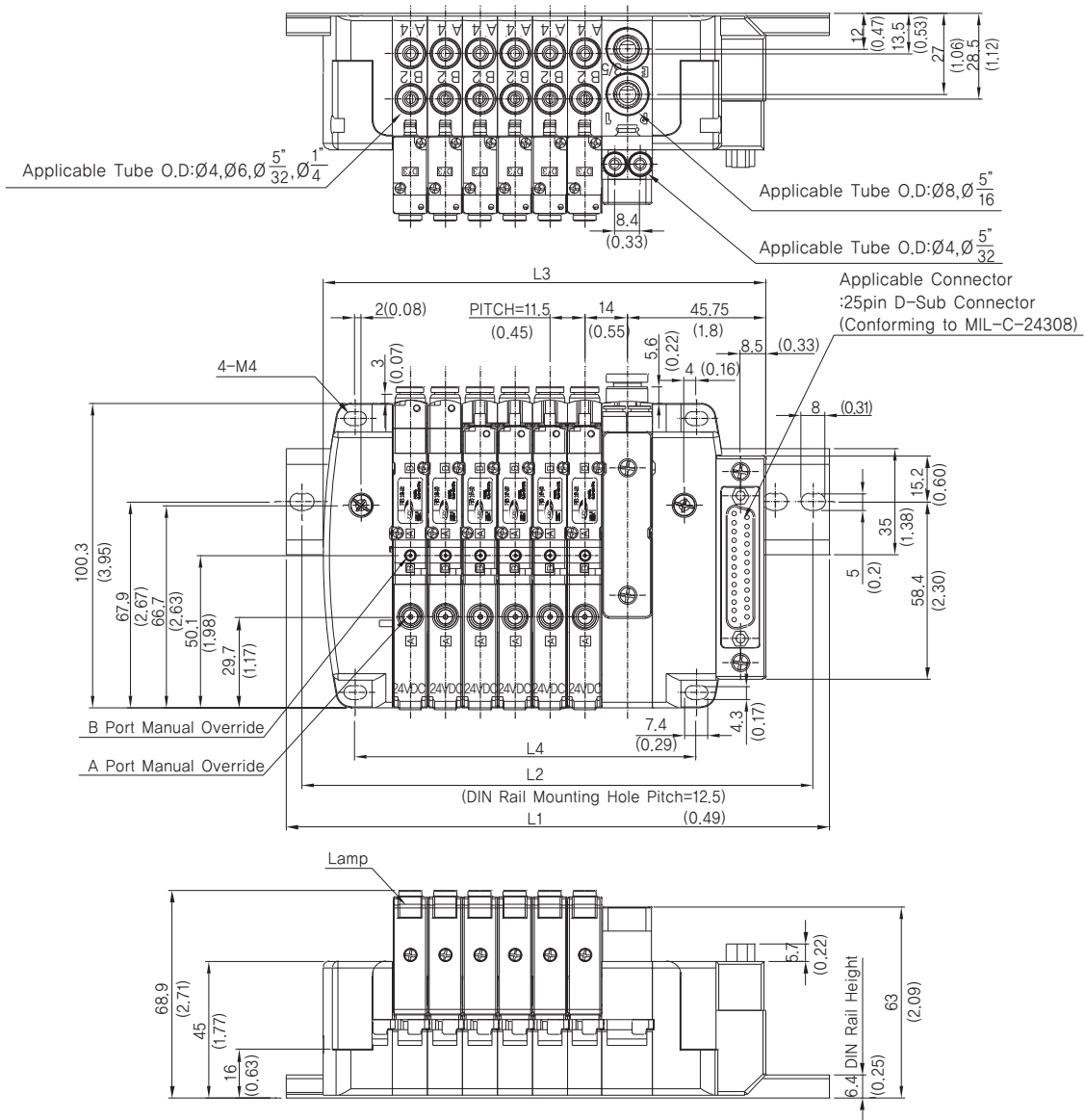
### Dimensions

L \ n	2	3	4	5	6	7	8	9	10	11	12	13	14	15	16	17	18	19	20	21	22	23	24	
L1	mm		200				250				300						387.5				437.5			
	inch		7.87				9.84				11.81						15.26				17.22			
L2	mm			187.5				237.5				287.5						375				425		
	inch			7.38				9.35				11.32						14.76				16.73		
L3	mm	100	111.5	123	134.5	146	157.5	169	180.5	192	220	231.5	243	245.5	266	277.5	289	300.5	312	323.5	335	346.5	358	369.5
	inch	3.94	4.39	4.84	5.30	5.75	6.20	6.65	7.11	7.56	8.66	9.11	9.57	10.02	10.47	10.93	11.38	11.83	12.28	12.74	13.19	13.64	14.09	14.55
L4	mm	66.5	78	89.5	101	112.5	124	135.5	147	158.5	186.5	198	209.5	221	232.5	244	255.5	267	278.5	290	301.5	313	324.5	336
	inch	2.62	3.07	3.52	3.98	4.43	4.88	5.33	5.79	6.24	7.34	7.80	8.25	8.70	9.15	9.61	10.06	10.51	10.96	11.42	11.87	12.32	12.78	13.23

- DW
- DR100
- DR200
- RS1000, 2000**
- RS4000
- SI UNIT
- DV1000
- DV3000
- DV4000
- DS300
- DS3000
- DS5000
- DS2000
- DS6000
- DX1,DX2
- DX1(2)R
- DH
- DP300
- DP3000
- DP5000
- DM
- DT220

# Series RS 1000, 2000

## RS1000 External Dimension Drawing (External Pilot, D-Sub)



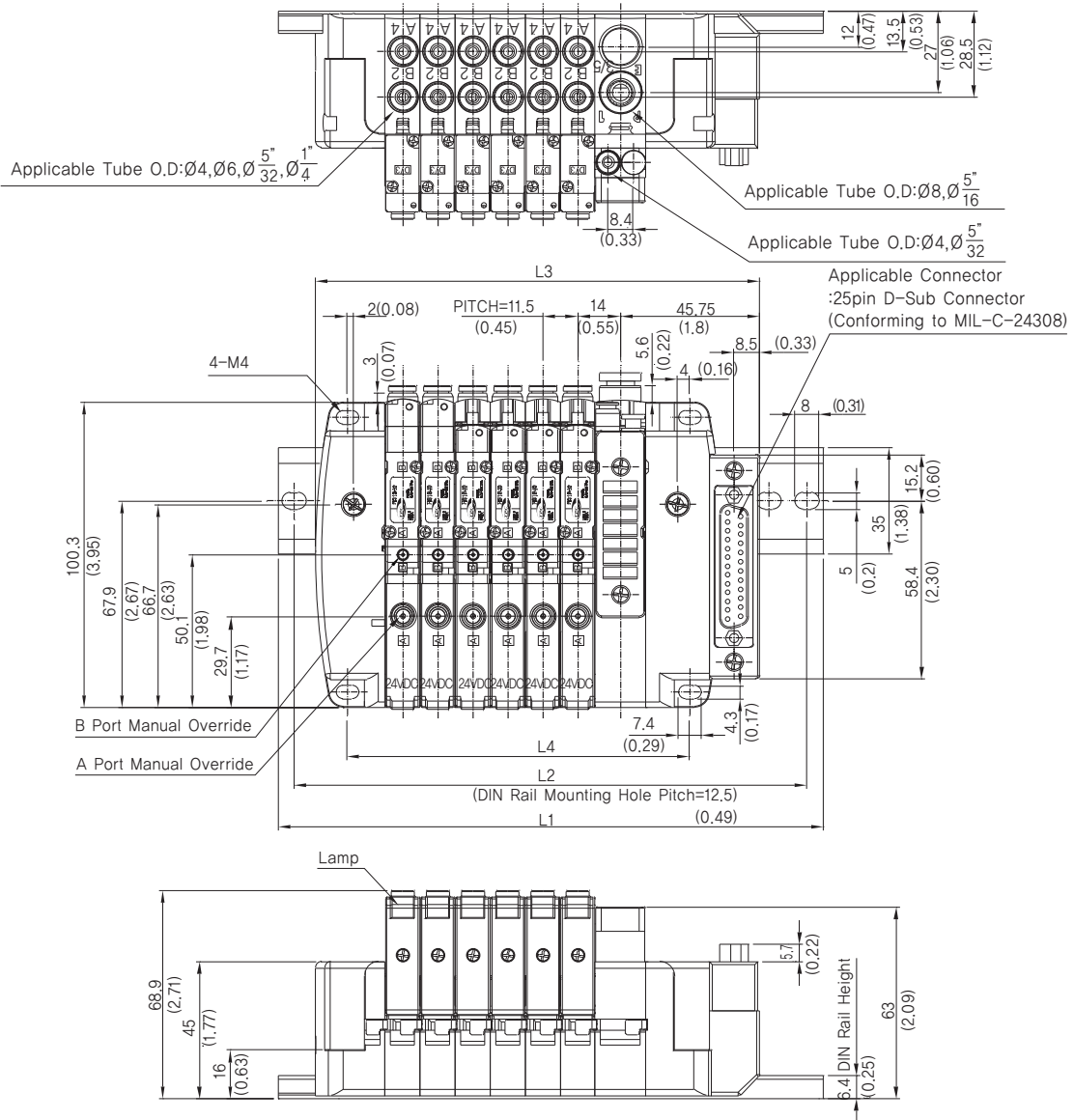
### Dimensions

L \ n	2	3	4	5	6	7	8	9	10	11	12	13	14	15	16	17	18	19	20	21	22	23	24	
L1	mm		200				250				300					387.5				437.5				
	inch		7.87				9.84				11.81					15.26				17.22				
L2	mm		187.5				237.5				287.5					375				425				
	inch		7.38				9.35				11.32					14.76				16.73				
L3	mm	100	111.5	123	134.5	146	157.5	169	180.5	192	220	231.5	243	245.5	266	277.5	289	300.5	312	323.5	335	346.5	358	369.5
	inch	3.94	4.39	4.84	5.30	5.75	6.20	6.65	7.11	7.56	8.66	9.11	9.57	10.02	10.47	10.93	11.38	11.83	12.28	12.74	13.19	13.64	14.09	14.55
L4	mm	66.5	78	89.5	101	112.5	124	135.5	147	158.5	186.5	198	209.5	221	232.5	244	255.5	267	278.5	290	301.5	313	324.5	336
	inch	2.62	3.07	3.52	3.98	4.43	4.88	5.33	5.79	6.24	7.34	7.80	8.25	8.70	9.15	9.61	10.06	10.51	10.96	11.42	11.87	12.32	12.78	13.23



# Series RS 1000, 2000

## RS1000 External Dimension Drawing (External Pilot, Built-in Silencer, D-Sub)



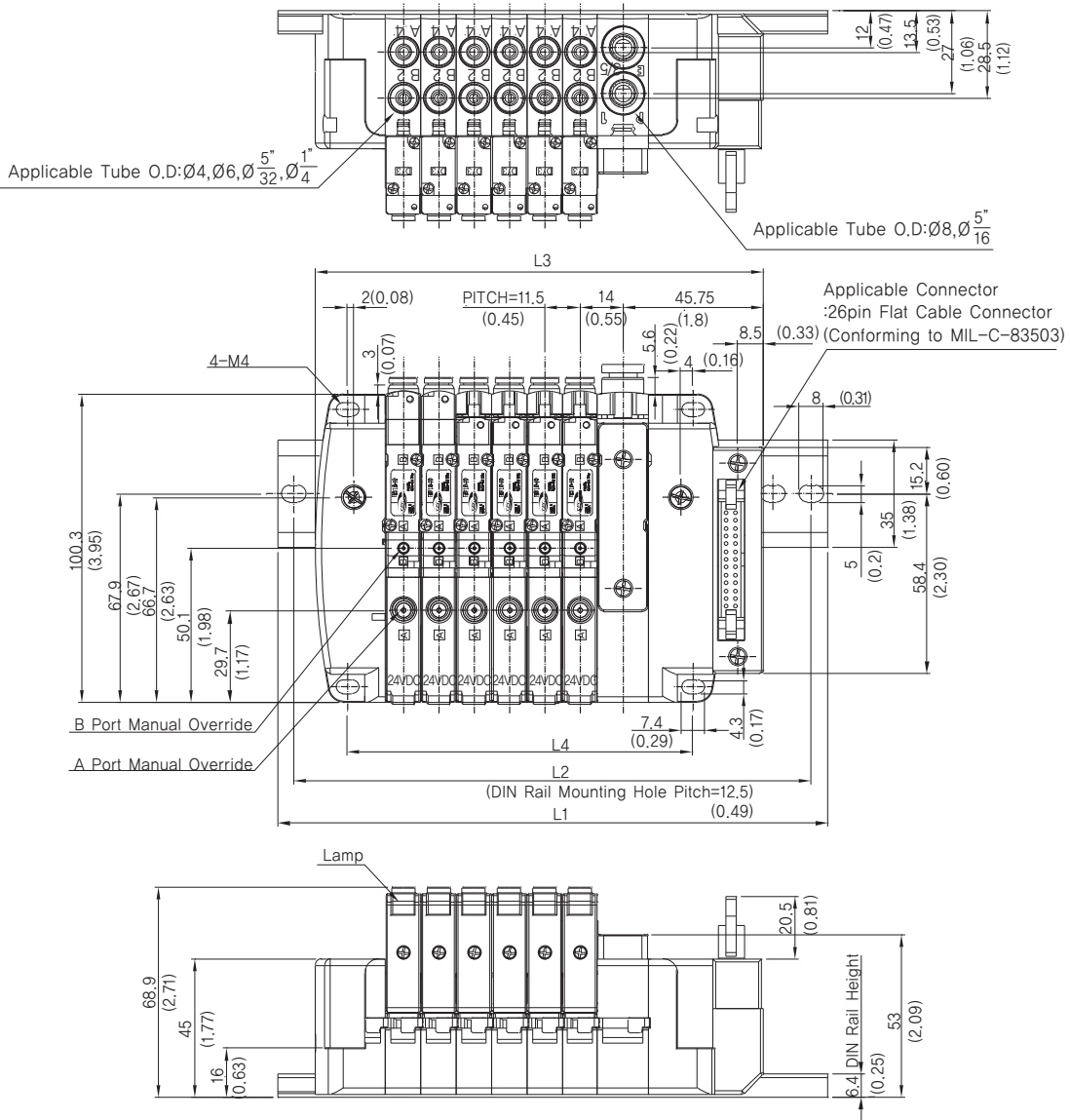
### Dimensions

L	n	2	3	4	5	6	7	8	9	10	11	12	13	14	15	16	17	18	19	20	21	22	23	24
L1	mm			200				250					300					387.5				437.5		
	inch			7.87				9.84					11.81					15.26				17.22		
L2	mm			187.5				237.5					287.5					375				425		
	inch			7.38				9.35					11.32					14.76				16.73		
L3	mm	100	111.5	123	134.5	146	157.5	169	180.5	192	220	231.5	243	245.5	266	277.5	289	300.5	312	323.5	335	346.5	358	369.5
	inch	3.94	4.39	4.84	5.30	5.75	6.20	6.65	7.11	7.56	8.66	9.11	9.57	10.02	10.47	10.93	11.38	11.83	12.28	12.74	13.19	13.64	14.09	14.55
L4	mm	66.5	78	89.5	101	112.5	124	135.5	147	158.5	186.5	198	209.5	221	232.5	244	255.5	267	278.5	290	301.5	313	324.5	336
	inch	2.62	3.07	3.52	3.98	4.43	4.88	5.33	5.79	6.24	7.34	7.80	8.25	8.70	9.15	9.61	10.06	10.51	10.96	11.42	11.87	12.32	12.78	13.23

- DW
- DR100
- DR200
- RS1000, 2000**
- RS4000
- SI UNIT
- DV1000
- DV3000
- DV4000
- DS300
- DS3000
- DS5000
- DS2000
- DS6000
- DX1,DX2
- DX1(2)R
- DH
- DP300
- DP3000
- DP5000
- DM
- DT220

# Series RS 1000, 2000

## RS1000 External Dimension Drawing (Basic Type, Flat Cable)

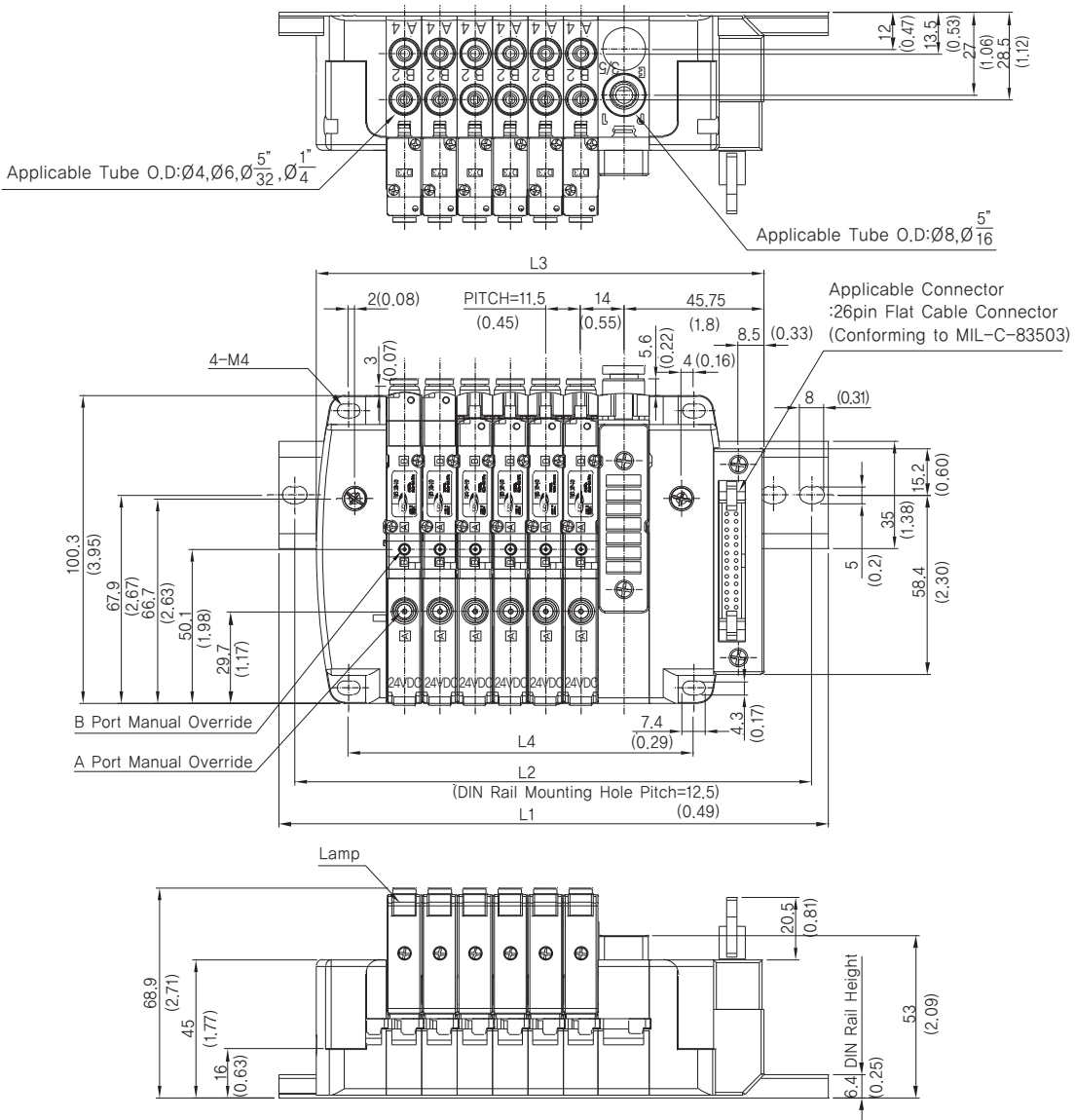


### Dimensions

L \ n	2	3	4	5	6	7	8	9	10	11	12	13	14	15	16	17	18	19	20	21	22	23	24	
L1	mm		200				250				300						387.5						437.5	
	inch		7.87				9.84				11.81						15.26						17.22	
L2	mm		187.5				237.5				287.5						375						425	
	inch		7.38				9.35				11.32						14.76						16.73	
L3	mm	100	111.5	123	134.5	146	157.5	169	180.5	192	220	231.5	243	245.5	266	277.5	289	300.5	312	323.5	335	346.5	358	369.5
	inch	3.94	4.39	4.84	5.30	5.75	6.20	6.65	7.11	7.56	8.66	9.11	9.57	10.02	10.47	10.93	11.38	11.83	12.28	12.74	13.19	13.64	14.09	14.55
L4	mm	66.5	78	89.5	101	112.5	124	135.5	147	158.5	186.5	198	209.5	221	232.5	244	255.5	267	278.5	290	301.5	313	324.5	336
	inch	2.62	3.07	3.52	3.98	4.43	4.88	5.33	5.79	6.24	7.34	7.80	8.25	8.70	9.15	9.61	10.06	10.51	10.96	11.42	11.87	12.32	12.78	13.23

# Series RS 1000, 2000

## RS1000 External Dimension Drawing (Built-in Silencer, Flat Cable)



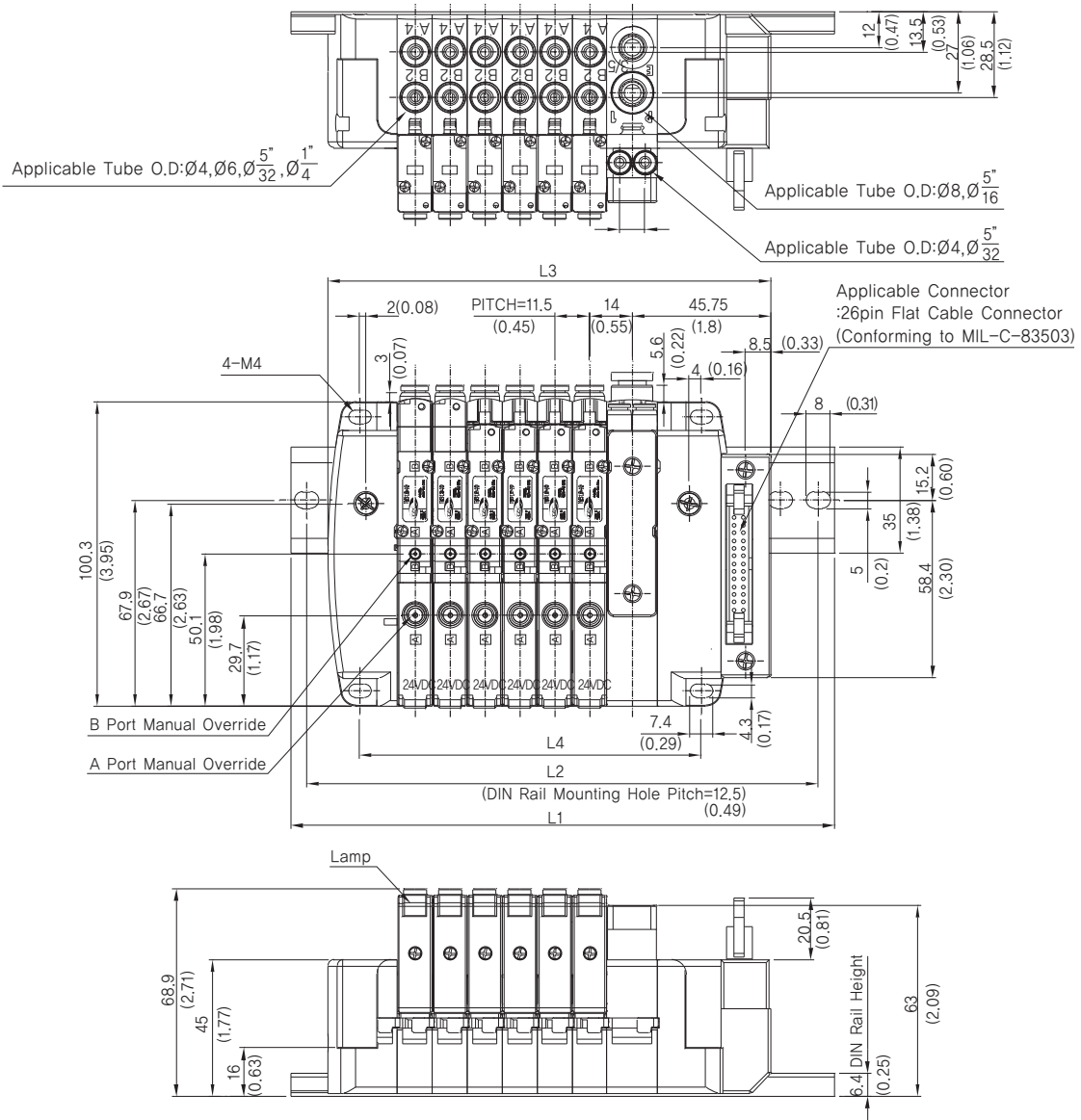
### Dimensions

L \ n	2	3	4	5	6	7	8	9	10	11	12	13	14	15	16	17	18	19	20	21	22	23	24	
L1	mm		200				250				300					387.5					437.5			
	inch		7.87				9.84				11.81					15.26					17.22			
L2	mm		187.5				237.5				287.5					375					425			
	inch		7.38				9.35				11.32					14.76					16.73			
L3	mm	100	111.5	123	134.5	146	157.5	169	180.5	192	220	231.5	243	245.5	266	277.5	289	300.5	312	323.5	335	346.5	358	369.5
	inch	3.94	4.39	4.84	5.30	5.75	6.20	6.65	7.11	7.56	8.66	9.11	9.57	10.02	10.47	10.93	11.38	11.83	12.28	12.74	13.19	13.64	14.09	14.55
L4	mm	66.5	78	89.5	101	112.5	124	135.5	147	158.5	186.5	198	209.5	221	232.5	244	255.5	267	278.5	290	301.5	313	324.5	336
	inch	2.62	3.07	3.52	3.98	4.43	4.88	5.33	5.79	6.24	7.34	7.80	8.25	8.70	9.15	9.61	10.06	10.51	10.96	11.42	11.87	12.32	12.78	13.23

- DW
- DR100
- DR200
- RS1000, 2000**
- RS4000
- SI UNIT
- DV1000
- DV3000
- DV4000
- DS300
- DS3000
- DS5000
- DS2000
- DS6000
- DX1,DX2
- DX1(2)R
- DH
- DP300
- DP3000
- DP5000
- DM
- DT220

# Series RS 1000, 2000

## RS1000 External Dimension Drawing (External Pilot Type, Flat Cable)

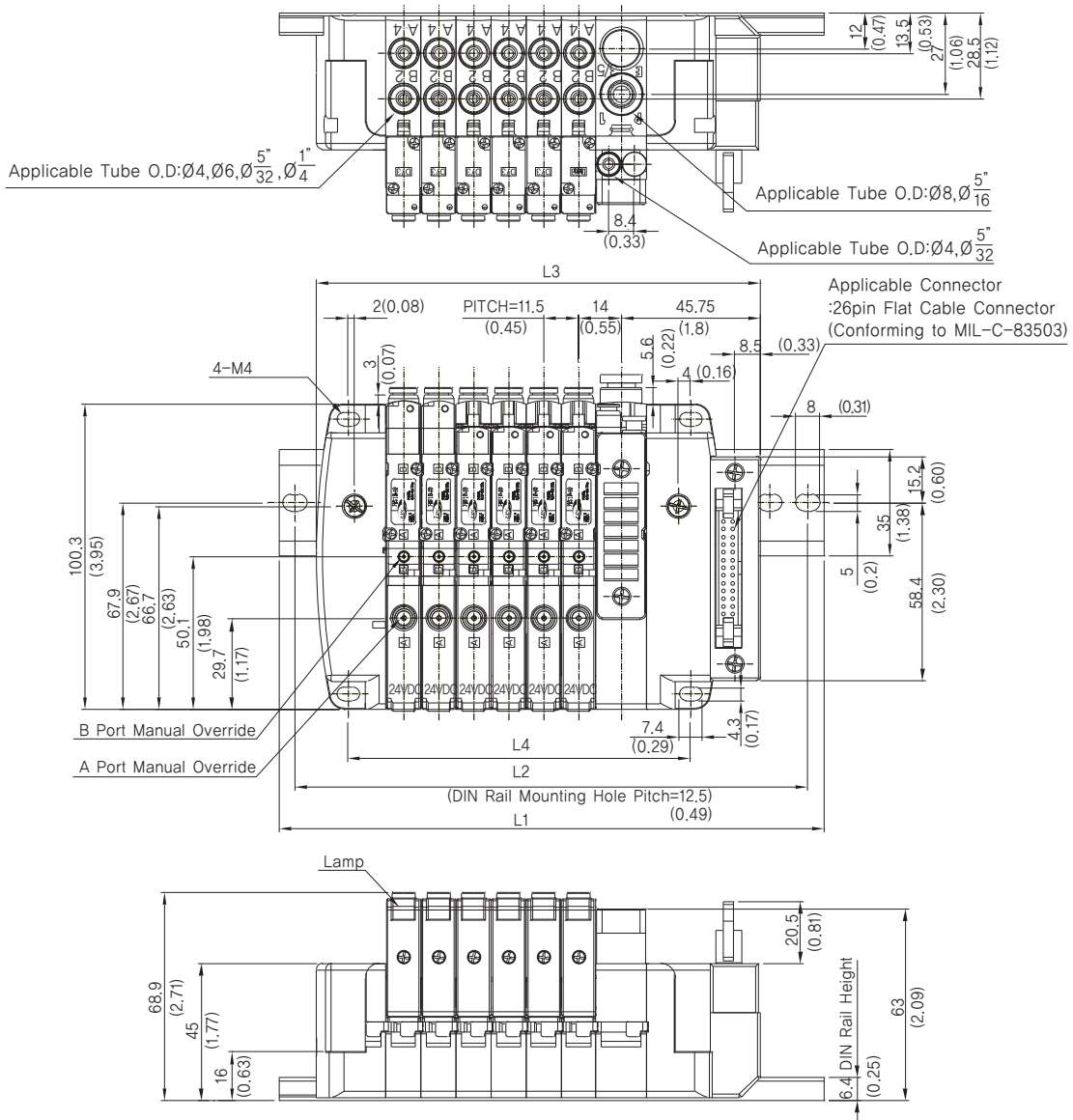


### Dimensions

L \ n	n																								
		2	3	4	5	6	7	8	9	10	11	12	13	14	15	16	17	18	19	20	21	22	23	24	
L1	mm			200				250				300					387.5						437.5		
	inch			7.87				9.84				11.81					15.26						17.22		
L2	mm			187.5				237.5				287.5					375						425		
	inch			7.38				9.35				11.32					14.76						16.73		
L3	mm	100	111.5	123	134.5	146	157.5	169	180.5	192	220	231.5	243	245.5	266	277.5	289	300.5	312	323.5	335	346.5	358	369.5	
	inch	3.94	4.39	4.84	5.30	5.75	6.20	6.65	7.11	7.56	8.66	9.11	9.57	10.02	10.47	10.93	11.38	11.83	12.28	12.74	13.19	13.64	14.09	14.55	
L4	mm	66.5	78	89.5	101	112.5	124	135.5	147	158.5	186.5	198	209.5	221	232.5	244	255.5	267	278.5	290	301.5	313	324.5	336	
	inch	2.62	3.07	3.52	3.98	4.43	4.88	5.33	5.79	6.24	7.34	7.80	8.25	8.70	9.15	9.61	10.06	10.51	10.96	11.42	11.87	12.32	12.78	13.23	

# Series RS 1000, 2000

RS1000 External Dimension Drawing (Built-in Silencer, External Pilot Type, Flat Cable)



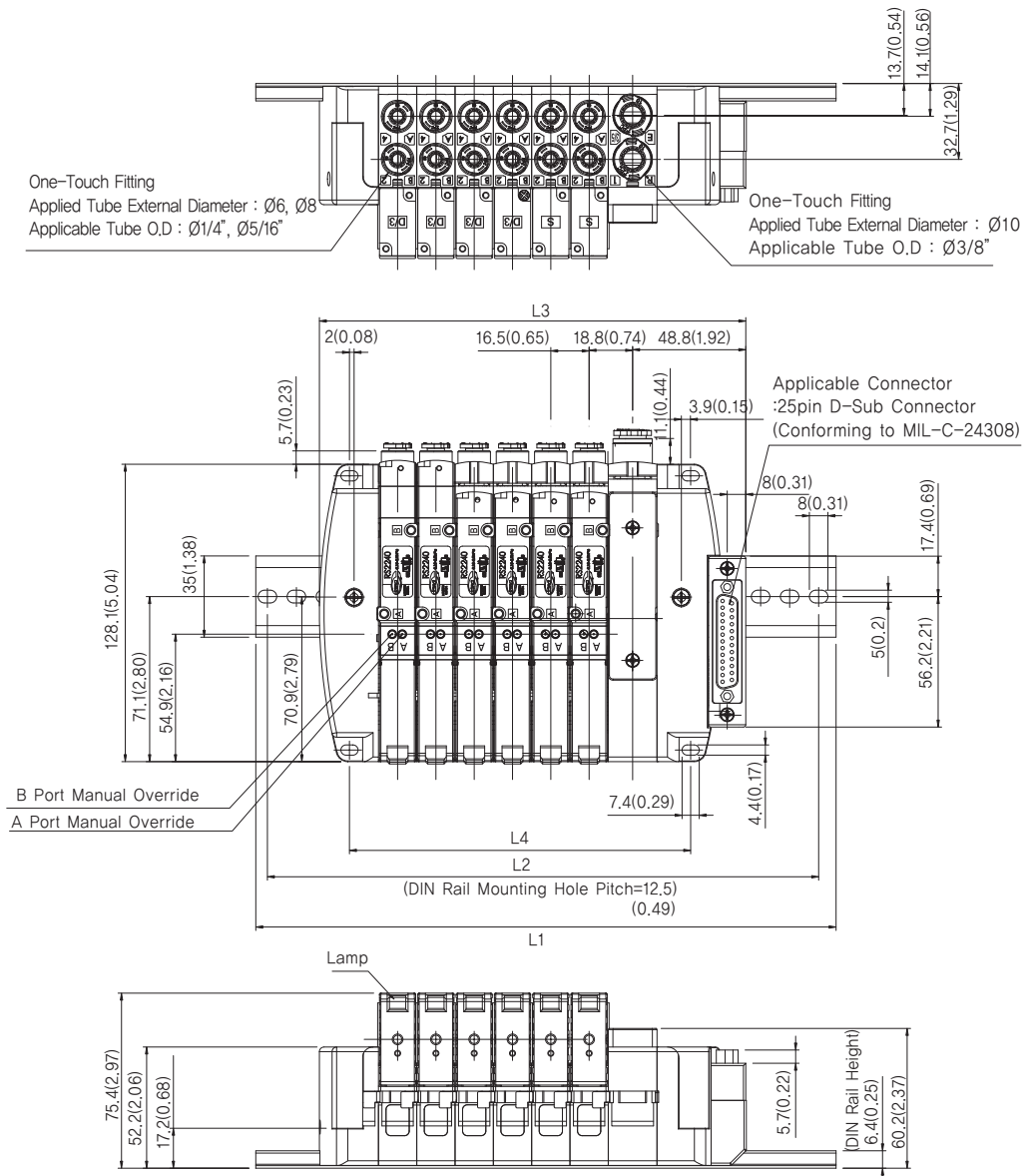
Dimensions

L	n	2	3	4	5	6	7	8	9	10	11	12	13	14	15	16	17	18	19	20	21	22	23	24
		L1	mm			200				250				300						387.5				437.5
	inch			7.87				9.84				11.81						15.26				17.22		
L2	mm			187.5				237.5				287.5						375				425		
	inch			7.38				9.35				11.32						14.76				16.73		
L3	mm	100	111.5	123	134.5	146	157.5	169	180.5	192	220	231.5	243	245.5	266	277.5	289	300.5	312	323.5	335	346.5	358	369.5
	inch	3.94	4.39	4.84	5.30	5.75	6.20	6.65	7.11	7.56	8.66	9.11	9.57	10.02	10.47	10.93	11.38	11.83	12.28	12.74	13.19	13.64	14.09	14.55
L4	mm	66.5	78	89.5	101	112.5	124	135.5	147	158.5	186.5	198	209.5	221	232.5	244	255.5	267	278.5	290	301.5	313	324.5	336
	inch	2.62	3.07	3.52	3.98	4.43	4.88	5.33	5.79	6.24	7.34	7.80	8.25	8.70	9.15	9.61	10.06	10.51	10.96	11.42	11.87	12.32	12.78	13.23

- DW
- DR100
- DR200
- RS1000, 2000**
- RS4000
- SI UNIT
- DV1000
- DV3000
- DV4000
- DS300
- DS3000
- DS5000
- DS2000
- DS6000
- DX1,DX2
- DX1(2)R
- DH
- DP300
- DP3000
- DP5000
- DM
- DT220

# Series RS 1000, 2000

## RS2000 External Dimension Drawing (External Pilot Type, Flat Cable)



### Dimensions

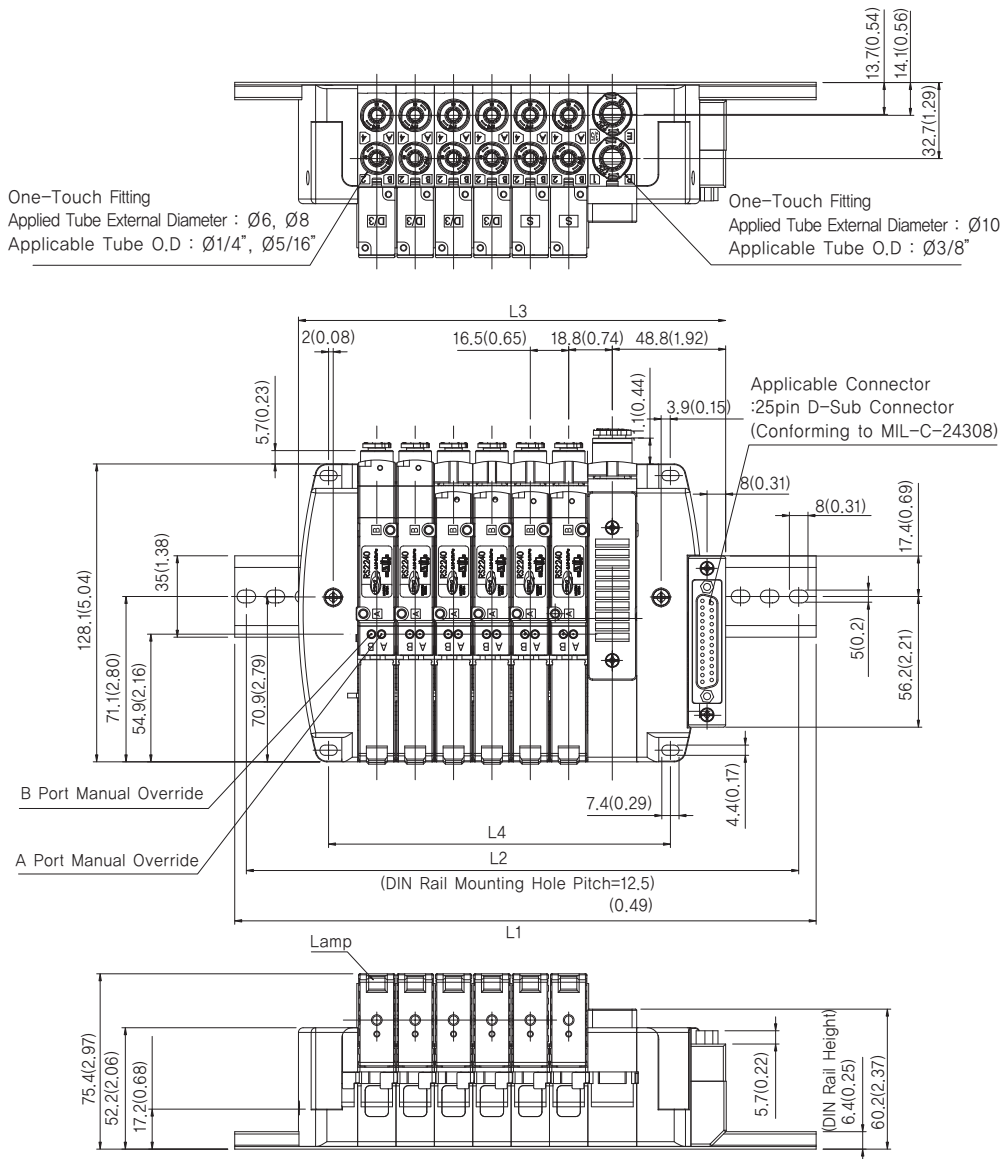
Units : mm(inch)

L \ n	n																								
		2	3	4	5	6	7	8	9	10	11	12	13	14	15	16	17	18	19	20	21	22	23	24	
L1	mm			250					300										500					587	
	inch			9.84					11.81										19.7					23.1	
L2	mm			237.5					287.5										487.5					574.5	
	inch			9.35					11.3										19.2					22.6	
L3	mm	117.7	134.2	150.7	167.2	183.7	200.2	216.7	233.2	249.7	267.2	283.7	300.2	316.7	333.2	349.7	366.2	382.7	402.7	419.2	435.7	452.2	468.7	485.2	501.7
	inch	4.63	5.28	5.93	6.58	7.23	7.88	8.53	9.18	9.83	10.48	11.13	11.78	12.43	13.08	13.73	14.38	15.03	15.68	16.33	16.98	17.63	18.28	18.93	19.58
L4	mm	81	97.5	114	130.5	147	163.5	180	196.5	213	230	246.5	263	279.5	296	312.5	329	345.5	362	378.5	395	411.5	428	444.5	461
	inch	3.19	3.84	4.49	5.14	5.79	6.44	7.09	7.74	8.39	9.04	9.69	10.34	10.99	11.64	12.29	12.94	13.59	14.24	14.89	15.54	16.19	16.84	17.49	18.14

Note 1) In case N-connection is additionally installed at Sup/Exh Block, L3 and L4 need to add 21 (0.83) X N from the dimension above.

# Series RS 1000, 2000

## RS2000 External Dimension Drawing(External Pilot Type, Flat Cable)



### Dimensions

Units : mm(inch)

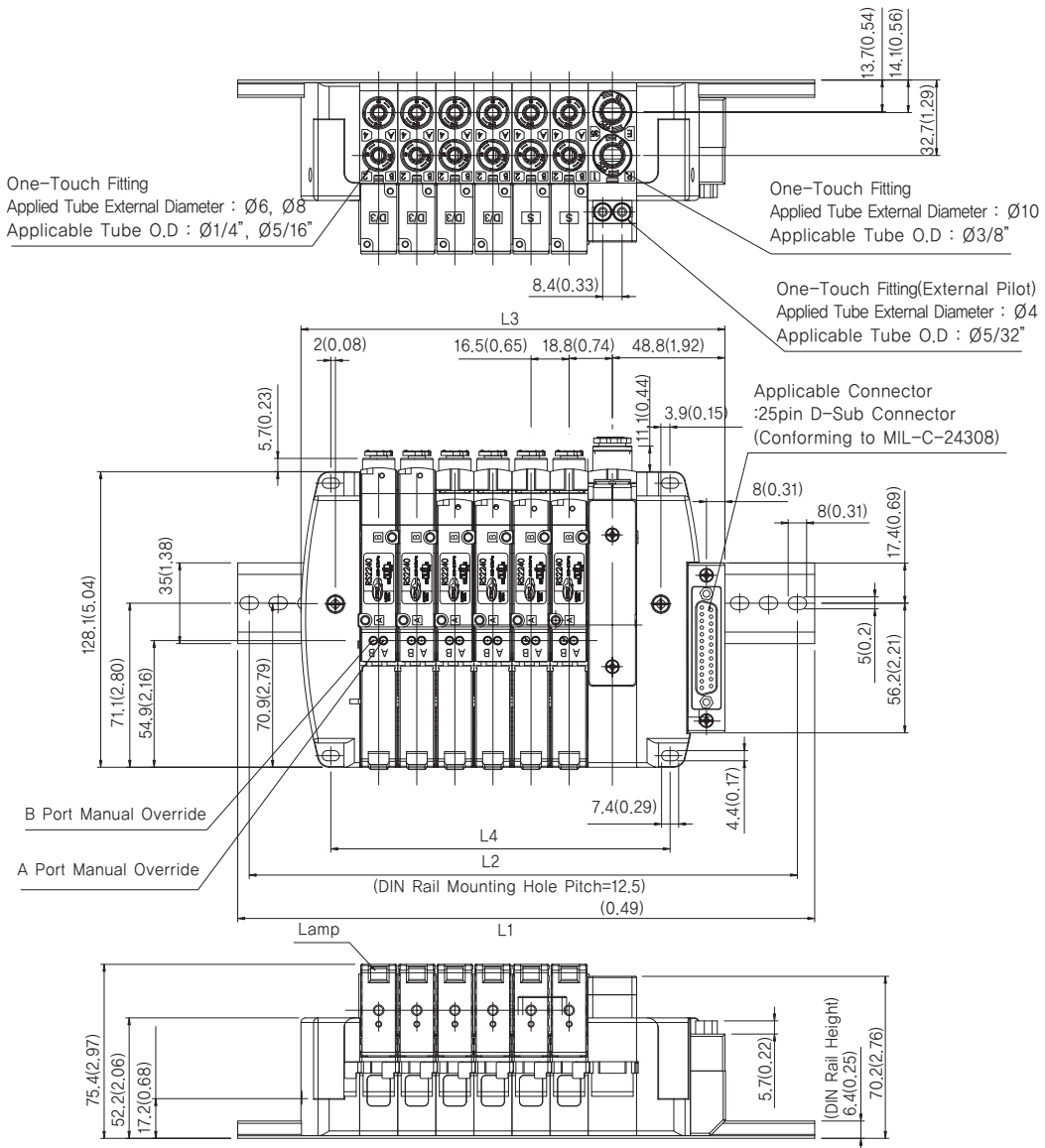
L \ n	2	3	4	5	6	7	8	9	10	11	12	13	14	15	16	17	18	19	20	21	22	23	24	
L1	mm		250				300				400					500				587				
	inch		9.84				11.81				15.7					19.7				23.1				
L2	mm		237.5				287.5				387.5					487.5				574.5				
	inch		9.35				11.3				15.2					19.2				22.6				
L3	mm	117.7	134.2	150.7	167.2	183.7	200.2	216.7	233.2	249.7	287.2	303.7	320.2	336.7	353.2	369.7	386.2	402.7	419.2	435.7	452.2	468.7	485.2	501.7
	inch	4.63	5.28	5.93	6.58	7.23	7.88	8.53	9.18	9.83	11.3	11.95	12.6	13.25	13.9	14.55	15.2	15.85	16.5	17.15	17.8	18.45	19.1	19.75
L4	mm	81	97.5	114	130.5	147	163.5	180	196.5	213	250.5	267	283.5	300	316.5	333	349.5	366	382.5	399	415.5	432	448.5	465
	inch	3.19	3.84	4.49	5.14	5.79	6.44	7.09	7.74	8.39	9.86	10.51	11.16	11.81	12.46	13.11	13.76	14.4	15.06	15.7	16.36	17	17.66	18.3

Note 1) In case N-connection is additionally installed at Sup/Exh Block, L3 and L4 need to add 21 (0.83) X N from the dimension above.

- DW
- DR100
- DR200
- RS1000, 2000**
- RS4000
- SI UNIT
- DV1000
- DV3000
- DV4000
- DS300
- DS3000
- DS5000
- DS2000
- DS6000
- DX1,DX2
- DX1(2)R
- DH
- DP300
- DP3000
- DP5000
- DM
- DT220

# Series RS 1000, 2000

## RS2000 External Dimension Drawing (External Pilot Type, Flat Cable)



### Dimensions

Units : mm(inch)

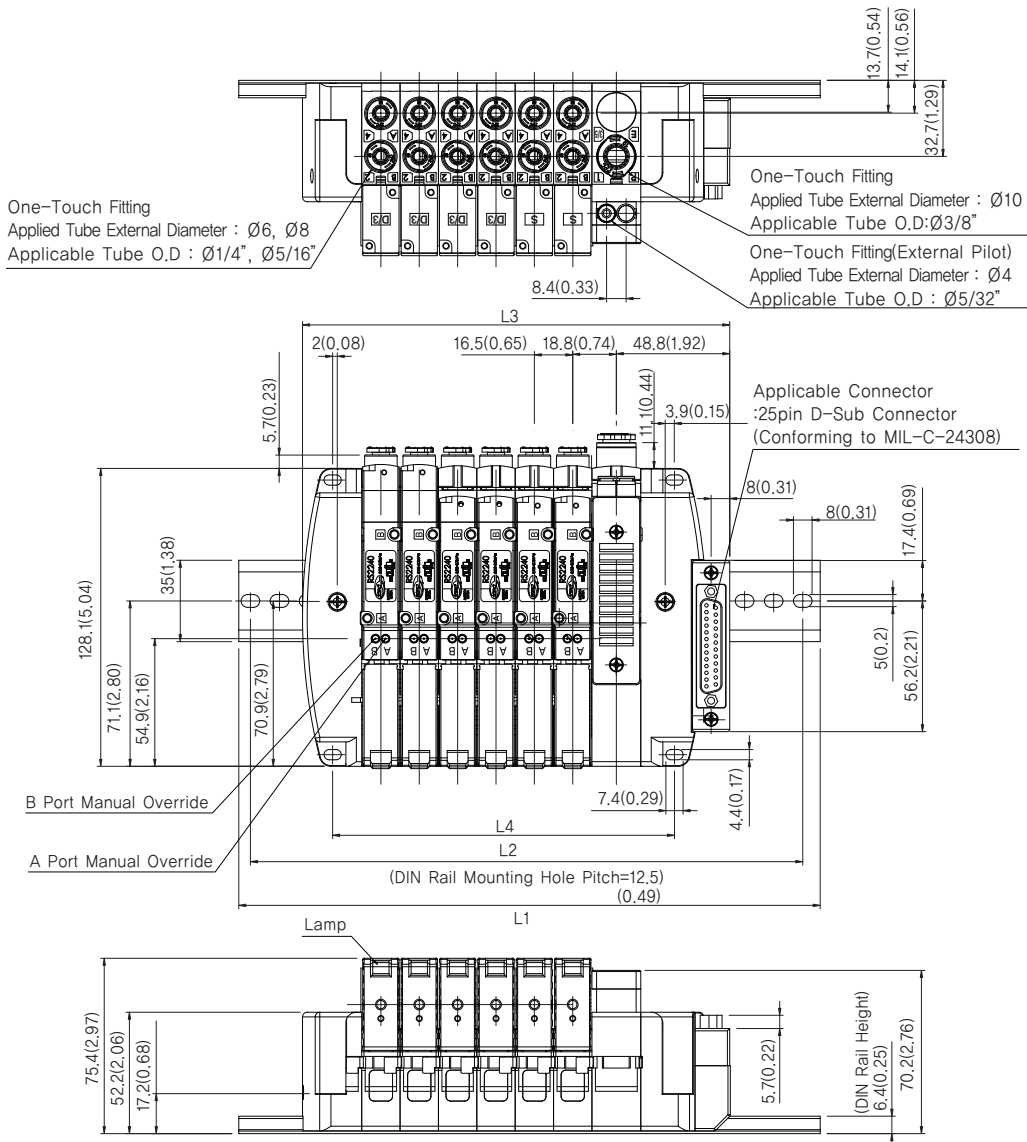
L \ n	2	3	4	5	6	7	8	9	10	11	12	13	14	15	16	17	18	19	20	21	22	23	24	
L1	mm		250				300				400					500				587				
	inch		9.84				11.81				15.7					19.7				23.1				
L2	mm		237.5				287.5				387.5					487.5				574.5				
	inch		9.35				11.3				15.2					19.2				22.6				
L3	mm	117.7	134.2	150.7	167.2	183.7	200.2	216.7	233.2	249.7	287.2	303.7	320.2	336.7	353.2	369.7	386.2	402.7	419.2	435.7	452.2	468.7	485.2	501.7
	inch	4.63	5.28	5.93	6.58	7.23	7.88	8.53	9.18	9.83	11.3	11.95	12.6	13.25	13.9	14.55	15.2	15.85	16.5	17.15	17.8	18.45	19.1	19.75
L4	mm	81	97.5	114	130.5	147	163.5	180	196.5	213	250.5	267	283.5	300	316.5	333	349.5	366	382.5	399	415.5	432	448.5	465
	inch	3.19	3.84	4.49	5.14	5.79	6.44	7.09	7.74	8.39	9.86	10.51	11.16	11.81	12.46	13.11	13.76	14.4	15.06	15.7	16.36	17	17.66	18.3

Note 1) In case N-connection is additionally installed at Sup/Exh Block, L3 and L4 need to add 21 (0.83) X N from the dimension above.



# Series RS 1000, 2000

## RS2000 (External Pilot type, Flat Cable)



### Dimensions

Units : mm(inch)

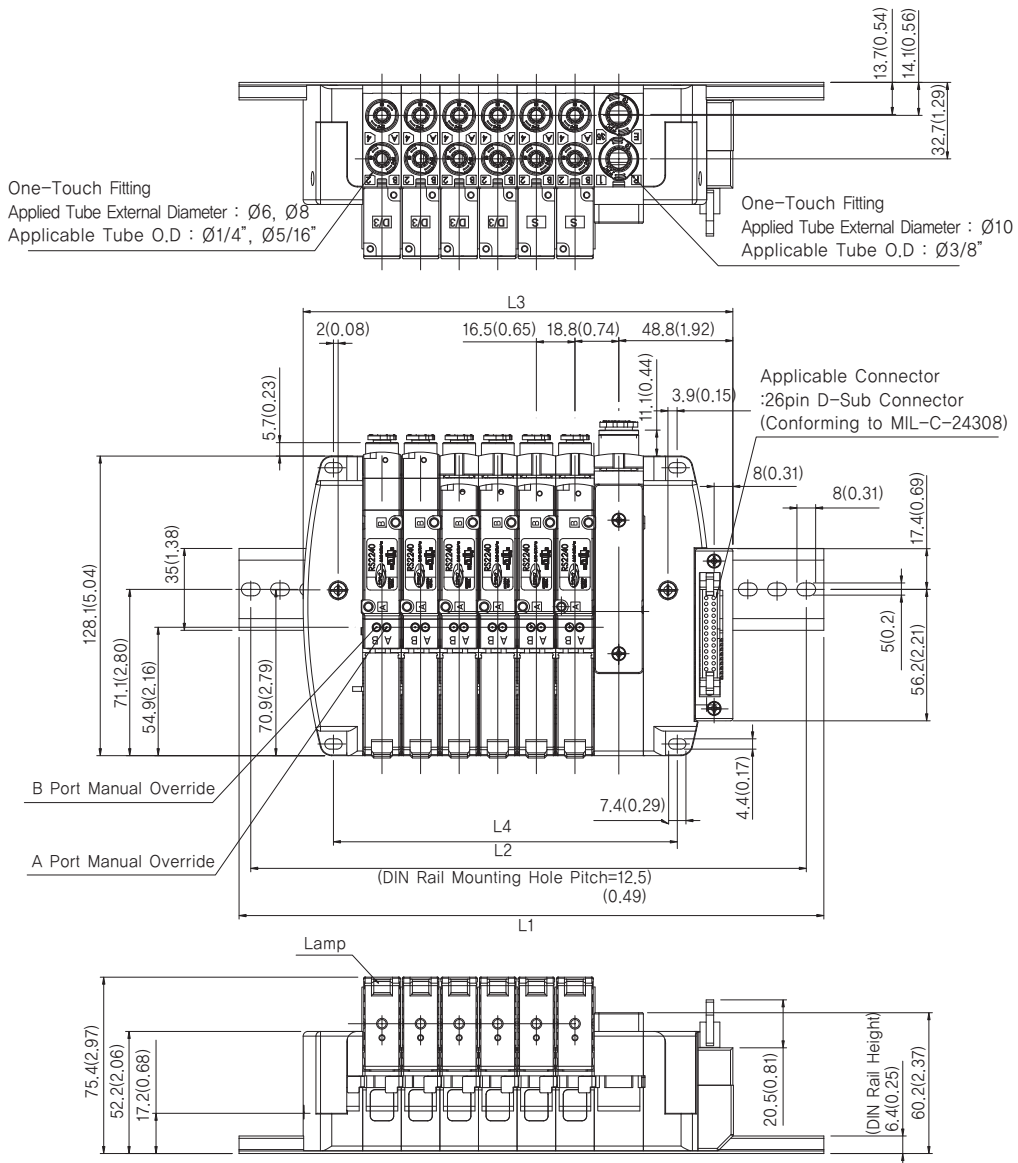
L \ n	2	3	4	5	6	7	8	9	10	11	12	13	14	15	16	17	18	19	20	21	22	23	24	
L1	mm		250				300					400					500				587			
	inch		9.84				11.81					15.7					19.7				23.1			
L2	mm		237.5				287.5					387.5					487.5				574.5			
	inch		9.35				11.3					15.2					19.2				22.6			
L3	mm	117.7	134.2	150.7	167.2	183.7	200.2	216.7	233.2	249.7	287.2	303.7	320.2	336.7	353.2	369.7	386.2	402.7	419.2	435.7	452.2	468.7	485.2	501.7
	inch	4.63	5.28	5.93	6.58	7.23	7.88	8.53	9.18	9.83	11.3	11.95	12.6	13.25	13.9	14.55	15.2	15.85	16.5	17.15	17.8	18.45	19.1	19.75
L4	mm	81	97.5	114	130.5	147	163.5	180	196.5	213	250.5	267	283.5	300	316.5	333	349.5	366	382.5	399	415.5	432	448.5	465
	inch	3.19	3.84	4.49	5.14	5.79	6.44	7.09	7.74	8.39	9.86	10.51	11.16	11.81	12.46	13.11	13.76	14.4	15.06	15.7	16.36	17	17.66	18.3

Note 1) In case N-connection is additionally installed at Sup/Exh Block, L3 and L4 need to add 21 (0.83) X N from the dimension above.

- DW
- DR100
- DR200
- RS1000, 2000**
- RS4000
- SI UNIT
- DV1000
- DV3000
- DV4000
- DS300
- DS3000
- DS5000
- DS2000
- DS6000
- DX1,DX2
- DX1(2)R
- DH
- DP300
- DP3000
- DP5000
- DM
- DT220

# Series RS 1000, 2000

## RS2000 External Dimension Drawing (External Pilot Type, Flat Cable)



### Dimensions

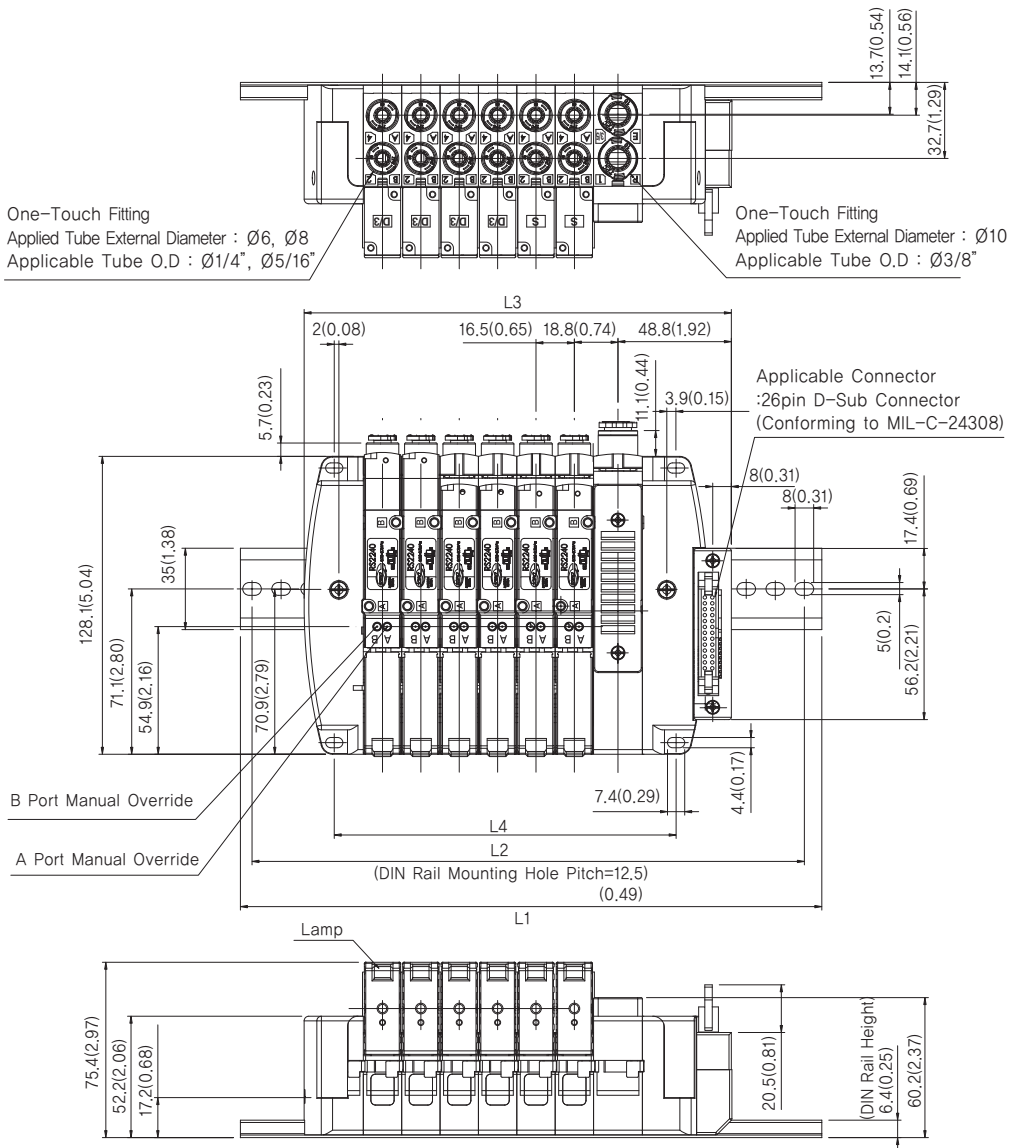
Units : mm(inch)

L \ n	n																								
		2	3	4	5	6	7	8	9	10	11	12	13	14	15	16	17	18	19	20	21	22	23	24	
L1	mm			250					300										500					587	
	inch			9.84					11.81										19.7					23.1	
L2	mm			237.5					287.5										487.5					574.5	
	inch			9.35					11.3										19.2					22.6	
L3	mm	117.7	134.2	150.7	167.2	183.7	200.2	216.7	233.2	249.7	287.2	303.7	320.2	336.7	353.2	369.7	386.2	402.7	419.2	435.7	452.2	468.7	485.2	501.7	
	inch	4.63	5.28	5.93	6.58	7.23	7.88	8.53	9.18	9.83	11.3	11.95	12.6	13.25	13.9	14.55	15.2	15.85	16.5	17.15	17.8	18.45	19.1	19.75	
L4	mm	81	97.5	114	130.5	147	163.5	180	196.5	213	250.5	267	283.5	300	316.5	333	349.5	366	382.5	399	415.5	432	448.5	465	
	inch	3.19	3.84	4.49	5.14	5.79	6.44	7.09	7.74	8.39	9.86	10.51	11.16	11.81	12.46	13.11	13.76	14.4	15.06	15.7	16.36	17	17.66	18.3	

Note 1) In case N-connection is additionally installed at Sup/Exh Block, L3 and L4 need to add 21 (0.83) X N from the dimension above.

# Series RS 1000, 2000

## RS2000 External Dimension Drawing (External Pilot Type, Flat Cable)



### Dimensions

Units : mm(inch)

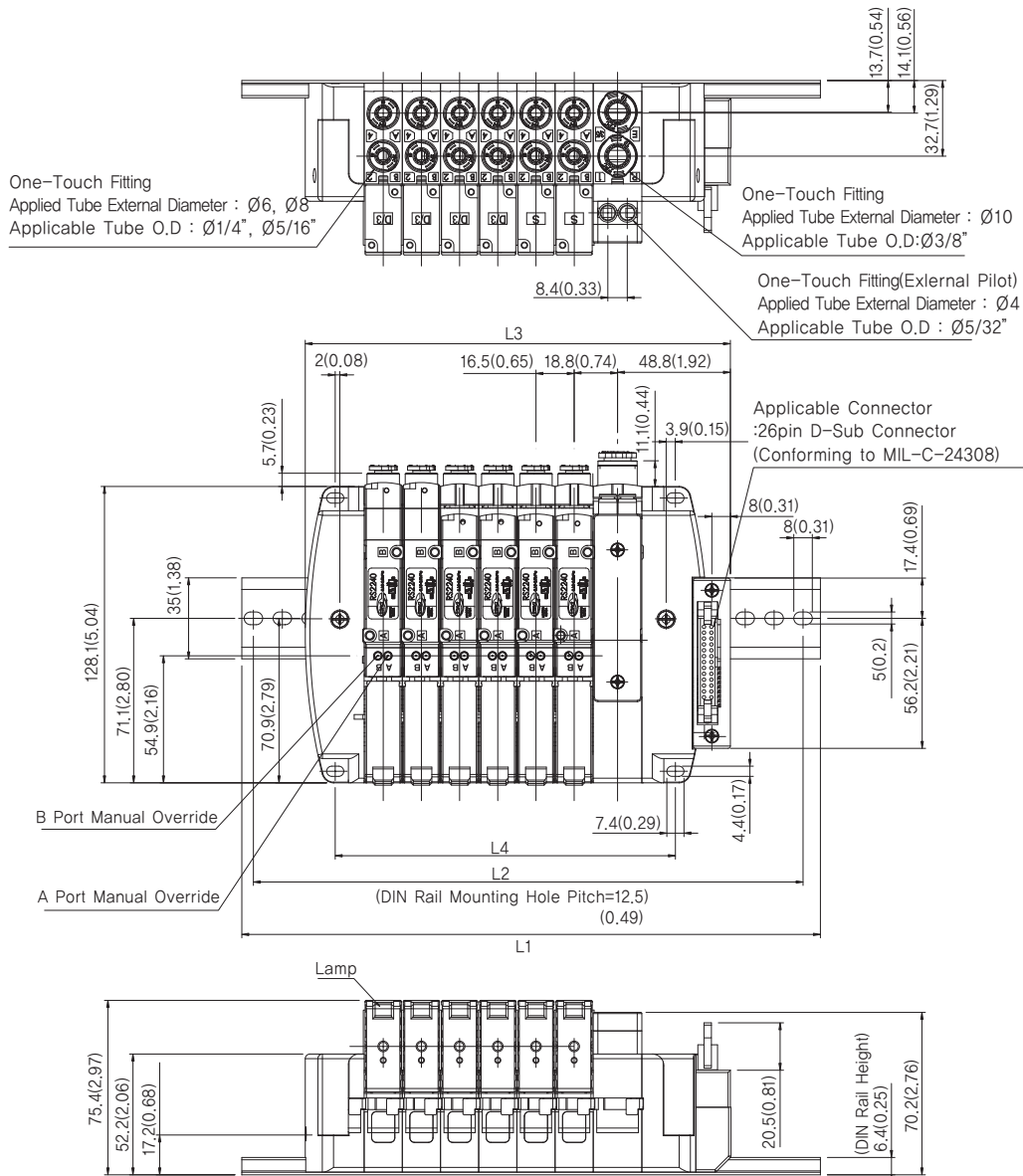
L \ n	2	3	4	5	6	7	8	9	10	11	12	13	14	15	16	17	18	19	20	21	22	23	24	
L1	mm		250				300					400					500				587			
	inch		9.84				11.81					15.7					19.7				23.1			
L2	mm		237.5				287.5					387.5					487.5				574.5			
	inch		9.35				11.3					15.2					19.2				22.6			
L3	mm	117.7	134.2	150.7	167.2	183.7	200.2	216.7	233.2	249.7	267.2	303.7	320.2	336.7	353.2	369.7	386.2	402.7	419.2	435.7	452.2	468.7	485.2	501.7
	inch	4.63	5.28	5.93	6.58	7.23	7.88	8.53	9.18	9.83	10.48	11.13	11.78	12.43	13.08	13.73	14.38	15.03	15.68	16.33	16.98	17.63	18.28	18.93
L4	mm	81	97.5	114	130.5	147	163.5	180	196.5	213	230	246.5	263	279.5	296	312.5	329	345.5	362	378.5	395	411.5	428	444.5
	inch	3.19	3.84	4.49	5.14	5.79	6.44	7.09	7.74	8.39	9.04	9.69	10.34	10.99	11.64	12.29	12.94	13.59	14.24	14.89	15.54	16.19	16.84	17.49

Note 1) In case N-connection is additionally installed at Sup/Exh Block, L3 and L4 need to add 21 (0.83) X N from the dimension above.

- DW
- DR100
- DR200
- RS1000, 2000**
- RS4000
- SI UNIT
- DV1000
- DV3000
- DV4000
- DS300
- DS3000
- DS5000
- DS2000
- DS6000
- DX1,DX2
- DX1(2)R
- DH
- DP300
- DP3000
- DP5000
- DM
- DT220

# Series RS 1000, 2000

## RS2000 External Dimension Drawing (External Pilot Type, Flat Cable)



### Dimensions

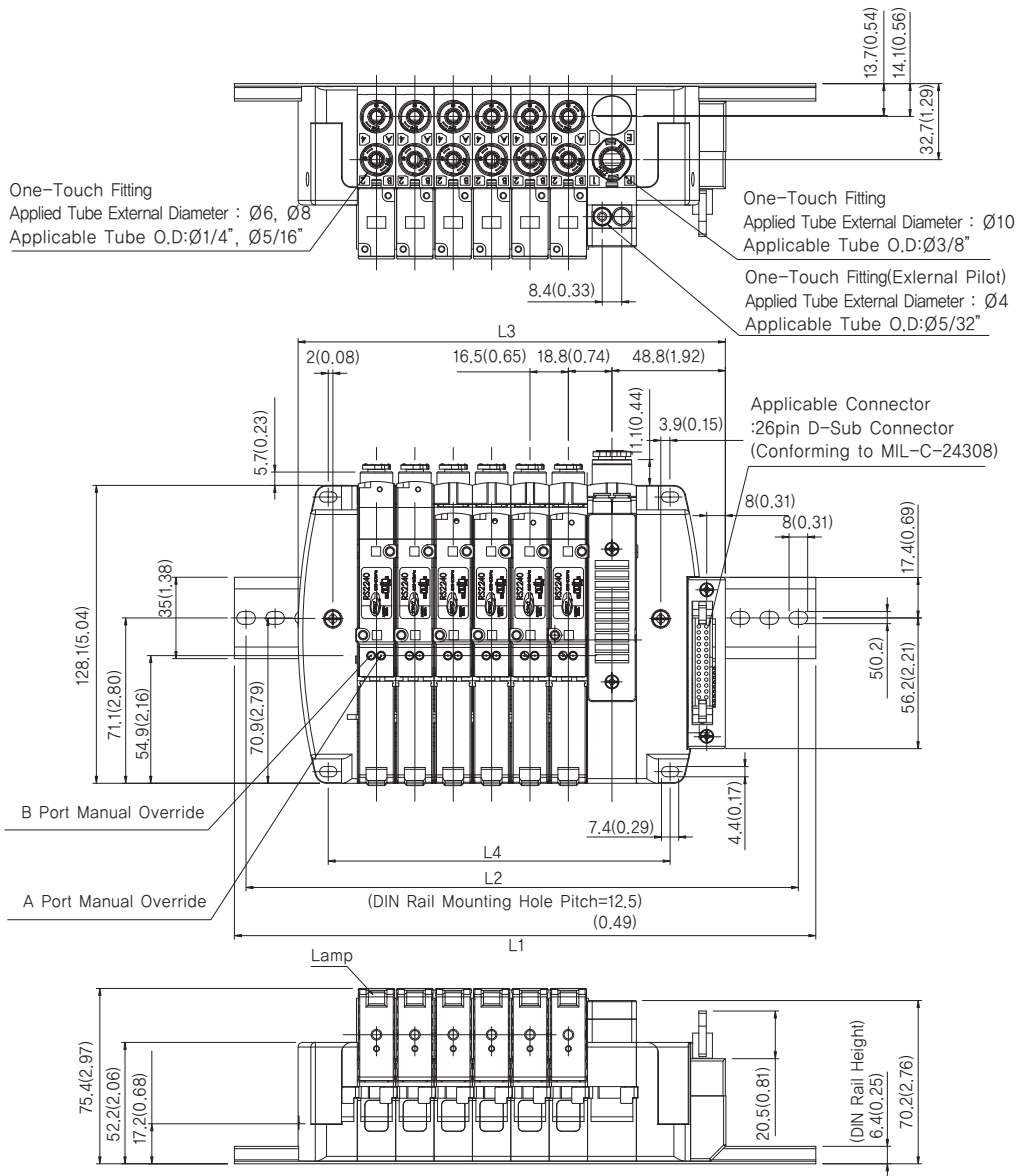
Units : mm(inch)

L	n																								
		2	3	4	5	6	7	8	9	10	11	12	13	14	15	16	17	18	19	20	21	22	23	24	
L1	mm	250				300				400				500				587							
	inch	9.84				11.81				15.7				19.7				23.1							
L2	mm	237.5				287.5				387.5				487.5				574.5							
	inch	9.35				11.3				15.2				19.2				22.6							
L3	mm	117.7	134.2	150.7	167.2	183.7	200.2	216.7	233.2	249.7	287.2	303.7	320.2	336.7	353.2	369.7	386.2	402.7	419.2	435.7	452.2	468.7	485.2	501.7	
	inch	4.63	5.28	5.93	6.58	7.23	7.88	8.53	9.18	9.83	11.3	11.95	12.6	13.25	13.9	14.55	15.2	15.85	16.5	17.15	17.8	18.45	19.1	19.75	
L4	mm	81	97.5	114	130.5	147	163.5	180	196.5	213	250.5	267	283.5	300	316.5	333	349.5	366	382.5	399	415.5	432	448.5	465	
	inch	3.19	3.84	4.49	5.14	5.79	6.44	7.09	7.74	8.39	9.86	10.51	11.16	11.81	12.46	13.11	13.76	14.4	15.06	15.7	16.36	17	17.66	18.3	

Note 1) In case N-connection is additionally installed at Sup/Exh Block, L3 and L4 need to add 21 (0.83) X N from the dimension above.

# Series RS 1000, 2000

## RS2000 External Dimension Drawing(External Pilot Type, Flat Cable)



### Dimensions

Units : mm(inch)

L	n																																					
		2	3	4	5	6	7	8	9	10	11	12	13	14	15	16	17	18	19	20	21	22	23	24														
L1	mm																					250				300				400				500				587
	inch																					9.84				11.81				15.7				19.7				23.1
L2	mm																					237.5				287.5				387.5				487.5				574.5
	inch																					9.35				11.3				15.2				19.2				22.6
L3	mm	117.7	134.2	150.7	167.2	183.7	200.2	216.7	233.2	249.7	267.2	283.7	300.2	316.7	333.2	349.7	366.2	382.7	399.2	415.7	432.2	448.7	465.2	501.7														
	inch	4.63	5.28	5.93	6.58	7.23	7.88	8.53	9.18	9.83	11.3	11.95	12.6	13.25	13.9	14.55	15.2	15.85	16.5	17.15	17.8	18.45	19.1	19.75														
L4	mm	81	97.5	114	130.5	147	163.5	180	196.5	213	230	246.5	263	279.5	296	312.5	329	345.5	362	378.5	395	411.5	428	444.5														
	inch	3.19	3.84	4.49	5.14	5.79	6.44	7.09	7.74	8.39	9.04	9.69	10.34	10.99	11.64	12.29	12.94	13.59	14.24	14.89	15.54	16.19	16.84	17.49														

Note 1) In case N-connection is additionally installed at Sup/Exh Block, L3 and L4 need to add 21 (0.83) X N from the dimension above.

- DW
- DR100
- DR200
- RS1000, 2000**
- RS4000
- SI UNIT
- DV1000
- DV3000
- DV4000
- DS300
- DS3000
- DS5000
- DS2000
- DS6000
- DX1,DX2
- DX1(2)R
- DH
- DP300
- DP3000
- DP5000
- DM
- DT220

## Series RS 1000, 2000

### Notice for RS1000 Plug In Valve Utilization

Please fully understand the contents herein, and check details along relevant types for notices along each series.

#### Notices Along Products (1-1)

#### ⚠ Danger

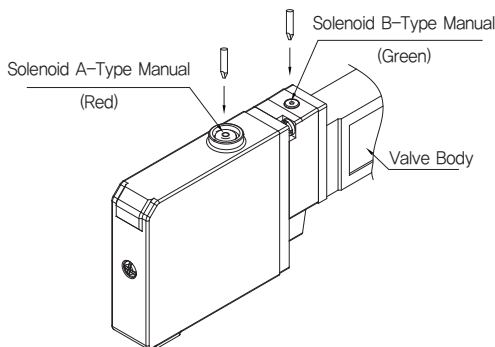
##### [Basic Contents for Users]

- 1) There is possible damage to the product, do not bend a product with excessive load under fully assembled condition.
- 2) In order to prevent malfunctioning of valve, implement inspection after shutting down pressure and power for increasing/decreasing valve.

#### ⚠ Notice

##### [Manual Control of Non-Lock Push Method]

- 1) In application of tools such as screwdriver, softly press manual button up/down.
- 2) If pressing and releasing the button, manual mode is returned to automatic mode.
- 3) In case of pressing manual with an angle, it may cause damage or breakdown.



#### ⚠ Warning

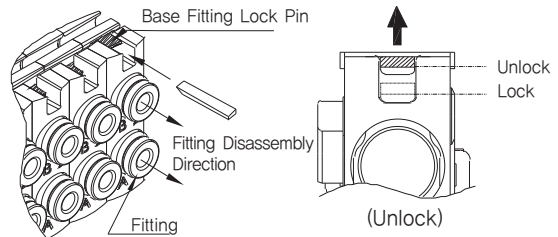
- 1) In case of replacing fittings, please carry out after checking pressure removal.
  - 2) Be cautious if releasing fitting lock pin, A and B fittings are disassembled.
  - 3) Long period continual power supply
    - ① In case of long period continual power supply to electric valve, it can cause performance of electric valve or vicinity equipments owing to temperature elevation of coil.
    - ② In case of long period continual power supply of electric valve with attaching in control panel or insulated space, please make heat-prevention measure within applicable temperature range of valve.
- \* In case of long period continual power supply for electric valve of close 3-connection or more in the same manifold, be cautious as temperature can increase.

#### ⚠ Notice

##### [Fitting Replacement Method]

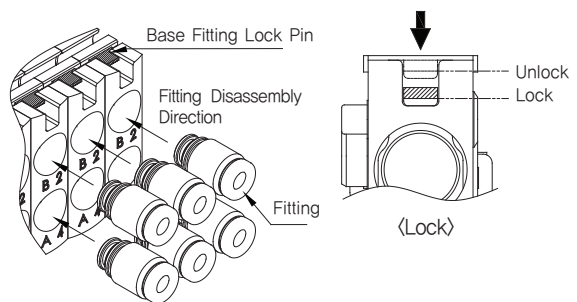
##### - Disassembly -

- 1) Lift base fitting lock pin with a tool like flat-head screwdriver without excessive force using leverage effect till disassemble status.
- 2) After removing lock pin, gradually add force on fittings to extract to forward direction.
- 3) Be cautious not to miss fittings from abrupt disassembly.



##### - Assembly -

- 1) After fully inserting a fitting in A and B port under disassembly status, locate lock pin into lock-status.
- 2) Be cautious that if lock pin is not fully locked, lock pin is possibly damaged or disassembled.



##### [In case of Tube installation]

- 1) Fully and slowly insert tube into fitting.
- 2) Check if tube is extracted by light-pulling after installation of tube.
- 3) Cut torn or overlapped part of tube for proper utilization if any. (It may cause leakage.)

## Series RS 1000, 2000

### Notice for RS1000 Plug In Valve Utilization

Please fully understand the contents herein, and check details along relevant types for notices along each series.

#### Notices Along Products (1-2)

#### **⚠ Danger**

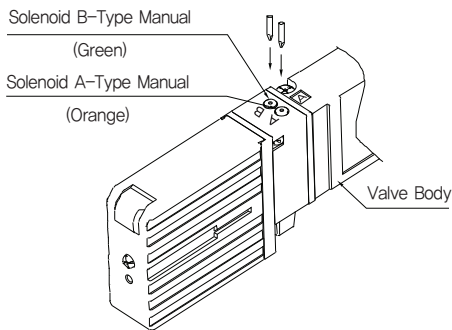
##### [Basic Contents for Users]

- 1) There is possible damage to the product, do not bend a product with excessive load under fully assembled condition.
- 2) In order to prevent malfunctioning of valve, implement inspection after shutting down pressure and power for increasing/decreasing valve.

#### **⚠ Notice**

##### [Manual Control of Non-Lock Push Method]

- 1) In application of tools such as screwdriver, softly press manual button up/down.
- 2) If pressing and releasing a button, manual mode is returned to automatic mode.
- 3) In case of pressing manual with an angle, it may cause damage or breakaway.



#### **⚠ Warning**

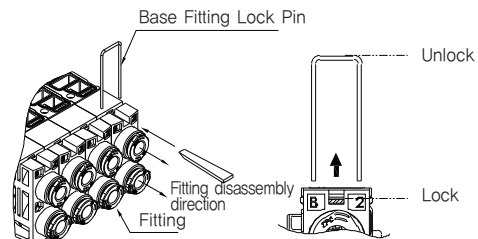
- 1) In case of replacing fittings, please carry out after checking pressure removal.
  - 2) Be cautious if releasing fitting lock pin, A and B fittings are disassembled.
  - 3) Long period continual power supply
    - ① In case of long period continual power supply to electric valve, it can possibly bring effect to performance of the electric valve or vicinity equipments owing to temperature elevation of coil.
    - ② In case of long period continual power supply of electric valve with attaching in control panel or insulated space, please make heat-prevention measure within applicable temperature range of valve.
- \* In case of long period continual power supply for electric valve of close 3-connection or more in the same manifold, be cautious for dramatic temperature increasing.

#### **⚠ Notice**

##### [Fitting Replacement Method]

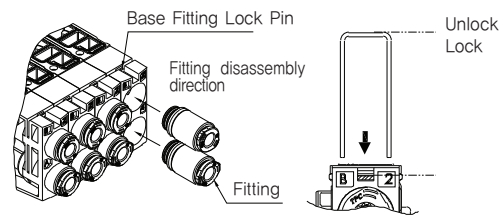
###### - Disassembly -

- 1) Possible to replace fittings with valve installed status for single, double and dual valve.
- 2) Fitting replacement available for 3-position valve after removing valve
- 3) Lift base fitting lock pin with a tool like flat-head screwdriver without excessive force using leverage effect till disassemble status.
- 4) After removing lock pink, gradually add force on fittings to extract to forward direction.
- 5) Be cautious not to miss fittings from abrupt disassembly.



###### - Assembly -

- 1) After fully inserting a fitting in A and B port under disassembly status, locate lock pin into lock-status.
- 2) Be cautious that if lock pin is not fully locked, lock pin is possibly damaged or disassembled.



##### [In case of Tube installation]

- 1) Fully and slowly insert tube into fitting.
- 2) Check if tube is extracted by light-pulling after installation of tube.
- 3) Cut torn or overlapped part of tube for proper utilization if any. (It may cause leakage.)

DW

DR100

DR200

RS1000,  
2000

RS4000

SI UNIT

DV1000  
DV3000  
DV4000

DS300

DS3000

DS5000

DS2000

DS6000

DX1,DX2

DX1(2)R

DH

DP300  
DP3000  
DP5000

DM

DT220

## Series RS 1000, 2000

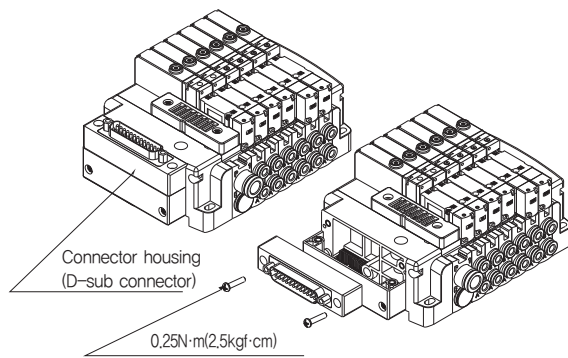
### Notice for RS1000 & RS2000 Plug In Valve Utilization

#### Notices Along Products (2)

#### ⚠ Notice

##### [Notices for Connector Extracting Direction Change]

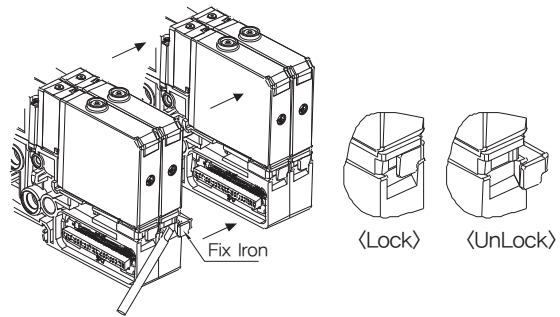
- 1) Horizontal or vertical attaching is available for extracting direction of D-sub and Flat cable connector for disassembly/assembly of connector housing. (But, assemble with proper torque for screw connecting)
- 2) In case of assembly of connector housing, overlap of lead wire may cause disconnection during assembly. Connect with screw after checking lead wire settled inside.
- 3) If excessively pulling D-sub or flat cable connector housing after disassembly, it may cause connection failure owing to extraction of internal connector.



#### ⚠ Notice

##### [Assembly/Disassembly of Valve Block]

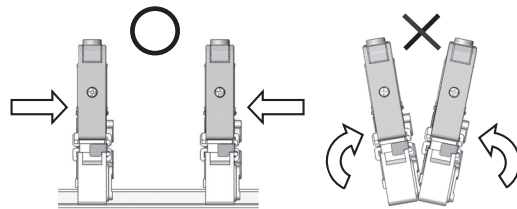
- 1) In case of valve block increase/decrease, bracket should be located in releasing status.
- 2) Bracket is disassembled using leverage effect with inserting fittings like flat-head screwdriver into base home.
- 3) It is released in maximum without applying excessive force on bracket.
- 4) Be cautious, if excessive external force is applied to bracket, it may cause bending or damage.
- 5) Easy disassembly is available if fitting face is opened under released condition of bracket. (But, if it is forced to be disassembled with excessive force, it may cause damage to products.)
- 6) In case of valve block assembly, bracket of assembly target block and its counter-block should be located at disassembly location. (If bracket is located at assembly status, it does not allow assembly, and excessive assembly may cause bending of bracket, which deters assembly)
- 7) Prior to assembly of block, check attachment condition of passage part O-ring and gasket, and locate each passage part and wiring connector horizontally adjusted.
- 8) In case of valve block increase/decrease, it should be assembled or disassembled with Din-rail or tie rod attached condition. In case of rail or tie rod not existed, wiring connector connection is properly made only if valve block is assembled or disassembled with laying on flat floor.
- 9) In order to prevent connection failure of wiring connector, check assembly status additionally.
- 10) Pull bracket till it is fully locked for fixing after attachment. (Unstable block attachment may cause imperfect assembly of bracket, so that pull bracket after complete attachment)



#### ⚠ Warning

##### [Valve Block Assembly Method]

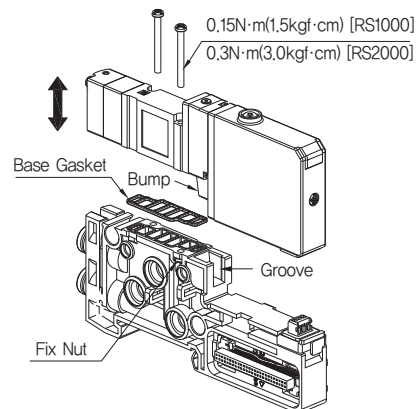
- 1) Assembly must be executed with Din-rail or tie rod attached condition for valve block assembly. In case Din-rail or tie rod does not exist, assemble valve block with laying on flat floor which makes assembly surface horizontal and applying certain degree of force on both hands.
- 2) Improper assembly method may cause damage of connector and connection failure.



#### ⚠ Notice

##### [Assembly/Disassembly of Valve]

- 1) Valve replacement is available with valve block assembled condition.
- 2) Carry out valve after checking gasket settled status and fixing nut of base.
- 3) Insert bump of valve into groove of base in advance during valve assembly. (Only if bump and groove are coincident, power supply connector and mount screw locations are coincident)
- 4) Assemble mount screw of valve at a base with proper torque. (Power connector is automatically connected by screw assembly)





# Series RS 1000, 2000

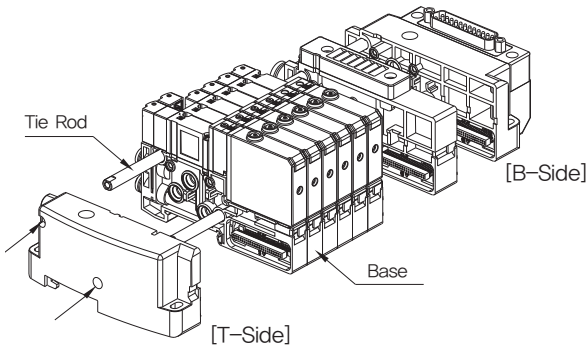
## Notice for RS1000 & RS2000 Plug In Valve Utilization

### Notice Along Products (3)

#### ⚠ Notice

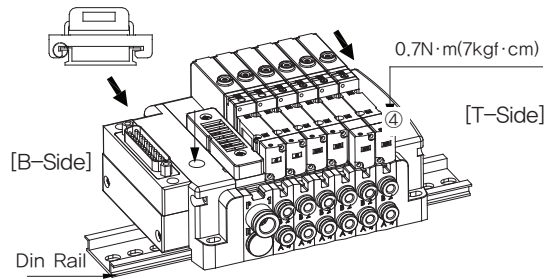
#### [Assembly/Disassembly of Tie Rod Type]

- 1) Use in case failure of installation by installation in severe vibration or multi-connection is used.
- 2) Tie rod suitable for target connection of increase/decrease of valve should be applied.
- 3) In case of base disassembly, disassemble valve block after disassembly of screw of T-side screws (2EA).



#### [Connecting to TB-Side Cover]

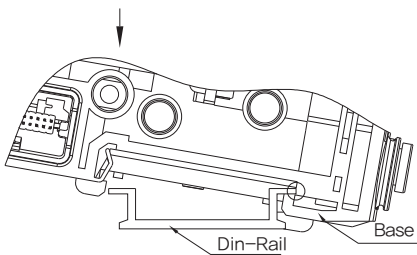
- 1) Use Din rail stopper of T and B-side covers to fix Din rail.
- 2) Since Din rail stopper is possibly assembled unstable as it is shown in a figure below, please connect screw with pulling the cover into arrow direction along the sequence.
- 3) If valve block is not properly assembled or disassembled under Din rail fixed condition, please carry out assembly/disassembly of block after disassembly of Din rail.



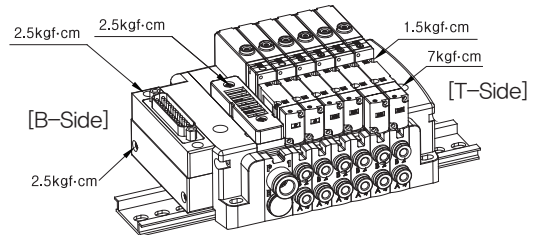
#### [Din-Rail Type Connection]

- 1) It is easy to increase/decrease and attachment of Din rail.
- 2) Please connect Din rail base in application of leverage effect based on lower groove of base.
- 3) Disassemble in the opposite sequence of assembly.

#### (In Case of Base Connection)



#### [Screw Proper Connection Torque]



DW
DR100
DR200
RS1000, 2000
RS4000
SI UNIT
DV1000 DV3000 DV4000
DS300
DS3000
DS5000
DS2000
DS6000
DX1,DX2
DX1(2)R
DH
DP300 DP3000 DP5000
DM
DT220

# Series RS 1000, 2000

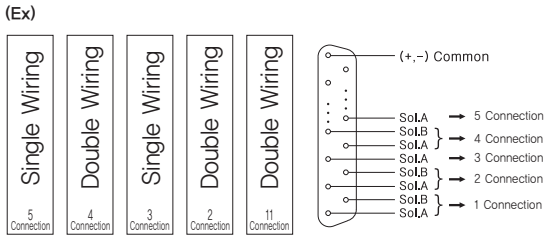
## Notice for RS1000 & RS2000 Plug In Valve Utilization

### Notice Along Products (4)

#### ⚠ Notice

##### [Wiring]

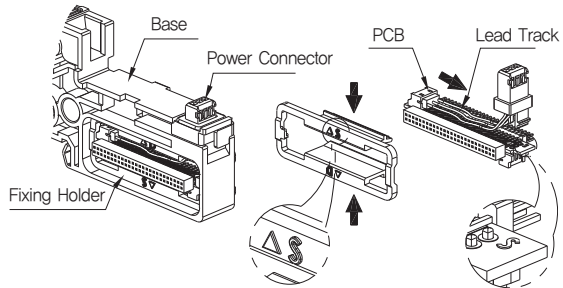
- 1) This product is available for maximum 24 points in case of using D-sub (25 pin) and flat cable (26 pin), and also possible for (+) and (-) Common.
- 2) Available for single and double wiring under the same base, and it is designed for double wiring as a base and possible to replace to single wiring.
- 3) Single wiring is used for over 13-connection. In case internal wire of base is single, only single valve installation is available, and in case of double wire, all types of valve installation including single valve are available.
- 4) In case of inserting single wire into middle connection number, be cautious that contact point sequence on D-sub or flat cable is possibly changed.



#### ⚠ Warning

##### [Replacement to Single Wire]

- 1) Single wiring is set only when control point is not sufficient during valve control.
- 2) Disassembly from base with pressing PCB fixing holder.
- 3) Please disassemble power connector without applying excessive force to lead track, PCB and connector after disassembly of PCB.  
(Applying excessive force may cause damage to lead track)
- 4) Assemble to base with connecting lead track connector of "S" face and carefully inserting header pin directing to inside.
- 5) Assemble under the condition which "S" of fixing holder shows upward.



#### [Piping]

- 1) In case of lack of supply or generation of back-pressure, it is possible to resolve with increment of Sup/Exh block.
- 2) It is possible to add Sup/Exh block without limitation, however, it should be cautious for the length of tie rod or Din rail.
- 3) In case of using a number of blocks, it is less effective to use the same main supply line, so that it is recommended to use additional supply line.

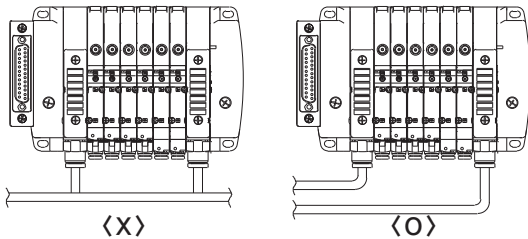


Table for Line Colors Along D-Sub Connector Terminal Number

Terminal Number	Lead Track Color	Terminal Number	Lead Track Color
1	Black	14	Green, Yellow Line
2	Black, White Line	15	Green, White Line
3	Brown	16	Blue
4	Brown, White Line	17	Blue, Yellow Line
5	Red	18	Blue, White Line
6	Red, Yellow Line	19	Violet
7	Red, White Line	20	Violet, White Line
8	Pink	21	Gray
9	Pink, White Line	22	Gray, Red Line
10	Yellow	23	White
11	Yellow, Red Line	24	White, Red Line
12	Yellow, Blue Line	25	White, Blue Line
13	Green		