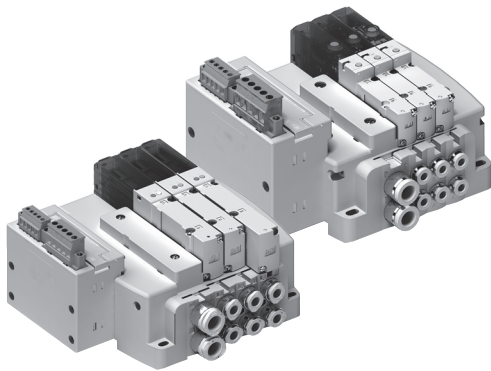


Series **SI UNIT**

Serial Interface Unit (Plug-In Type Solenoid Valve)



- SIMPLE INSTALLATION
- OUTPUT 16-POINT
- RESPONSE OF IP20(RS1000, RS2000) AND IP65(RS4000)

How to Order Manifold Side Cover

RSM **1** **A** - **SU1** **C** - **B** **□** - **T8**

Series

1	RS1000(10mm)
2	RS2000(15mm)
4	RS4000(24mm)

Network Type

SU1	Output only (16-point)
-----	------------------------

Protocol

C	CC-Link
N	DeviceNet

P, E Port Extracting Location

B	"B" Side (2~10 Station)
T	"T" Side (2~10 Station)
A	Both Side (2~16 Station)

Note) In case of RS 4000, possible to mount only B-side

B (2~10 Station)		RS1000 RS2000
T (2~10 Station)		
A (Over 11 Station)		RS4000
B (2~10 Station)		

Pilot Specifications

Blank	Internal Pilot
N	Internal Pilot Silencer Equipped
P	External Pilot
PN	External Pilot Silencer Equipped

Note) In case of RS4000 with silencer equipped, inquire separately.

Weight sheet (Unit : g)

Type	RS1000	RS2000	RS4000
B, T	320	410	2,000
A	390	530	-

P, E Port Size

Symbol	mm	Symbol	Inch	Applied Series
T8	Ø8	U8	Ø5/16"	RS1000
T10	Ø10	U10	Ø3/8"	RS2000
04	P, R : Rc(PT) 1/2	04U	P, R : NPT 1/2	RS4000
	PE, X : Rc(PT) 1/4		PE, X : NPT 1/4	

*Mant is non standard

* Refer to RS Series standard product order type for valve and accessories beside the type above.

Series SI UNIT

RS1(2)000

The diagram illustrates the RS1(2)000 SI Unit with several callouts highlighting its features:

- Comfortable to replace in case screw is worn out.
- Guarantee cost competitiveness
- Elegant exterior and compact structure in width-direction
- Comfortable SI Unit connection (Connector connection)
- Simple manipulation of cover
- Certificate of Vibration/Impact-resistance
- Possible to identify valve power supply condition
- Comfortable for Local/Baud rate setting

- DW
- DR100
- DR200
- RS1000, 2000
- RS4000
- SI UNIT**
- DV1000
DV3000
DV5000
- DS300
- DS3000
- DS5000
- DS2000
- DS6000
- DX1,DX2
- DX1(2)R
- DH
- DP300
DP3000
DP5000
- DM
- DT220

RS4000

The diagram illustrates the RS4000 SI Unit with several callouts highlighting its features:

- Using Terminal board (8-, 7.62 inches)
- Guarantee cost competitiveness
- Elegant exterior and compact structure in width-direction
- For CC-Link
- Comfortable SI Unit connection (Connector connection)
- Solid structure (ALDC material applied)
- Certificate of Vibration/Impact-resistance
- Comfortable to replace in case screw is worn out.
- For Device Net
- Comfortable for Local/Baud rate setting
- Possible to identify valve power supply condition

Series SI UNIT

How to Order Manifold

RSM **4** - **SU1** **C** - **05** **B** - **03**

Series

4	RS4000(24mm)
---	--------------

Network Type

SU1	Output only (16-point)
-----	------------------------

Protocol

C	CC-Link
N	DeviceNet

Valve Station Number

02	2 Stations	Double wiring specification
08	8 Stations	
02	2 Stations	Single wiring specification (Note1)
16	16 Stations	

Note 1) Please present specification in accordance with arrangement assignment.

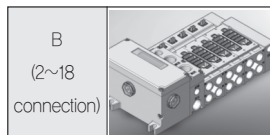
A, B Port Size (mm)

Symbol	A, B Port	P, R, PE, XPort
02	Rc(PT) 1/4	P, R : Rc(PT) 1/2
03	Rc(PT) 3/8	PE,X : Rc(PT) 1/4

A, B Port Size (Inch)

Symbol	A, B Port	P, R, PE, XPort
02U	NPT 1/4	P, R : NPT 1/2
03U	NPT 3/8	PE,X : NPT 1/4

P, E Port Extracting Location



Pilot Specification

Blank	Internal pilot
-------	----------------

* Refer to RS Series standard product order type for valve and accessories beside the type above.

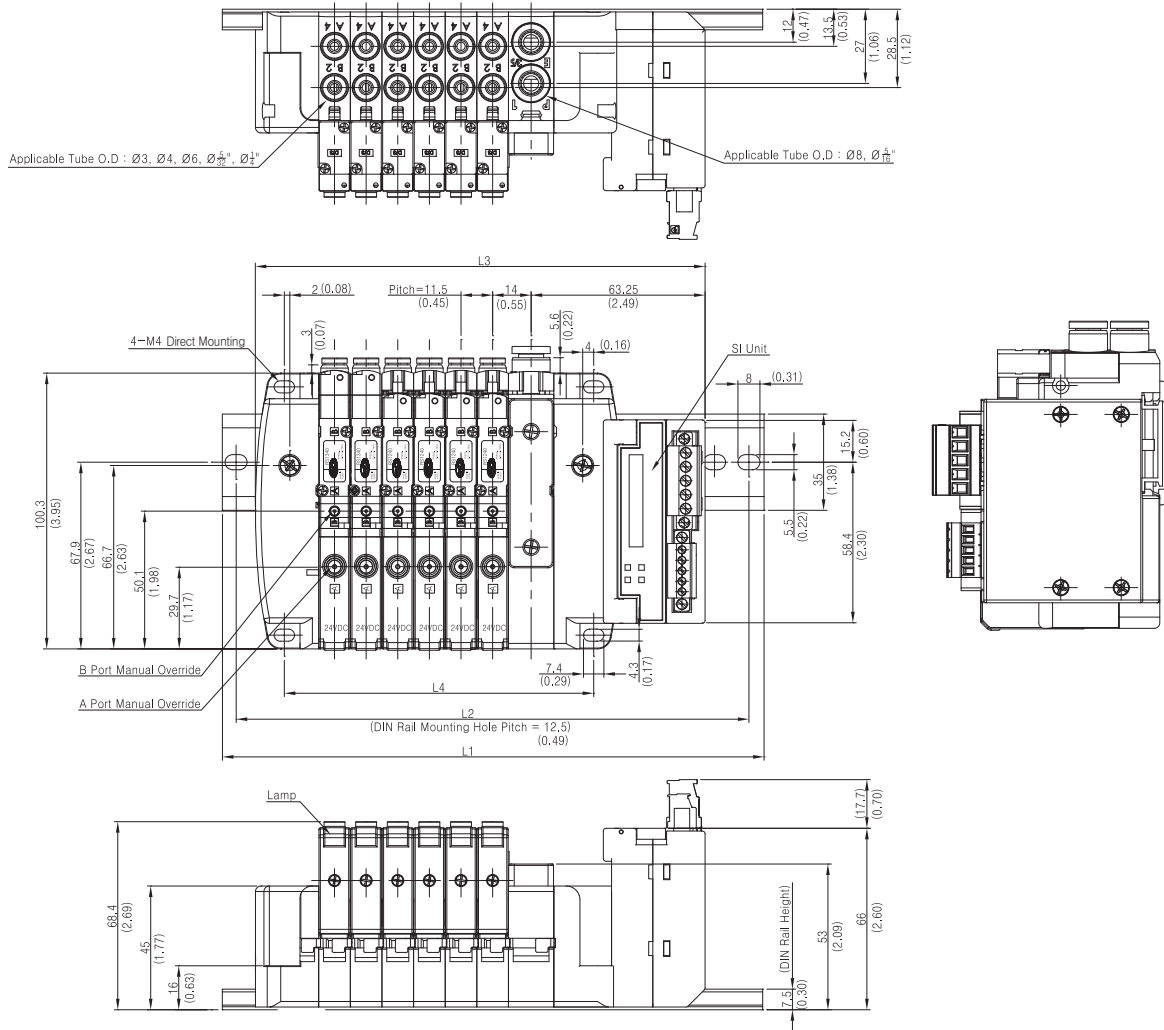
Specification

Item	CC-Link	DeviceNet
Voltage	DC24V	
Range of Voltage	Communication Power	DC24V±10%
	Electric Valve	DC24V +10%/-5%
Output Point	16 Point	
Paragraph Protection	Applied	
Electric Current Consumption	Communication and Internal Power	70 mA or Less
	Valve Power	100 mA or Less
Valve Contact	2A or Less	
Valve Specifications	Output	NPN
	Contact Load	DC24V Which Has Lamp Surge Voltage Protection Circuit Less Than 2.1W
	Insulation Type	Photo Coupler Insulation
Residual Voltage	0.5V or Less	
Environment Resistant Performance	Protection Structure	IP20(RS1000, 2000), IP65(RS4000)
	Vitgare Resistant	AC500V 1min. (Between FG and External Terminal)
	Insulation Resistance	10 MΩ or More, (DC500V, Between FG and External Terminal)
	Vicinity Temperature	During Operation : 0~50°C, During Storage : -20~60°C
	Vicinity Humidity	35%~85% RH(Should be Freeze-Independent)
	Vibration Resistant	5~9Hz(Constant Amplitude) 1.75mm, 9Hz~150Hz(constant Acceleration) 4.9m/s ² 3 Times Each in X, Y and Z Direction
	Impact Resistant	147 m/s ² , 3 Times Each in X, Y and Z direction
Utilization Circumstance	Should be Free Form Corrosive Gas	
Responding System	Ver. 1.10	Volume I (Edition 2.1), Volume III (Edition 1.1)
Address Setting Range	1~64	0 ~ 63
Communication Maximum Distance	1,200 m	500 m
Communication Speed	156k, 625k, 2.5M, 5M, 10 Mbps	125k, 250k, 500 kbps
Responding Message	Polling Message	COS/Cyclic/Polling I/O Message
Slave Type	Remote I/O	Group 2 Only Server
Contact Type	T-Division Type, Multi-Drop Type	T-Division Type, Multi-Drop Type



Series SI UNIT

External Dimension Drawing (RS1000)



Dimensions

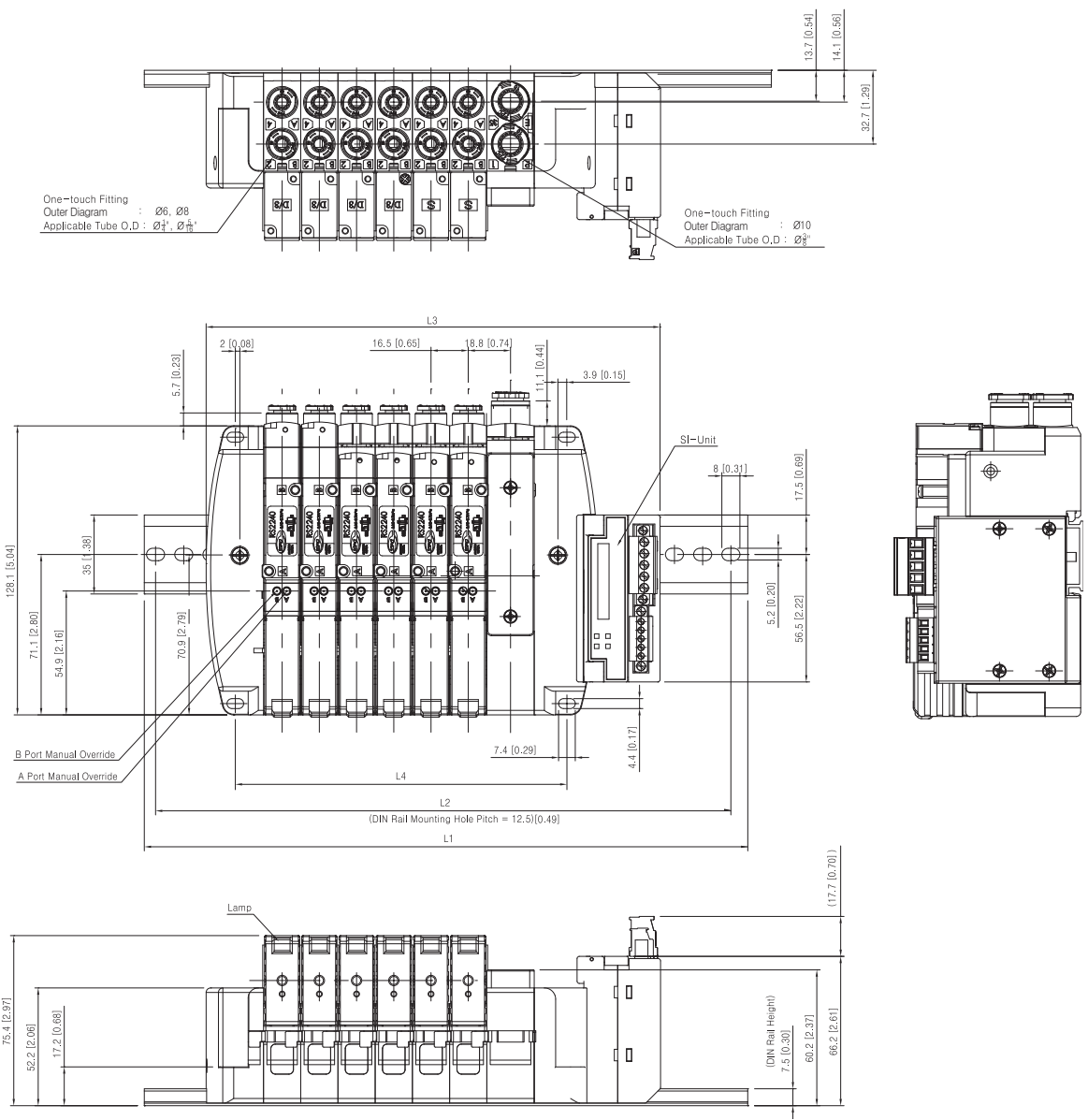
L	n																
		2	3	4	5	6	7	8	9	10	11	12	13	14	15	16	
L1	mm		200					250				300			350		
	inch		7.87					9.84				11.81			13.78		
L2	mm		187.5					237.5				287.5			337.5		
	inch		7.38					9.35				11.32			13.29		
L3	mm	117.5	129	140.5	152	163.5	175	186.5	198	209.5	221	232.5	244	255.5	267	278.5	
	inch	4.63	5.08	5.53	5.98	6.44	6.89	7.34	7.80	8.25	8.70	9.15	9.61	10.06	10.51	10.96	
L4	mm	66.5	78	89.5	101	112.5	124	135.5	147	158.5	169.5	181	192.5	204	215.5	227	
	inch	2.62	3.07	3.52	3.98	4.43	4.88	5.33	5.79	6.24	6.69	7.14	7.59	8.04	8.49	8.94	

Note1) In case of over 11-connection set, Sub/Exh block is mounted at both sides.
 Note2) In case of additional installation of Sup/Exh, L3 and L4 should add 16.5(0.65) X N from standard dimension above.

- DW
- DR100
- DR200
- RS1000, 2000
- RS4000
- SI UNIT**
- DV1000
- DV3000
- DV5000
- DS300
- DS3000
- DS5000
- DS2000
- DS6000
- DX1,DX2
- DX1(2)R
- DH
- DP300
- DP3000
- DP5000
- DM
- DT220

Series SI UNIT

External Dimension Drawing (RS2000)



Dimensions

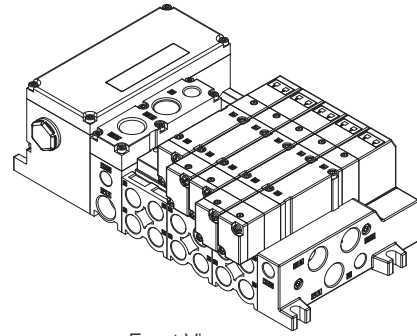
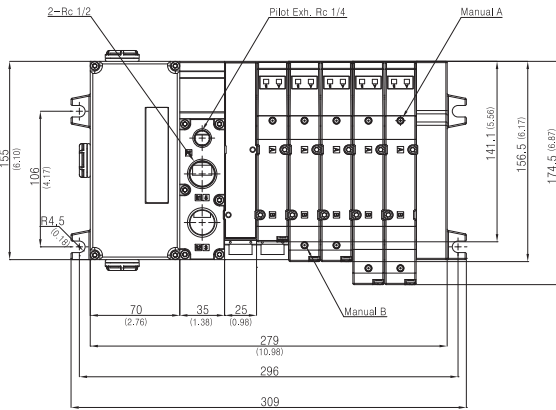
L	n	2	3	4	5	6	7	8	9	10	11	12	13	14	15	16
		mm			250					300				350		
inch			9.84					11.81				13.78				17.22
mm			237.5					287.5				337.5				425
inch			9.35					11.32				13.29				16.73
mm	L3	135.2	151.7	168.2	184.7	201.2	217.7	234.2	250.7	267.2	283.7	300.2	316.7	333.2	349.7	366.2
inch	L3	5.32	5.97	6.62	7.27	7.92	8.57	9.22	9.87	10.52	11.17	11.82	12.47	13.12	13.77	14.42
mm	L4	81	97.5	114	130.5	147	163.5	180	196.5	213	229.5	246	262.5	279	295.5	312
inch	L4	3.19	3.84	4.49	5.14	5.79	6.44	7.09	7.74	8.39	9.04	9.69	10.33	10.98	11.63	12.28

Note1) In case of additional installation of Sup/Exh, L3 and L4 should add 16.5(0.65) X N from standard dimension above.

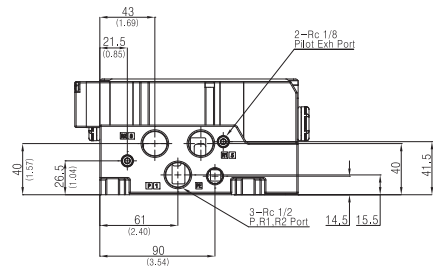
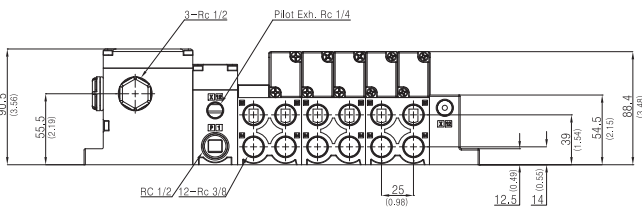


Series SI UNIT

External Dimension Drawing (RS4000)



Front View



Dimensions

(Unit : mm)

L \ n	2	3	4	5	6	7	8	9	10	11	12	13	14	15	16	17	18
L1	209	234	259	284	309	334	359	384	409	434	459	484	509	534	559	584	609
L2	196	241	246	271	296	321	346	371	396	421	446	471	496	521	546	571	596

Note1) Formula L1=25n+159


Note2) Formula L2=25n+146


- DW
- DR100
- DR200
- RS1000, 2000
- RS4000
- SI UNIT**
- DV1000
- DV3000
- DV5000
- DS300
- DS3000
- DS5000
- DS2000
- DS6000
- DX1,DX2
- DX1(2)R
- DH
- DP300
- DP3000
- DP5000
- DM
- DT220

Series SI UNIT

Safety Notices

- ※ Safety notices should be complied since it is to prevent accident and risk with proper and safe utilization of product.
- ※ Notices are divided to "Warning" and "Notice", and their indications are as below,

 **Warning** : In case of violation, it may cause severe injury or death.

 **Notice** : In case of violation, it may cause light injury or damage to product.

Warning

- 1) This product is produced to utilize for general FA equipments. Please contact the company in case of utilization of this product for facilities which possibly generate huge impact on human life and asset (ex : nuclear energy control, medical equipment, vehicles, railway, aviation or safety equipment).
- 2) Do not carry out maintenance or checking with power supplied. It may cause electric shock.
- 3) Disassembly for repair or remodeling is prohibited except technician of manufacturer. It may cause injury or damage.

Notice

- 1) Do not use outdoors.
It may shorten lifespan of product or cause electric shock.
- 2) Be cautious during operation of product.
Do not apply excessive impact (over 100m/s²). It may cause damage or failure of product.
- 3) The product must be utilized within the range of specifications. It may shorten lifespan of product, and cause fire.
If using beside product specifications (voltage, vicinity temperature, impact, etc), it may cause damage or failure of product.
- 4) Secure sufficient space for maintenance.
- 5) Be cautious for wiring. Users should fully understand wire connection method for proper wiring procedures.
Incorrect wiring may cause failure of product, damage, fire or electric shock.
- 6) Carry out wiring where power cable or high-tension power line is not located, otherwise noise or surge is mixed into signal line.
- 7) Do not utilize the product in combustible or explosive gas areas.
In case of using in combustible or explosive gas areas, it may cause injury owing to fire or explosion.
- 8) Do not utilize the product in the locations where vibration, impact, moisture or direct light are existed.
It may cause fire or explosion.
- 9) If heat source exists around the product, radiant heat should be blocked.
- 10) Do not utilize the product in the location where surge generating source exists.
It may cause damage or failure of product, and make a measure not to allow surge come into signal line.
- 11) Do not allow dust or wire leftover come into the product. It may cause fire or device failure.
- 12) Utilization environment should be considered along protection structure.
Utilization of IP20 in water or oil flying location is prohibited, and utilizes IP65 with unused port being closed.

- ※ Refer to additionally provided Operation manual for installation-related details.