

Series SQ2

Two-Touch Fittings

SN
SP2000
SP4000
SQ
SC
SP
SHF · SHS
DC
SQ2
ST
SF

Two-Touch Fittings

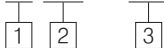


Features

- EFFICIENT IN ENVIRONMENTS WITH VIBRATION
- MADE FROM PLASTICS TO BE SEMI-PERMANENT, HAS GOOD TOLERANCE TO CORROSION AND CHEMICALS
- SUITED FOR LOW AIR PRESSURE DEVICES

How to Order

SQ2 H 06 - 02



1 Model

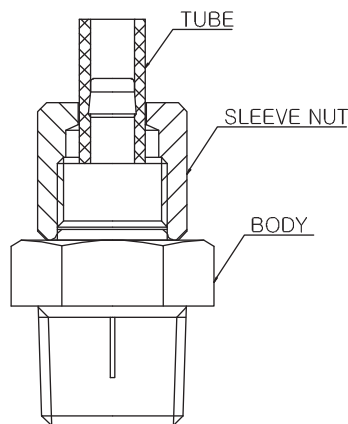
2 Applicable Tube O. D.

- 04 : Ø4
- 06 : Ø6
- 08 : Ø8
- 10 : Ø10
- 12 : Ø12

3 Port Size

- 01 : R 1/8
- 02 : R 1/4
- 03 : R 3/8

Structural Diagram



Standard Specifications

Fluid Type	Air
Max. Operating Pressure	0~150psi (0~9.9kgf/cm ²)
Ambient and Fluid Temperature	0~60 °C
Applicable Tube O.D	Ø4, Ø6, Ø8, Ø10, Ø12

Series SQ

SQ2H

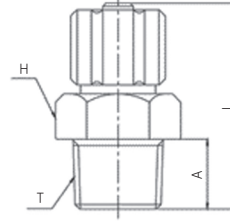


METRIC-BSPT(R)

Unit : mm

MODEL	Tube Size (외경×내경)	T (Thread)	L	A	H
SQ2H 04-01	04 (4×2.5)	R 1/8	24.6	8	12
SQ2H 06-01	06 (6×4)	R 1/8	27.7	8	12
SQ2H 06-02	06 (6×4)	R 1/4	31.7	11	16
SQ2H 08-01	08 (8×5.5)	R 1/8	27.7	8	13
SQ2H 08-02	08 (8×5.5)	R 1/4	31.7	11	16
SQ2H 08-03	08 (8×5.5)	R 3/8	33	12	18
SQ2H 10-02	10 (10×6.5)	R 1/4	32.2	11	17
SQ2H 10-03	10 (10×6.5)	R 3/8	33.4	12	17
SQ2H 12-02	12 (12×9)	R 1/4	34.9	11	17
SQ2H 12-03	12 (12×9)	R 3/8	36.1	12	19

Note) Tube for two-touch fitting only



SQ2L

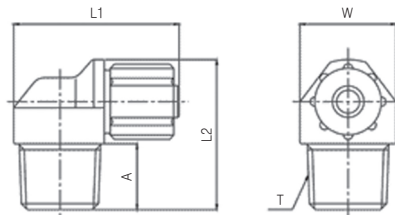


METRIC-BSPT(R)

Unit : mm

MODEL	Tube Size (외경×내경)	T (Thread)	L1	L2	A	W
SQ2L 04-01	04 (4×2.5)	R 1/8	23.6	20	8	12
SQ2L 06-01	06 (6×4)	R 1/8	26.7	20	8	12
SQ2L 06-02	06 (6×4)	R 1/4	30.1	23	11	16
SQ2L 08-01	08 (8×5.5)	R 1/8	28.7	22	8	14
SQ2L 08-02	08 (8×5.5)	R 1/4	30.1	25	11	16
SQ2L 08-03	08 (8×5.5)	R 3/8	32.7	26	12	18
SQ2L 10-02	10 (10×6.5)	R 1/4	30.6	27	11	17
SQ2L 10-03	10 (10×6.5)	R 3/8	33.2	28	12	18
SQ2L 12-02	12 (12×9)	R 1/4	35.9	30	11	19
SQ2L 12-03	12 (12×9)	R 3/8	36.9	31	12	19

Note) Tube for two-touch fitting only



Series SQ

SQ2T

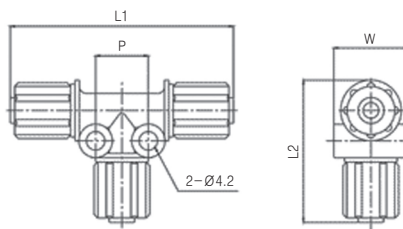


METRIC-BSPT(R)

Unit : mm

MODEL	Tube Size (외경×내경)	L1	L2	W	P
SQ2T 04-00	04 (4×2.5)	40.8	23.4	11	10
SQ2T 06-00	06 (6×4)	48.8	30.3	14	12
SQ2T 08-00	08 (8×5.5)	50.8	32.3	17	12
SQ2T 10-00	10 (10×6.5)	51.5	36	20	13
SQ2T 12-00	12 (12×9)	57.9	40.3	22	14.5

Note) Tube for two-touch fitting only



SN

SP2000

SP4000

SQ

SC

SP

SHF·SHS

DC

SQ2

ST

SF